

SAC-4P-M12MR-M12FR-3L/.../... - Sensor/actuator cable



1697056

<https://www.phoenixcontact.com/us/products/1697056>

Please be informed that the data shown in this PDF document is generated from our online catalog. Please find the complete data in the user documentation. Our general terms of use for downloads are valid.



Sensor/actuator cable, 4-position, Variable cable type, Plug angled M12, coding: A, with 3 LEDs, on Socket angled M12, coding: A, with 3 LEDs, cable length: Free input (0.2 ... 40.0 m)

Your advantages

- Easy and safe: 100 % electrically tested plug-in components
- Convenient: increased machine availability thanks to quick and easy diagnostics

Commercial data

| | |
|------------------------|--------------------------------|
| Item number | 1697056 |
| Packing unit | 1 pc |
| Minimum order quantity | 1 pc |
| Note | Made to order (non-returnable) |
| Sales key | BF17 |
| Product key | AF1CCA |
| Customs tariff number | 85444290 |
| Country of origin | PL |

SAC-4P-M12MR-M12FR-3L/.../... - Sensor/actuator cable



1697056

<https://www.phoenixcontact.com/us/products/1697056>

Technical data

Product properties

| | |
|----------------------|------------------------|
| Product type | Sensor/actuator cable |
| Application | Standard |
| | Robots and drag chains |
| Number of positions | 4 |
| No. of cable outlets | 1 |
| Shielded | no |
| Coding | A |

Insulation characteristics

| | |
|----------------------|----|
| Overvoltage category | II |
| Degree of pollution | 3 |

Material specifications

| | |
|--|---|
| Flammability rating according to UL 94 | HB |
| Seal material | NBR |
| Material of grip body | TPU, hardly inflammable, self-extinguishing |
| Contact material | CuSn |
| Contact surface material | Ni/Au |
| Contact carrier material | TPU GF |
| Material for screw connection | Zinc die-cast, nickel-plated |

Electrical properties

| | |
|-----------------------|----------------------------|
| Insulation resistance | $\geq 100 \text{ M}\Omega$ |
| Nominal voltage U_N | 24 V DC |
| Nominal current I_N | 4 A |

Mechanical properties

Mechanical data

| | |
|-----------------------------|------------|
| Insertion/withdrawal cycles | ≥ 100 |
|-----------------------------|------------|

Signaling

| | |
|------------------------|--------|
| Status display | 3 LEDs |
| Status display present | yes |

Connection data

Conductor connection

| | |
|-------------------|------------------------|
| Tightening torque | 0.4 Nm (M12 connector) |
|-------------------|------------------------|

Connector

Connection 1

SAC-4P-M12MR-M12FR-3L/.../... - Sensor/actuator cable



1697056

<https://www.phoenixcontact.com/us/products/1697056>

| | |
|---------------------|-----------------|
| Type | Plug angled M12 |
| Number of positions | 4 |
| Coding type | A |

Connection 2

| | |
|---------------------|-------------------|
| Type | Socket angled M12 |
| Number of positions | 4 |
| Coding type | A |

Cable/line

| | |
|--------------|-----------------------------|
| Cable length | Free input (0.2 ... 40.0 m) |
|--------------|-----------------------------|

PUR halogen-free black [PUR]

| | |
|---|--|
| Cable weight | 30 kg/km |
| UL AWM Style | 20549 / 10493 (80°C/300 V) |
| Number of positions | 4 |
| Shielded | no |
| Cable type | PUR halogen-free black [PUR] PUR halogen-free black PUR |
| Conductor structure signal line | 42x 0.10 mm |
| AWG signal line | 22 |
| Conductor cross-section | 4x 0.34 mm ² (Signal line) |
| Wire diameter incl. insulation | 1.27 mm ±0.02 mm |
| External cable diameter | 4.20 mm ±0.15 mm |
| Outer sheath, material | PUR |
| External sheath, color | black-gray RAL 7021 |
| Conductor material | Bare Cu litz wires |
| Material wire insulation | PP |
| Single wire, color | brown, white, blue, black |
| Thickness, insulation | ≥ 0.21 mm |
| Thickness, outer sheath | approx. 0.50 mm |
| Overall twist | 4 wires, twisted |
| Max. conductor resistance | ≤ 58 Ω/km |
| Insulation resistance | ≥ 1 GΩ*km |
| Nominal voltage, cable | ≤ 300 V |
| Test voltage | ≥ 3000 V |
| Minimum bending radius, fixed installation | 5 x D |
| Minimum bending radius, flexible installation | 10 x D |
| Smallest bending radius, fixed installation | 21 mm |
| Smallest bending radius, movable installation | 42 mm |
| Dynamic load capacity (bending) | Max. bending cycles: 10000000, Bending radius: 42 mm, Bending radius: 10 x D, Traversing path: 10 m, Traversing rate: 3 m/s, Acceleration: 10 m/s ² |
| Dynamic load capacity (torsion) | Torsion: ±180 °/m, Torsion cycles: ≥5000000, Torsional frequency: 35 cycles/min. |
| Halogen-free | in accordance with DIN VDE 0472 part 815 |

SAC-4P-M12MR-M12FR-3L/.../... - Sensor/actuator cable



1697056

<https://www.phoenixcontact.com/us/products/1697056>

| | |
|---------------------------------|---|
| | in accordance with DIN EN 50267-2-1 |
| Flame resistance | in accordance with UL 758/1581 FT2 |
| | DIN EN 60332-2-2 (20 s) |
| Resistance to oil | in accordance with DIN EN 60811-2-1 |
| Other resistance | Highly resistant to acids, alkaline solutions and solvents |
| | hydrolysis and microbe resistant |
| | partly UV-resistant (in accordance with DIN EN ISO 4892-2-A) |
| | Low adhesion |
| | abrasion-resistant |
| Special properties | Flexible cable conduit capable |
| | Silicone-free |
| | Free of substances which would hinder coating with paint or varnish |
| | flexible |
| Ambient temperature (operation) | -40 °C ... 80 °C (cable, fixed installation) |
| | -25 °C ... 80 °C (Cable, flexible installation) |

PUR/PVC yellow [140]

| | |
|---|---------------------------------------|
| Cable weight | 39 kg/km |
| UL AWM Style | 20549 |
| Number of positions | 4 |
| Shielded | no |
| Cable type | PUR/PVC yellow [140] |
| | PUR/PVC yellow 140 |
| Conductor structure signal line | 42x 0.10 mm |
| AWG signal line | 22 |
| Conductor cross-section | 4x 0.34 mm ² (Signal line) |
| Wire diameter incl. insulation | 1.5 mm ±0.05 mm |
| External cable diameter | 5.20 mm ±0.2 mm |
| Outer sheath, material | PUR |
| External sheath, color | yellow |
| Conductor material | Bare Cu litz wires |
| Material wire insulation | PVC |
| Single wire, color | brown, white, blue, black |
| Thickness, insulation | approx. 0.30 mm (Core insulation) |
| | ≥ 0.38 mm (Outer cable sheath) |
| | approx. 0.35 mm (Inner sheath) |
| Overall twist | 4 wires, twisted |
| Max. conductor resistance | max. 58 Ω/km (at 20 °C) |
| Insulation resistance | ≥ 1 GΩ*km (at 20 °C) |
| Nominal voltage, cable | ≤ 300 V |
| Test voltage | ≥ 3000 V |
| Smallest bending radius, fixed installation | 52 mm |
| Smallest bending radius, movable installation | 52 mm |

SAC-4P-M12MR-M12FR-3L/.../... - Sensor/actuator cable



1697056

<https://www.phoenixcontact.com/us/products/1697056>

| | |
|---------------------------------|---|
| Dynamic load capacity (bending) | Max. bending cycles: 2000000, Bending radius: 52 mm, Traversing path: 5 m, Traversing rate: 3 m/s |
| Flame resistance | in accordance with DIN UL-Style 20549 |
| Ambient temperature (operation) | -25 °C ... 80 °C (cable, fixed installation) -5 °C ... 80 °C (Cable, flexible installation) |

PUR irradiated halogen-free orange [150]

| | |
|---|--|
| Number of positions | 4 |
| Shielded | no |
| Cable type | PUR irradiated halogen-free orange [150] PUR irradiated halogen-free orange 150 |
| Conductor structure signal line | 19x 0.15 mm |
| AWG signal line | 22 |
| Conductor cross-section | 4x 0.34 mm ² (Signal line) |
| Wire diameter incl. insulation | 1.05 mm ±0.05 mm (Signal line) |
| External cable diameter | 5.20 mm ±0.2 mm |
| Outer sheath, material | PUR |
| External sheath, color | orange RAL 2003 |
| Conductor material | Bare Cu litz wires |
| Material wire insulation | PE |
| Single wire, color | brown, white, blue, black |
| Overall twist | 4 wires, twisted |
| Length of twist, overall twist | 27 mm |
| Max. conductor resistance | max. 57 Ω/km |
| Nominal voltage, cable | 320 V (AC) |
| Test voltage | 2500 V (50 Hz, 5 minutes) |
| Smallest bending radius, fixed installation | min. 15 mm |
| Smallest bending radius, movable installation | min. 30 mm |
| Dynamic load capacity (bending) | Max. bending cycles: 5000000, Bending radius: 52 mm, Traversing path: 10 m, Traversing rate: 3 m/s |
| Dynamic load capacity (torsion) | Torsion: ±360 °/m |
| Halogen-free | The cable is halogen-free |
| Other resistance | hydrolysis and microbe resistant Resistant to welding splashes |
| Special properties | Silicone-free Irradiated |
| Ambient temperature (operation) | -50 °C ... 105 °C (cable, fixed installation) -40 °C ... 105 °C (Cable, flexible installation) |

PUR irradiated halogen-free yellow [160]

| | |
|---------------------------------|--|
| Number of positions | 4 |
| Shielded | no |
| Cable type | PUR irradiated halogen-free yellow [160] PUR irradiated halogen-free yellow 160 |
| Conductor structure signal line | 19x 0.15 mm |

SAC-4P-M12MR-M12FR-3L/.../... - Sensor/actuator cable



1697056

<https://www.phoenixcontact.com/us/products/1697056>

| | |
|---|--|
| AWG signal line | 22 |
| Conductor cross-section | 4x 0.34 mm ² (Signal line) |
| Wire diameter incl. insulation | 1.05 mm ±0.05 mm (Signal line) |
| External cable diameter | 5.20 mm ±0.2 mm |
| Outer sheath, material | PUR |
| External sheath, color | yellow |
| Conductor material | Bare Cu litz wires |
| Material wire insulation | PE |
| Single wire, color | brown, white, blue, black |
| Overall twist | 4 wires, twisted |
| Length of twist, overall twist | 27 mm |
| Max. conductor resistance | ≤ 57 Ω/km |
| Nominal voltage, cable | 320 V AC |
| Test voltage | 2500 V AC (50 Hz, 5 minutes) |
| Smallest bending radius, fixed installation | min. 15 mm |
| Smallest bending radius, movable installation | min. 30 mm |
| Dynamic load capacity (bending) | Max. bending cycles: 5000000, Bending radius: 52 mm, Traversing path: 10 m, Traversing rate: 3 m/s |
| Dynamic load capacity (torsion) | Torsion: 360 °/m |
| Halogen-free | The cable is halogen-free |
| Flame resistance | DIN VDE 0472 part 804, test type B |
| Other resistance | hydrolysis and microbe resistant |
| Special properties | Silicone-free Irradiated |
| Ambient temperature (operation) | -50 °C ... 105 °C (cable, fixed installation) -40 °C ... 105 °C (Cable, flexible installation) |

PUR halogen-free orange [180]

| | |
|---------------------------------|--|
| Cable weight | 30 kg/km |
| UL AWM Style | 20549 |
| Number of positions | 4 |
| Shielded | no |
| Cable type | PUR halogen-free orange [180] PUR halogen-free orange 180 |
| Conductor structure signal line | 42x 0.10 mm |
| AWG signal line | 22 |
| Conductor cross-section | 4x 0.34 mm ² (Signal line) |
| Wire diameter incl. insulation | 1.27 mm ±0.02 mm (Signal line) |
| External cable diameter | 4.70 mm ±0.15 mm |
| Outer sheath, material | PUR |
| External sheath, color | orange RAL 2003 |
| Conductor material | Bare Cu litz wires |
| Material wire insulation | PP |
| Single wire, color | brown, white, blue, black |

SAC-4P-M12MR-M12FR-3L/.../... - Sensor/actuator cable



1697056

<https://www.phoenixcontact.com/us/products/1697056>

| | |
|---------------------------------|--|
| Thickness, insulation | ≥ 0.21 mm (Core insulation) |
| | approx. 0.80 mm (Outer cable sheath) |
| Overall twist | 4 wires, twisted |
| Max. conductor resistance | max. 58 Ω/km (at 20 °C) |
| Insulation resistance | ≥ 1 GΩ*km (at 20 °C) |
| Nominal voltage, cable | ≤ 300 V |
| Test voltage | ≥ 3000 V |
| Dynamic load capacity (bending) | Max. bending cycles: 10000000, Bending radius: 47 mm, Traversing path: 10 m, Traversing rate: 3 m/s, Acceleration: 10 m/s ² |
| Dynamic load capacity (torsion) | Torsion: ±180 °/m, Torsion cycles: ≥5000000, Torsional frequency: 35 cycles/min. |
| Halogen-free | in accordance with DIN VDE 0472 part 815 |
| | in accordance with DIN EN 50267-2-1 |
| Flame resistance | in accordance with UL 758/1581 FT2 |
| Resistance to oil | in accordance with DIN EN 60811-2-1 |
| Other resistance | Resistant to salt water |
| | hydrolysis and microbe resistant |
| Special properties | Free of substances which would hinder coating with paint or varnish |
| Ambient temperature (operation) | -40 °C ... 80 °C (cable, fixed installation) |
| | -25 °C ... 80 °C (Cable, flexible installation) |

PUR halogen-free yellow [240]

| | |
|---------------------------------|--------------------------------------|
| Cable weight | 30 kg/km |
| Number of positions | 4 |
| Shielded | no |
| Cable type | PUR halogen-free yellow [240] |
| | PUR halogen-free yellow 240 |
| Conductor structure signal line | 42x 0.10 mm |
| AWG signal line | 22 |
| Conductor cross-section | 4x 0.34 mm ² |
| Wire diameter incl. insulation | 1.27 mm ±0.02 mm |
| External cable diameter | 4.70 mm ±0.15 mm |
| Outer sheath, material | PUR |
| External sheath, color | yellow |
| Conductor material | Bare Cu litz wires |
| Material wire insulation | PP |
| Single wire, color | brown, white, blue, black |
| Thickness, insulation | ≥ 0.21 mm (Core insulation) |
| | approx. 0.80 mm (Outer cable sheath) |
| Overall twist | 4 wires, twisted |
| Length of twist, overall twist | 49.5 mm |
| Max. conductor resistance | max. 58 Ω/km (at 20 °C) |
| Insulation resistance | ≥ 1 GΩ*km (at 20 °C) |

SAC-4P-M12MR-M12FR-3L/.../... - Sensor/actuator cable



1697056

<https://www.phoenixcontact.com/us/products/1697056>

| | |
|---|--|
| Nominal voltage, cable | ≤ 300 V |
| Test voltage | ≥ 3000 V |
| Smallest bending radius, fixed installation | 23.5 mm |
| Smallest bending radius, movable installation | 47 mm |
| Dynamic load capacity (bending) | Max. bending cycles: 10000000, Bending radius: 47 mm, Traversing path: 10 m, Traversing rate: 3 m/s, Acceleration: 10 m/s ² |
| Dynamic load capacity (torsion) | Torsion: ±180 °/m, Torsion cycles: ≥5000000, Torsional frequency: 35 cycles/min. |
| Halogen-free | in accordance with DIN VDE 0472 part 815 |
| | in accordance with DIN EN 50267-2-1 |
| Flame resistance | in accordance with DIN UL-Style 20549 |
| | in accordance with FT1 as per UL 758 |
| Resistance to oil | in accordance with DIN EN 60811-2-1 |
| Other resistance | Highly resistant to acids, alkaline solutions and solvents |
| | hydrolysis and microbe resistant |
| Special properties | Flexible cable conduit capable |
| | Silicone-free |
| | Free of substances which would hinder coating with paint or varnish |
| Ambient temperature (operation) | -40 °C ... 80 °C (cable, fixed installation) |
| | -25 °C ... 80 °C (Cable, flexible installation) |

PUR halogen-free gray [280]

| | |
|---------------------------------|---------------------------------------|
| Cable weight | 30 kg/km |
| UL AWM Style | 20549 / 10493 (80°C/300 V) |
| Number of positions | 4 |
| Shielded | no |
| Cable type | PUR halogen-free gray [280] |
| | PUR halogen-free gray 280 |
| Conductor structure signal line | 42x 0.10 mm |
| AWG signal line | 22 |
| Conductor cross-section | 4x 0.34 mm ² (Signal line) |
| Wire diameter incl. insulation | 1.27 mm ±0.02 mm |
| External cable diameter | 4.20 mm ±0.15 mm |
| Outer sheath, material | PUR |
| External sheath, color | gray RAL 7001 |
| Conductor material | Bare Cu litz wires |
| Material wire insulation | PP |
| Single wire, color | brown, white, blue, black |
| Thickness, insulation | ≥ 0.21 mm |
| Thickness, outer sheath | approx. 0.50 mm |
| Overall twist | 4 wires, twisted |
| Max. conductor resistance | ≤ 58 Ω/km |
| Insulation resistance | ≥ 1 GΩ*km |

SAC-4P-M12MR-M12FR-3L/.../... - Sensor/actuator cable



1697056

<https://www.phoenixcontact.com/us/products/1697056>

| | |
|---|---|
| Nominal voltage, cable | ≤ 300 V |
| Test voltage | ≥ 3000 V |
| Minimum bending radius, fixed installation | 5 x D |
| Minimum bending radius, flexible installation | 10 x D |
| Smallest bending radius, fixed installation | 21 mm |
| Smallest bending radius, movable installation | 42 mm |
| Dynamic load capacity (bending) | Max. bending cycles: 10000000, Bending radius: 10 x D, Traversing path: 10 m, Traversing rate: 3 m/s, Acceleration: 10 m/s ² |
| Halogen-free | in accordance with DIN VDE 0472 part 815 |
| | in accordance with DIN EN 50267-2-1 |
| Flame resistance | in accordance with UL 758/1581 FT2 |
| | DIN EN 60332-2-2 (20 s) |
| Resistance to oil | in accordance with DIN EN 60811-2-1 |
| Other resistance | Highly resistant to acids, alkaline solutions and solvents |
| | hydrolysis and microbe resistant |
| | partly UV-resistant (in accordance with DIN EN ISO 4892-2-A) |
| | Low adhesion |
| Special properties | abrasion-resistant |
| | Flexible cable conduit capable |
| | Silicone-free |
| | Free of substances which would hinder coating with paint or varnish |
| Ambient temperature (operation) | flexible |
| | -40 °C ... 80 °C (cable, fixed installation) |
| | -25 °C ... 80 °C (Cable, flexible installation) |

PVC black [PVC]

| | |
|---------------------------------|---------------------------------------|
| Cable weight | 40 kg/km |
| UL AWM Style | 2464 / 1729 (80°C/300 V) |
| Number of positions | 4 |
| Shielded | no |
| Cable type | PVC black [PVC] |
| | PVC black PVC |
| Conductor structure signal line | 19x 0.15 mm |
| AWG signal line | 22 |
| Conductor cross-section | 4x 0.34 mm ² (Signal line) |
| Wire diameter incl. insulation | 1.26 mm ±0.05 mm |
| External cable diameter | 4.70 mm ±0.15 mm |
| Outer sheath, material | PVC |
| External sheath, color | black RAL 9005 |
| Conductor material | Bare Cu litz wires |
| Material wire insulation | PVC |
| Single wire, color | brown, white, blue, black |
| Thickness, insulation | ≥ 0.23 mm (Core insulation) |

SAC-4P-M12MR-M12FR-3L/.../... - Sensor/actuator cable



1697056

<https://www.phoenixcontact.com/us/products/1697056>

| | |
|---|---|
| Thickness, outer sheath | ≥ 0.76 mm |
| Overall twist | 4 wires, twisted |
| Max. conductor resistance | ≤ 57 Ω/km (at 20 °C) |
| Insulation resistance | ≥ 200 MΩ*km (at 20 °C) |
| Nominal voltage, cable | ≤ 300 V |
| Test voltage | ≥ 3000 V |
| Minimum bending radius, fixed installation | 5 x D |
| Minimum bending radius, flexible installation | 10 x D |
| Smallest bending radius, fixed installation | 24 mm |
| Smallest bending radius, movable installation | 47 mm |
| Flame resistance | As per UL-Style 2464 |
| Resistance to oil | according to DIN EN 60811-2-1, 168 h at 60 °C |
| Ambient temperature (operation) | -25 °C ... 80 °C (cable, fixed installation) -10 °C ... 80 °C (Cable, flexible installation) |

PVC gray [500]

| | |
|---|--|
| Cable weight | 40 kg/km |
| UL AWM Style | 2464 / 1729 (80°C/300 V) |
| Number of positions | 4 |
| Shielded | no |
| Cable type | PVC gray [500] PVC gray 500 |
| Conductor structure signal line | 19x 0.15 mm |
| AWG signal line | 22 |
| Conductor cross-section | 4x 0.34 mm ² (Signal line) |
| Wire diameter incl. insulation | 1.26 mm ±0.05 mm |
| External cable diameter | 4.70 mm ±0.15 mm |
| Outer sheath, material | PVC |
| External sheath, color | gray RAL 7001 |
| Conductor material | Bare Cu litz wires |
| Material wire insulation | PVC |
| Single wire, color | brown, white, blue, black |
| Thickness, insulation | ≥ 0.23 mm (Core insulation) |
| Thickness, outer sheath | ≥ 0.76 mm |
| Overall twist | 4 wires, twisted |
| Max. conductor resistance | max. 57 Ω/km (at 20 °C) |
| Insulation resistance | ≥ 200 MΩ*km (at 20 °C) |
| Nominal voltage, cable | ≤ 300 V |
| Test voltage | ≥ 3000 V |
| Minimum bending radius, fixed installation | 5 x D |
| Minimum bending radius, flexible installation | 10 x D |
| Smallest bending radius, fixed installation | 24 mm |
| Smallest bending radius, movable installation | 47 mm |
| Ambient temperature (operation) | -40 °C ... 80 °C (cable, fixed installation) |

SAC-4P-M12MR-M12FR-3L/.../... - Sensor/actuator cable



1697056

<https://www.phoenixcontact.com/us/products/1697056>

| | |
|---------------------------------|---|
| | -25 °C ... 80 °C (Cable, flexible installation) |
| PVC yellow [540] | |
| Cable weight | 40 kg/km |
| Number of positions | 4 |
| Shielded | no |
| Cable type | PVC yellow [540] PVC yellow 540 |
| Conductor structure signal line | 42x 0.10 mm |
| AWG signal line | 22 |
| Conductor cross-section | 0.34 mm ² (Signal line) |
| Wire diameter incl. insulation | 1.45 mm ±0.05 mm |
| External cable diameter | 5.20 mm ±0.15 mm |
| Outer sheath, material | PVC |
| External sheath, color | yellow |
| Conductor material | Bare Cu litz wires |
| Material wire insulation | PVC |
| Single wire, color | brown, white, blue, black |
| Thickness, insulation | ≥ 0.23 mm (Core insulation) ≥ 0.76 mm (Outer cable sheath) |
| Overall twist | 4 wires, twisted |
| Max. conductor resistance | max. 58 Ω/km (at 20 °C) |
| Insulation resistance | ≥ 1 GΩ*km (at 20 °C) |
| Nominal voltage, cable | ≤ 300 V (AC) |
| Test voltage | ≥ 3000 V |
| Flame resistance | As per UL-Style 2464 according to UL 758/1581 FT1 |
| Resistance to oil | in accordance with DIN EN 60811-2-1 |
| Ambient temperature (operation) | -40 °C ... 80 °C (cable, fixed installation) -25 °C ... 80 °C (Cable, flexible installation) |

PVC yellow 105 °C [542]

| | |
|---------------------------------|--|
| Cable weight | 43 kg/km |
| Number of positions | 4 |
| Shielded | no |
| Cable type | PVC yellow 105 °C [542] PVC yellow 105 °C 542 |
| Conductor structure signal line | 42x 0.10 mm |
| AWG signal line | 22 |
| Conductor cross-section | 0.34 mm ² (Signal line) |
| Wire diameter incl. insulation | 1.55 mm ±0.05 mm |
| External cable diameter | 5.50 mm ±0.2 mm |
| Outer sheath, material | PVC |
| External sheath, color | yellow |
| Conductor material | Bare Cu litz wires |

SAC-4P-M12MR-M12FR-3L/.../... - Sensor/actuator cable



1697056

<https://www.phoenixcontact.com/us/products/1697056>

| | |
|---------------------------------|---|
| Material wire insulation | PVC |
| Single wire, color | brown, white, blue, black |
| Thickness, insulation | ≥ 0.38 mm (Core insulation) ≥ 0.76 mm (Outer cable sheath) |
| Overall twist | 4 wires, twisted |
| Max. conductor resistance | ≤ 58 Ω/km (at 20 °C) |
| Insulation resistance | ≥ 100 MΩ*km (at 20 °C) |
| Nominal voltage, cable | ≤ 300 V |
| Test voltage | ≥ 3000 V |
| Flame resistance | in accordance with UL-Style 2517 in acc. to UL VW1 |
| Ambient temperature (operation) | -25 °C ... 105 °C (cable, fixed installation) |

Gray, highly flexible PUR [800]

| | |
|---|--|
| Note | Due to the extremely robust outer sheath, this cable should only be stripped in 5 cm increments. |
| Cable weight | 33.5 kg/km |
| UL AWM Style | 20549 |
| Number of positions | 4 |
| Shielded | no |
| Cable type | Gray, highly flexible PUR [800] Gray, highly flexible PUR 800 |
| Conductor structure signal line | 42x 0.10 mm |
| AWG signal line | 22 |
| Conductor cross-section | 4x 0.34 mm ² (Signal line) |
| Wire diameter incl. insulation | 1.3 mm ±0.05 mm (Signal line) |
| External cable diameter | 4.80 mm ±0.2 mm |
| Outer sheath, material | PUR |
| External sheath, color | gray RAL 7001 |
| Conductor material | Bare Cu litz wires |
| Material wire insulation | PP |
| Single wire, color | brown, white, blue, black |
| Overall twist | 4 wires, twisted |
| Max. conductor resistance | approx. 53 Ω/km |
| Insulation resistance | ≥ 20 MΩ*km |
| Nominal voltage, cable | 300 V |
| Test voltage | 2000 V |
| Minimum bending radius, fixed installation | 4 x D |
| Minimum bending radius, flexible installation | 7.5 x D |
| Smallest bending radius, fixed installation | 20 mm |
| Smallest bending radius, movable installation | 36 mm |
| Dynamic load capacity (bending) | Max. bending cycles: 10000000, Bending radius: 7,5 x D, Traversing path: 5 m, Traversing rate: 3.3 m/s, Acceleration: 5 m/s ² Max. bending cycles: 15000000, Bending radius: 50 mm, |

SAC-4P-M12MR-M12FR-3L/.../... - Sensor/actuator cable



1697056

<https://www.phoenixcontact.com/us/products/1697056>

| | |
|---------------------------------|---|
| | Traversing path: 0.9 m, Traversing rate: 5 m/s, Acceleration: 30 m/s ² |
| Dynamic load capacity (torsion) | Torsion: ±360 °/m, Torsion cycles: 1000000, Torsional frequency: 35 cycles/min. |
| Halogen-free | in accordance with DIN VDE 0472 part 815 |
| Flame resistance | in accordance with UL 758/1581 FT2 |
| Resistance to oil | in accordance with DIN EN 60811-2-1 |
| Other resistance | Highly resistant to acids, alkaline solutions and solvents Silicone-free |
| Special properties | Cable jacket is welding spark-resistant, recyclable, matt, low-adhesion, abrasion-resistant, flame-retardant, and self-extinguishing Free from silicone and cadmium Free of substances which would hinder coating with paint or varnish |
| Ambient temperature (operation) | -40 °C ... 80 °C (cable, fixed installation) -25 °C ... 80 °C (Cable, flexible installation) |

Environmental and real-life conditions

Ambient conditions

| | |
|---|----------------------------------|
| Degree of protection | IP65 IP67 IP68 |
| Ambient temperature (operation) (male connector/female connector) | -25 °C ... 90 °C (Plug / socket) |

Standards and regulations

| | |
|--------------------------|-----------------|
| Standard designation | M12 connector |
| Standards/specifications | IEC 61076-2-101 |

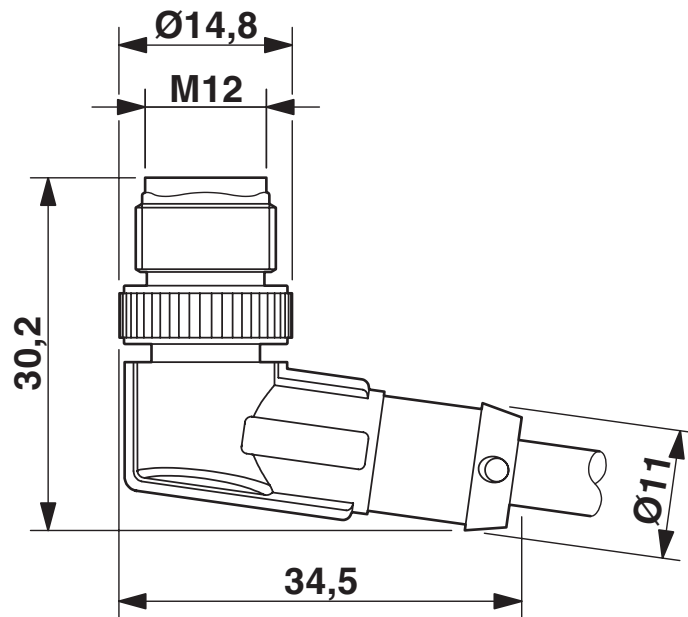
SAC-4P-M12MR-M12FR-3L/.../... - Sensor/actuator cable

1697056

<https://www.phoenixcontact.com/us/products/1697056>

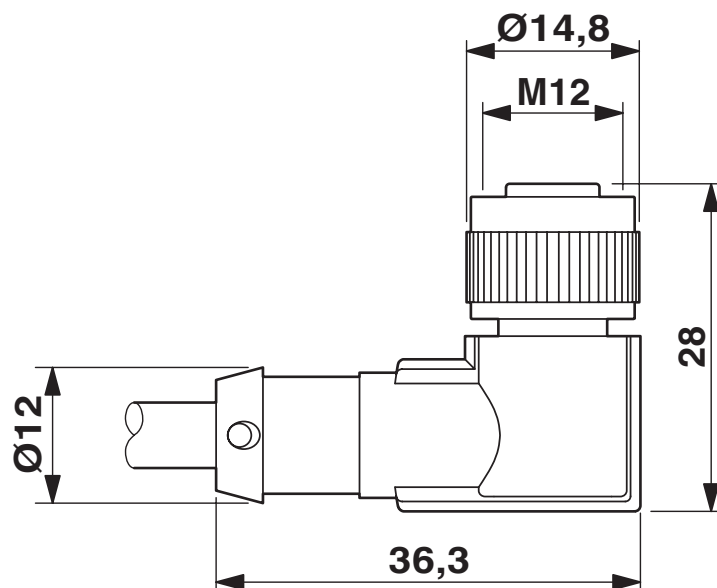
Drawings

Dimensional drawing



M12 x 1 male plug, angled

Dimensional drawing



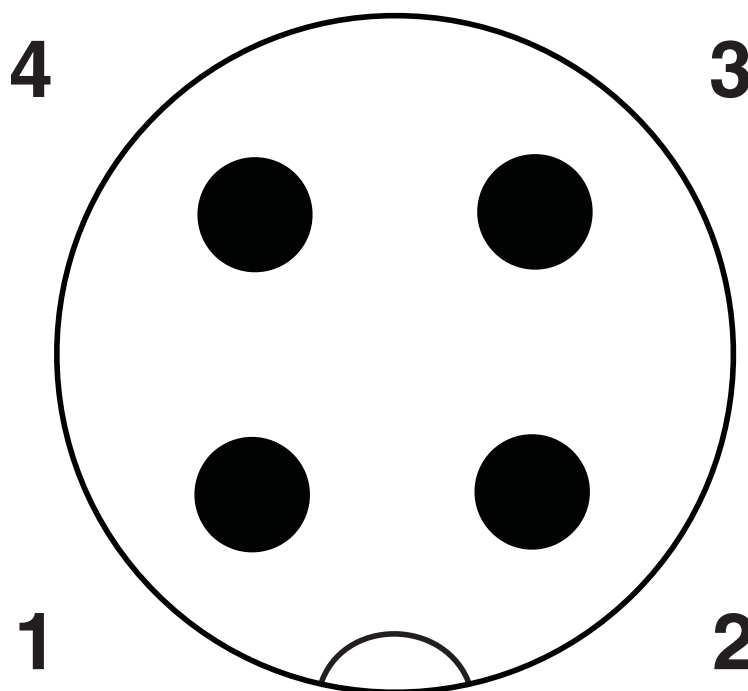
Socket M12 x 1, angled, with LED

SAC-4P-M12MR-M12FR-3L/.../... - Sensor/actuator cable

1697056

<https://www.phoenixcontact.com/us/products/1697056>

Schematic diagram



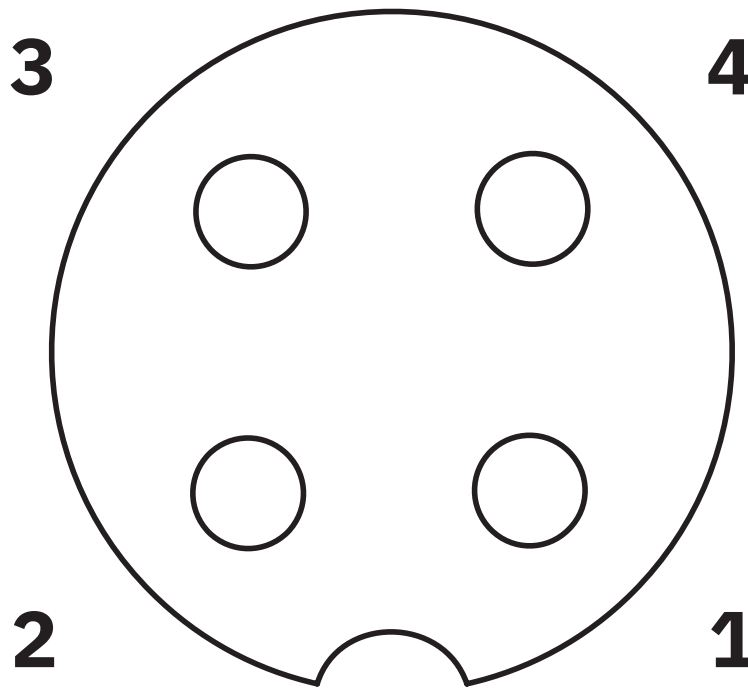
Pin assignment M12 plug, 4-pos., A-coded, view plug side

SAC-4P-M12MR-M12FR-3L/.../... - Sensor/actuator cable

1697056

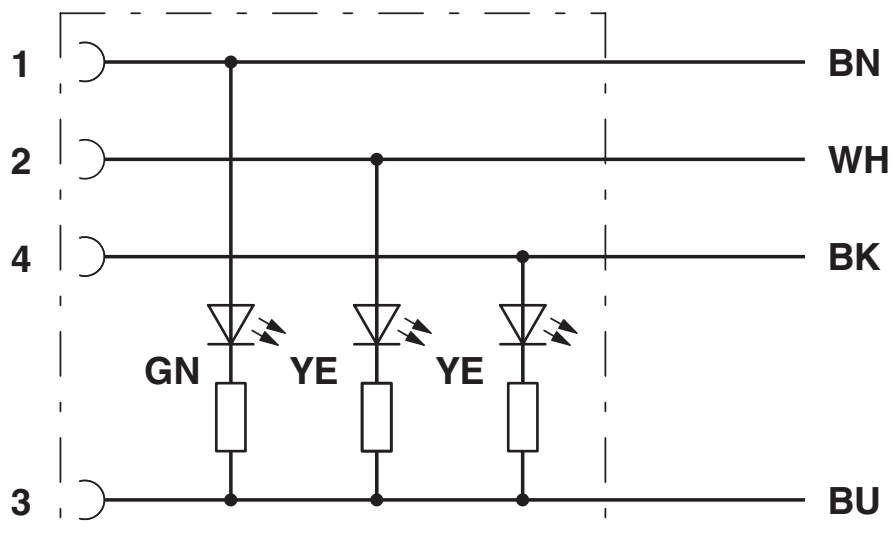
<https://www.phoenixcontact.com/us/products/1697056>

Schematic diagram



Pin assignment M12 socket, 4-pos., A-coded, view female side

Circuit diagram



Contact assignment of M12 plugs / sockets with 3 LEDs

SAC-4P-M12MR-M12FR-3L/.../... - Sensor/actuator cable





1697056

<https://www.phoenixcontact.com/us/products/1697056>

Approvals

To download certificates, visit the product detail page: <https://www.phoenixcontact.com/us/products/1697056>

|  UL Listed Approval ID: FILE E 221474 | | | | |
|--|-----------------------|-----------------------|-------------------|-----------------------------|
| | Nominal voltage U_N | Nominal current I_N | Cross section AWG | Cross section mm^2 |
| keine | | | | |
| | 24 V | 4 A | - | - |

|  cUL Listed Approval ID: FILE E 221474 | | | | |
|---|-----------------------|-----------------------|-------------------|-----------------------------|
| | Nominal voltage U_N | Nominal current I_N | Cross section AWG | Cross section mm^2 |
| keine | | | | |
| | 24 V | 4 A | - | - |

|  EAC-RoHS Approval ID: RU D-DE.HB35.B.00387 | |
|--|--|
|--|--|

SAC-4P-M12MR-M12FR-3L/.../... - Sensor/actuator cable



1697056

<https://www.phoenixcontact.com/us/products/1697056>

Classifications

ECLASS

| | |
|-------------|----------|
| ECLASS-13.0 | 27060311 |
| ECLASS-15.0 | 27060311 |

ETIM

| | |
|-----------|----------|
| ETIM 10.0 | EC001855 |
|-----------|----------|

UNSPSC

| | |
|-------------|----------|
| UNSPSC 21.0 | 26121600 |
|-------------|----------|

SAC-4P-M12MR-M12FR-3L/.../... - Sensor/actuator cable



1697056

<https://www.phoenixcontact.com/us/products/1697056>

Environmental product compliance

EU RoHS

| | |
|---|--------------------|
| Fulfills EU RoHS substance requirements | Yes, No exemptions |
|---|--------------------|

China RoHS

| | |
|--|--|
| Environment friendly use period (EFUP) | EFUP-E |
| | No hazardous substances above the limits |

EU REACH SVHC

| | |
|-------------------------------------|----------------------------|
| REACH candidate substance (CAS No.) | No substance above 0.1 wt% |
|-------------------------------------|----------------------------|

EF3.1 Climate Change

| | |
|---------|---------------|
| CO2e kg | 2.282 kg CO2e |
|---------|---------------|

Phoenix Contact 2026 © - all rights reserved
<https://www.phoenixcontact.com>

Phoenix Contact USA
586 Fulling Mill Road
Middletown, PA 17057, United States
(+717) 944-1300
info@phoenixcon.com