

# PROT-M12 VPE100 - Screw plug



1695744

<https://www.phoenixcontact.com/us/products/1695744>

Please be informed that the data shown in this PDF document is generated from our online catalog. Please find the complete data in the user documentation. Our general terms of use for downloads are valid.



An M12 screw plug for the unoccupied M12 sockets of the sensor/actuator cable, boxes and flush-type connectors, unit pack containing 100 pieces

## Your advantages

- Reliable protection of unoccupied slots during transport and use in the field
- Protected against splash water and dust
- Easy assembly using a screwdriver

## Commercial data

Item number	1695744
Packing unit	100 pc
Minimum order quantity	100 pc
Sales key	BF46
Product key	AF3ZAX
GTIN	4017918593339
Weight per piece (including packing)	1.77 g
Weight per piece (excluding packing)	0.845 g
Customs tariff number	39269097
Country of origin	DE

# PROT-M12 VPE100 - Screw plug

1695744

<https://www.phoenixcontact.com/us/products/1695744>

## Technical data

### Notes

Note on application	Also suitable for M12 push-pull.
---------------------	----------------------------------

### Product properties

Product type	Plug for cable screw gland
Thread type	M12

### Connection data

Tightening torque	0.4 Nm
-------------------	--------

### Dimensions

Dimensional drawing	
Diameter	15 mm

### Material specifications

Material	PA
Flammability rating according to UL 94	V0

### Environmental and real-life conditions

#### Ambient conditions

Degree of protection	IP67
----------------------	------

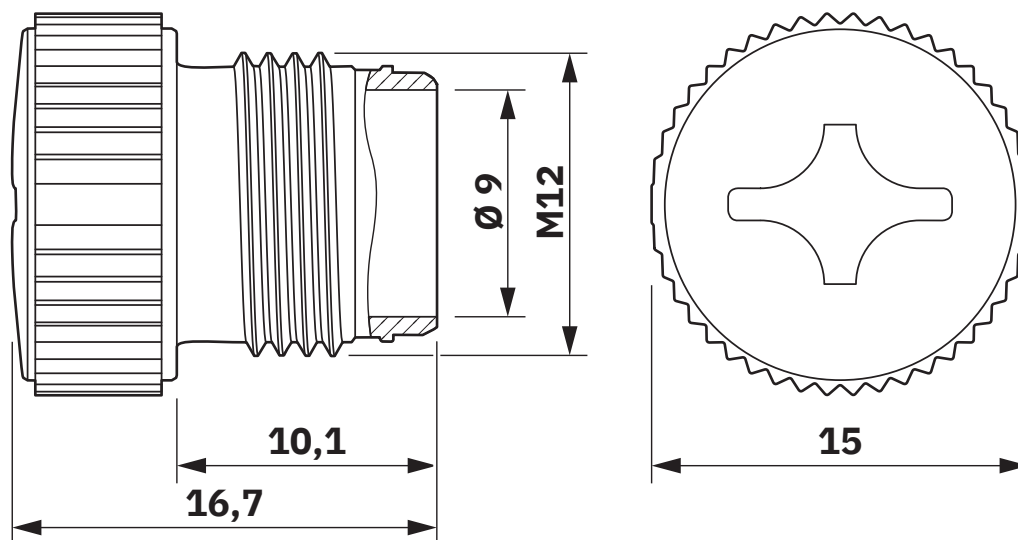
# PROT-M12 VPE100 - Screw plug

1695744

<https://www.phoenixcontact.com/us/products/1695744>

## Drawings

Dimensional drawing



# PROT-M12 VPE100 - Screw plug



1695744

<https://www.phoenixcontact.com/us/products/1695744>

## Approvals

To download certificates, visit the product detail page: <https://www.phoenixcontact.com/us/products/1695744>



**UL Recognized**

Approval ID: E240868

# PROT-M12 VPE100 - Screw plug



1695744

<https://www.phoenixcontact.com/us/products/1695744>

## Classifications

### ECLASS

ECLASS-13.0	23111190
ECLASS-15.0	27440208

### ETIM

ETIM 10.0	EC002374
-----------	----------

### UNSPSC

UNSPSC 21.0	31261500
-------------	----------

# PROT-M12 VPE100 - Screw plug



1695744

<https://www.phoenixcontact.com/us/products/1695744>

## Environmental product compliance

### EU RoHS

Fulfills EU RoHS substance requirements	Yes, No exemptions
---	--------------------

### China RoHS

Environment friendly use period (EFUP)	EFUP-E
	No hazardous substances above the limits

### EU REACH SVHC

REACH candidate substance (CAS No.)	No substance above 0.1 wt%
-------------------------------------	----------------------------

### EF3.1 Climate Change

CO2e kg	0.013 kg CO2e
---------	---------------

Phoenix Contact 2026 © - all rights reserved  
<https://www.phoenixcontact.com>

Phoenix Contact USA  
586 Fulling Mill Road  
Middletown, PA 17057, United States  
(+717) 944-1300  
[info@phoenixcon.com](mailto:info@phoenixcon.com)