

VS-08-A-RJ45/LP-1-IP67 - Panel-mount frame



1689446

<https://www.phoenixcontact.com/us/products/1689446>

Please be informed that the data shown in this PDF document is generated from our online catalog. Please find the complete data in the user documentation. Our general terms of use for downloads are valid.



RJ45 panel mounting frame, IP67, for PCB connection, for square panel cutout, with grommet, without mounting screws, color: gray

Commercial data

Item number	1689446
Packing unit	5 pc
Minimum order quantity	5 pc
Sales key	AB17
Product key	ABNNDC
GTIN	4017918910341
Weight per piece (including packing)	4.993 g
Weight per piece (excluding packing)	4.993 g
Customs tariff number	85389099
Country of origin	DE

VS-08-A-RJ45/LP-1-IP67 - Panel-mount frame



1689446

<https://www.phoenixcontact.com/us/products/1689446>

Technical data

Product properties

Product type	Panel-mount frame
Application	PCB
Type	Version 6
Number of positions	8
Connection profile	RJ45
Number of slots	1

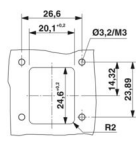
Insulation characteristics

Degree of pollution	2
---------------------	---

Electrical properties

Transmission medium	Copper
---------------------	--------

Dimensions

Dimensional drawing	
Width	32.5 mm
Height	32.5 mm
Depth	20 mm
Length	20 mm

Material specifications

Color	gray
Material	Plastic
Flammability rating according to UL 94	V0
Seal material	NBR
Seal material, flat gasket	NBR
Housing material	Plastic
Housing surface material	PA, light gray
Contact surface material	Au/Ni
Contact carrier material	Polyester GF

Mechanical properties

Mechanical data

Insertion/withdrawal cycles	≥ 1000
-----------------------------	--------

Environmental and real-life conditions

VS-08-A-RJ45/LP-1-IP67 - Panel-mount frame



1689446

<https://www.phoenixcontact.com/us/products/1689446>

Ambient conditions

Degree of protection	IP65/IP67
Ambient temperature (operation)	-40 °C ... 80 °C

Mounting

Mounting type	Front mounting
---------------	----------------

VS-08-A-RJ45/LP-1-IP67 - Panel-mount frame

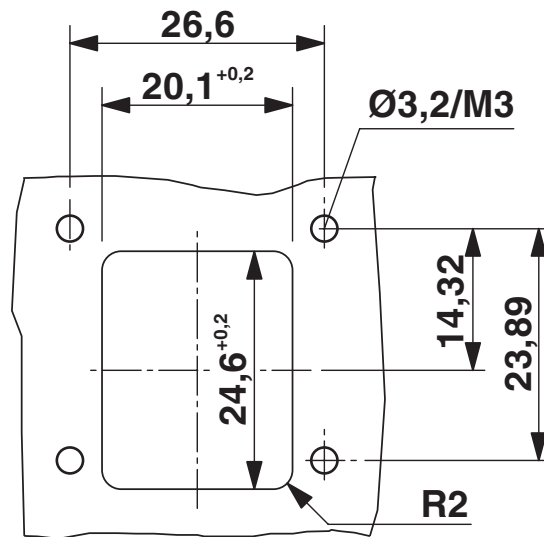


1689446

<https://www.phoenixcontact.com/us/products/1689446>

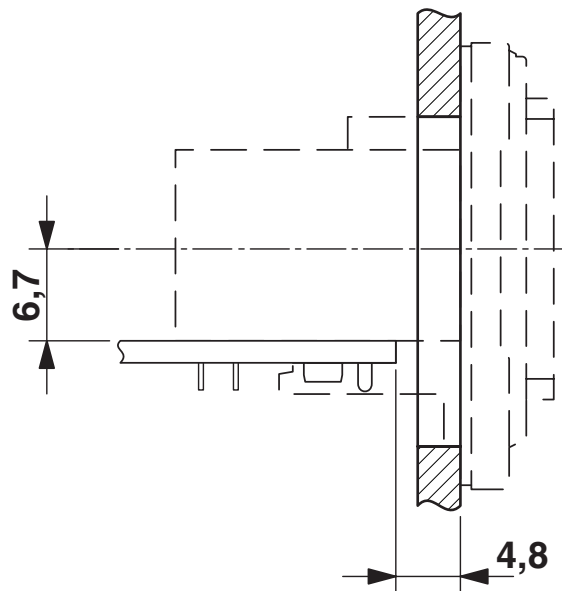
Drawings

Dimensional drawing



Mounting cutout

Dimensional drawing



Mounting cutout

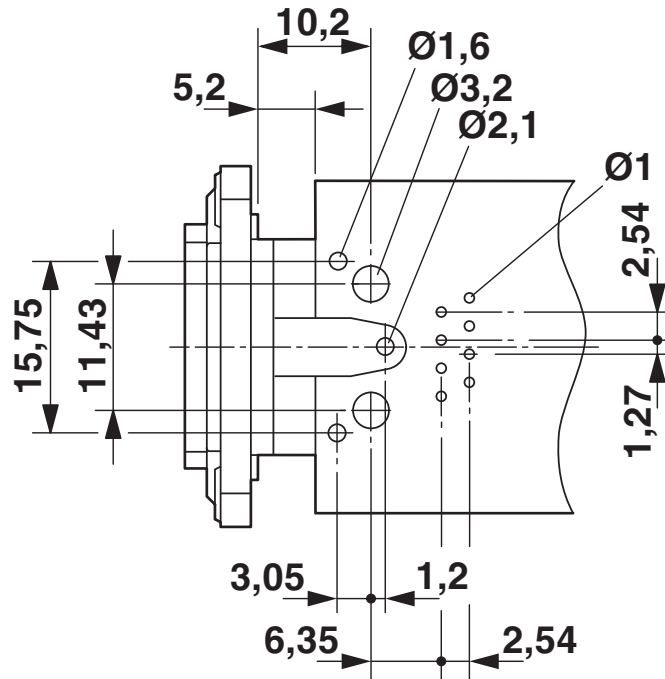
VS-08-A-RJ45/LP-1-IP67 - Panel-mount frame



1689446

<https://www.phoenixcontact.com/us/products/1689446>

Drilling plan/solder pad geometry



Drilling plan for VS-08-BU-RJ45-6/LH-1

VS-08-A-RJ45/LP-1-IP67 - Panel-mount frame



1689446

<https://www.phoenixcontact.com/us/products/1689446>

Classifications

ECLASS

ECLASS-13.0	27440392
ECLASS-15.0	27440210

ETIM

ETIM 10.0	EC002310
-----------	----------

UNSPSC

UNSPSC 21.0	39121400
-------------	----------

VS-08-A-RJ45/LP-1-IP67 - Panel-mount frame



1689446

<https://www.phoenixcontact.com/us/products/1689446>

Environmental product compliance

EU RoHS

Fulfills EU RoHS substance requirements	Yes, No exemptions
---	--------------------

China RoHS

Environment friendly use period (EFUP)	EFUP-E
	No hazardous substances above the limits

EU REACH SVHC

REACH candidate substance (CAS No.)	No substance above 0.1 wt%
-------------------------------------	----------------------------

EF3.1 Climate Change

CO2e kg	0.081 kg CO2e
---------	---------------

Phoenix Contact 2026 © - all rights reserved
<https://www.phoenixcontact.com>

Phoenix Contact USA
586 Fulling Mill Road
Middletown, PA 17057, United States
(+717) 944-1300
info@phoenixcon.com