

# VS-PSC 1,5/5-M - PCB header



1688825

<https://www.phoenixcontact.com/us/products/1688825>

Please be informed that the data shown in this PDF document is generated from our online catalog. Please find the complete data in the user documentation. Our general terms of use for downloads are valid.

POWER-SUBCON header, for mounting side, 5-pos., shielded, green, for wall thicknesses up to 2.0 or 4.5 mm, with spacer pin SW 5L5/4-40 UNC-M 3 x 8



## Commercial data

Item number	1688825
Packing unit	10 pc
Minimum order quantity	1 pc
Note	Made to order (non-returnable)
Sales key	AB19
Product key	ABNCAB
GTIN	4017918189716
Weight per piece (including packing)	8.22 g
Weight per piece (excluding packing)	6.704 g
Customs tariff number	85366990
Country of origin	PL

## Technical data

### Notes

Notes on operation	Only actuate MINI COMBICON connectors when under no load condition. If for operating reasons small loads must be switched, experimental values are available upon request.
--------------------	--

### Product properties

Product type	Contact insert
Type	D-SUB
Number of positions	5

#### Insulation characteristics

Overvoltage category	III
Degree of pollution	3

### Electrical properties

Rated voltage (III/3)	250 V
Rated surge voltage	4 kV
Rated current	8 A
Contact resistance	3 mΩ
Insulation resistance	1 TΩ
Transmission medium	Copper

### Connection data

Connection method	PCB connection
-------------------	----------------

### Dimensions

Width	39.1 mm
Height	13.7 mm
Length	20.8 mm

### Material specifications

Flammability rating according to UL 94	V0
Contact material	Copper alloy
Contact surface material	tin-plated
Contact carrier material	PA

### Mechanical properties

#### Mechanical data

Insertion/withdrawal cycles	≥ 100
-----------------------------	-------

### Environmental and real-life conditions

#### Ambient conditions

# VS-PSC 1,5/5-M - PCB header



1688825

<https://www.phoenixcontact.com/us/products/1688825>

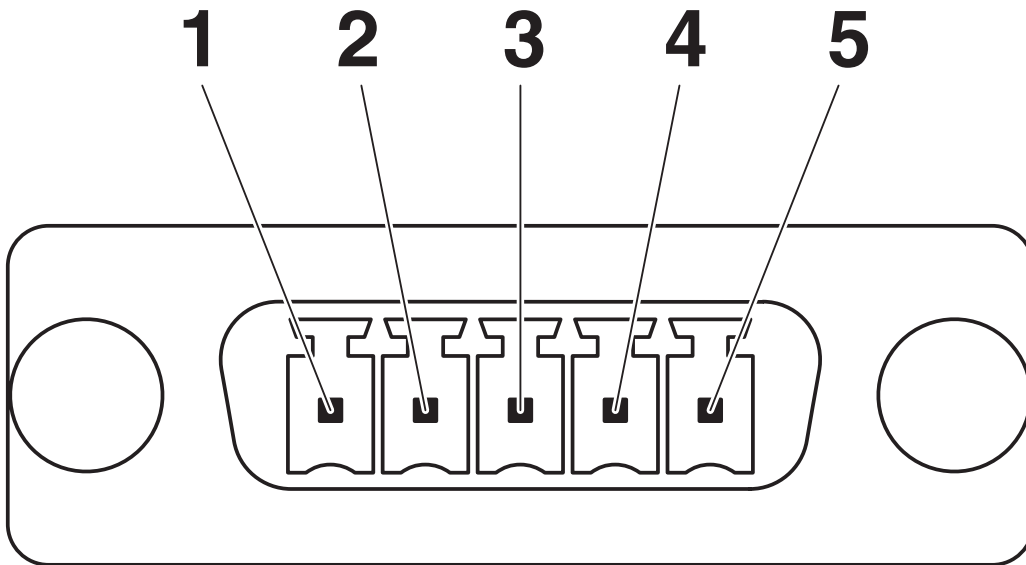
Degree of protection	IP20
Ambient temperature (operation)	-20 °C ... 80 °C

## Mounting

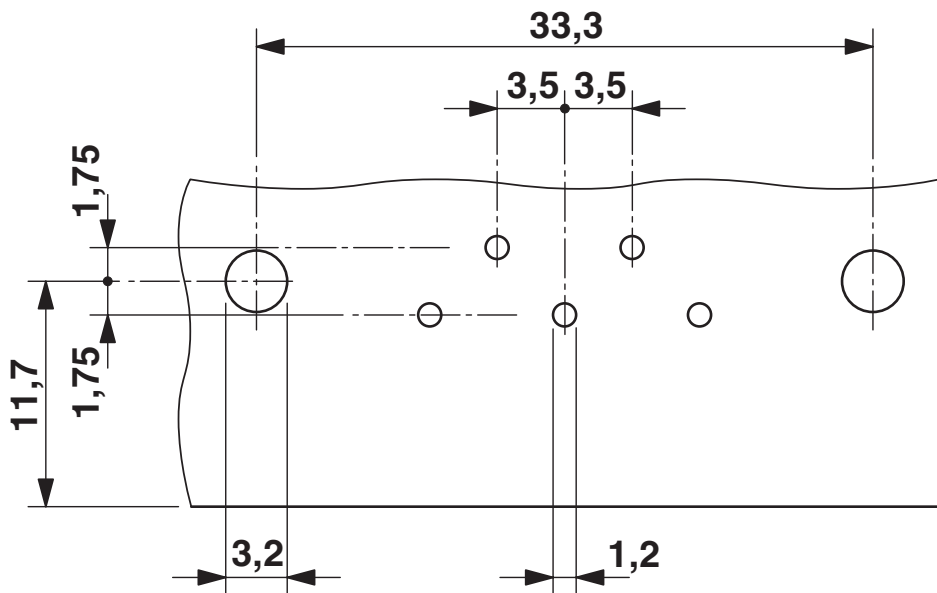
Mounting type	Threads
---------------	---------

## Drawings

Schematic diagram



Drilling plan/solder pad geometry



Drilling diagram

# VS-PSC 1,5/5-M - PCB header



1688825

<https://www.phoenixcontact.com/us/products/1688825>

## Classifications

### ECLASS

ECLASS-13.0	27440302
ECLASS-15.0	27440323

### ETIM

ETIM 10.0	EC001132
-----------	----------

### UNSPSC

UNSPSC 21.0	39121400
-------------	----------

# VS-PSC 1,5/5-M - PCB header



1688825

<https://www.phoenixcontact.com/us/products/1688825>

## Environmental product compliance

### EU RoHS

Fulfills EU RoHS substance requirements	Yes, No exemptions
---	--------------------

### China RoHS

Environment friendly use period (EFUP)	EFUP-E
	No hazardous substances above the limits

### EU REACH SVHC

REACH candidate substance (CAS No.)	No substance above 0.1 wt%
-------------------------------------	----------------------------

Phoenix Contact 2026 © - all rights reserved  
<https://www.phoenixcontact.com>

Phoenix Contact USA  
586 Fulling Mill Road  
Middletown, PA 17057, United States  
(+717) 944-1300  
[info@phoenixcon.com](mailto:info@phoenixcon.com)