

# VS-09-BU-DSUB-2P - D-SUB contact support



1688421

<https://www.phoenixcontact.com/us/products/1688421>

Please be informed that the data shown in this PDF document is generated from our online catalog. Please find the complete data in the user documentation. Our general terms of use for downloads are valid.

D-SUB contact carrier, shell size 1, accommodation for two combined contacts, type of contact socket, straight, fixing with a 3 mm hole, for panel mounting frame and sleeve housing VS-09-...



## Your advantages

- Compatible with IP67 sleeve housing and panel-mount frame
- Easy assembly

## Commercial data

Item number	1688421
Packing unit	100 pc
Minimum order quantity	1 pc
Sales key	AB19
Product key	ABNCAB
GTIN	4017918818357
Weight per piece (including packing)	5.325 g
Weight per piece (excluding packing)	9.2 g
Customs tariff number	85366990
Country of origin	DE

1688421

<https://www.phoenixcontact.com/us/products/1688421>

## Technical data

### Notes

Order information:	The contacts must be ordered separately since they are not included in the scope of supply of the contact carriers. Both one male and one female contact must be mounted in the contact carrier.
--------------------	--

### Product properties

Product type	Contact insert
Type	D-SUB
Number of positions	2
Connection profile	D-SUB
Number of slots	1
Shielded	yes

### Electrical properties

Transmission medium	Copper
---------------------	--------

### Connection data

Connection method	Wave soldering contacts
-------------------	-------------------------

### Dimensions

Width	12.6 mm
Height	12.93 mm
Length	31.19 mm

### Material specifications

Flammability rating according to UL 94	V0
Housing material	Metal
Housing surface material	metal-plated
Contact surface material	Gold
Contact carrier material	PBTP

### Mechanical properties

#### Mechanical data

Insertion/withdrawal cycles	≥ 500
-----------------------------	-------

### Environmental and real-life conditions

#### Ambient conditions

Degree of protection	IP20
Ambient temperature (operation)	-55 °C ... 125 °C

### Mounting

# VS-09-BU-DSUB-2P - D-SUB contact support



1688421

<https://www.phoenixcontact.com/us/products/1688421>

Mounting type	Screw mounting
---------------	----------------

# VS-09-BU-DSUB-2P - D-SUB contact support

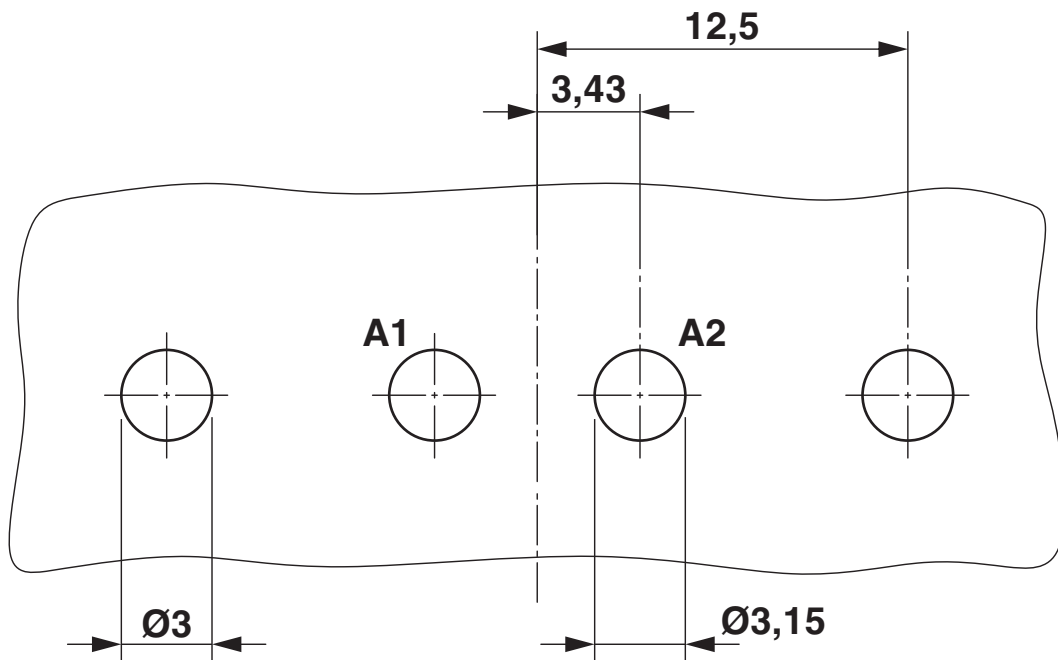


1688421

<https://www.phoenixcontact.com/us/products/1688421>

## Drawings

Drilling plan/solder pad geometry



Drilling diagram

# VS-09-BU-DSUB-2P - D-SUB contact support



1688421

<https://www.phoenixcontact.com/us/products/1688421>

## Approvals

To download certificates, visit the product detail page: <https://www.phoenixcontact.com/us/products/1688421>



**UL Recognized**

Approval ID: E118976

# VS-09-BU-DSUB-2P - D-SUB contact support



1688421

<https://www.phoenixcontact.com/us/products/1688421>

## Classifications

### ECLASS

ECLASS-13.0	27440302
ECLASS-15.0	27440323

### ETIM

ETIM 10.0	EC001132
-----------	----------

### UNSPSC

UNSPSC 21.0	39121400
-------------	----------

# VS-09-BU-DSUB-2P - D-SUB contact support



1688421

<https://www.phoenixcontact.com/us/products/1688421>

## Environmental product compliance

### EU RoHS

Fulfills EU RoHS substance requirements	Yes, No exemptions
---	--------------------

### China RoHS

Environment friendly use period (EFUP)	EFUP-E
	No hazardous substances above the limits

### EU REACH SVHC

REACH candidate substance (CAS No.)	No substance above 0.1 wt%
-------------------------------------	----------------------------

Phoenix Contact 2026 © - all rights reserved  
<https://www.phoenixcontact.com>

Phoenix Contact USA  
586 Fulling Mill Road  
Middletown, PA 17057, United States  
(+717) 944-1300  
[info@phoenixcon.com](mailto:info@phoenixcon.com)