

HC-DS-PG29-E - Pressure screw set



1676909

<https://www.phoenixcontact.com/us/products/1676909>

Please be informed that the data shown in this PDF document is generated from our online catalog. Please find the complete data in the user documentation. Our general terms of use for downloads are valid.

Pg pressure screw set, standard version; for housing with Pg29 support; consisting of pressure screw, notched seal and 2 washers



Commercial data

| | |
|--------------------------------------|--------------------------------|
| Item number | 1676909 |
| Packing unit | 1 pc |
| Note | Made to order (non-returnable) |
| Sales key | BF68 |
| Product key | AF7DFX |
| GTIN | 4017918129521 |
| Weight per piece (including packing) | 35.12 g |
| Weight per piece (excluding packing) | 35.12 g |
| Customs tariff number | 85369010 |
| Country of origin | DE |

HC-DS-PG29-E - Pressure screw set

1676909

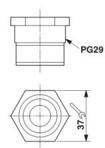
<https://www.phoenixcontact.com/us/products/1676909>

Technical data

Product properties

| | |
|---------------------|-----------------------|
| Product type | Half screw connection |
| No. of conductors | 1 |
| Shielded | no |
| Pg screw connection | Pg29 |

Dimensions

| | |
|------------------------|--|
| Dimensional drawing |  |
| Wrench size, union nut | 37 mm |

External dimensions

| | |
|------------------------|-------|
| External diameter min. | 30 mm |
| External diameter max. | 22 mm |

Material specifications

| | |
|--------------------------|----------------------|
| Material Pressure screw | Brass, nickel-plated |
| Seal material Cable seal | Perbunan |

Cable/line

| | |
|---------------------------------|-----------------|
| External cable diameter Cable 1 | 18 mm ... 27 mm |
|---------------------------------|-----------------|

Characteristics

| | |
|-------------------------|-----------------------|
| Conductor sealing range | 18.00 mm ... 27.00 mm |
|-------------------------|-----------------------|

Environmental and real-life conditions

Ambient conditions

| | |
|---------------------------------|------------------|
| Degree of protection | IP54 |
| Ambient temperature (operation) | -20 °C ... 80 °C |

HC-DS-PG29-E - Pressure screw set

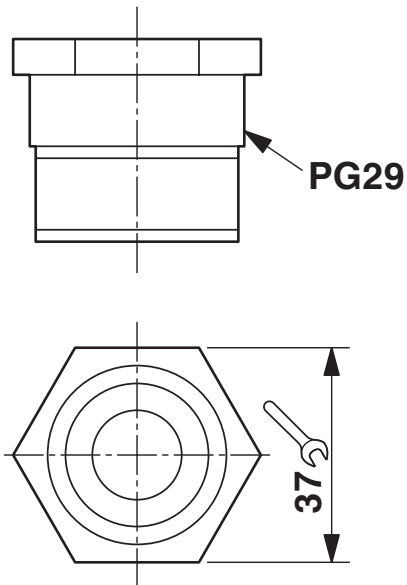
1676909

<https://www.phoenixcontact.com/us/products/1676909>



Drawings

Dimensional drawing



Dimensional drawing

HC-DS-PG29-E - Pressure screw set



1676909

<https://www.phoenixcontact.com/us/products/1676909>

Environmental product compliance

EU RoHS

| | |
|---|--------------------|
| Fulfills EU RoHS substance requirements | Yes, No exemptions |
|---|--------------------|

China RoHS

| | |
|--|--|
| Environment friendly use period (EFUP) | EFUP-E |
| | No hazardous substances above the limits |

EU REACH SVHC

| | |
|-------------------------------------|----------------------------|
| REACH candidate substance (CAS No.) | No substance above 0.1 wt% |
|-------------------------------------|----------------------------|

Phoenix Contact 2026 © - all rights reserved
<https://www.phoenixcontact.com>

Phoenix Contact USA
586 Fulling Mill Road
Middletown, PA 17057, United States
(+717) 944-1300
info@phoenixcon.com