

HC-DS-PG21-E - Pressure screw set



1676886

<https://www.phoenixcontact.com/us/products/1676886>

Please be informed that the data shown in this PDF document is generated from our online catalog. Please find the complete data in the user documentation. Our general terms of use for downloads are valid.

Pg pressure screw set, standard version; for housing with Pg21 support; consisting of pressure screw, notched seal and 2 washers



Commercial data

Item number	1676886
Packing unit	1 pc
Note	Made to order (non-returnable)
Sales key	BF68
Product key	AF7DFX
GTIN	4017918129507
Weight per piece (including packing)	22.1 g
Weight per piece (excluding packing)	21.815 g
Customs tariff number	74153300
Country of origin	DE

HC-DS-PG21-E - Pressure screw set

1676886

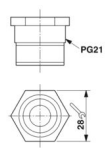
<https://www.phoenixcontact.com/us/products/1676886>

Technical data

Product properties

Product type	Half screw connection
No. of conductors	1
Shielded	no
Pg screw connection	Pg21

Dimensions

Dimensional drawing	
Wrench size, union nut	28 mm

External dimensions

External diameter min.	21 mm
External diameter max.	15 mm

Material specifications

Material Pressure screw	Brass, nickel-plated
Seal material Cable seal	Perbunan

Cable/line

External cable diameter Cable 1	10 mm ... 19 mm
---------------------------------	-----------------

Characteristics

Conductor sealing range	10.00 mm ... 19.00 mm
-------------------------	-----------------------

Environmental and real-life conditions

Ambient conditions

Degree of protection	IP54
Ambient temperature (operation)	-20 °C ... 80 °C

HC-DS-PG21-E - Pressure screw set

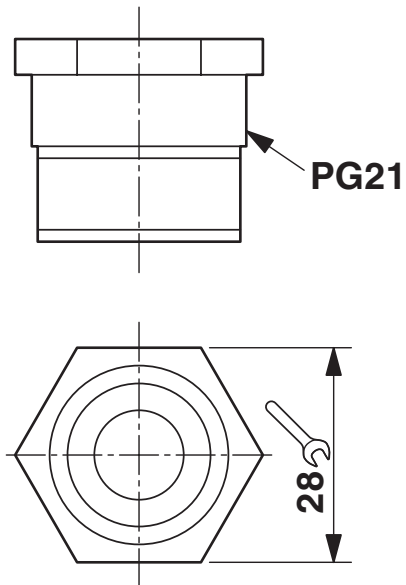
1676886

<https://www.phoenixcontact.com/us/products/1676886>



Drawings

Dimensional drawing



Dimensional drawing

HC-DS-PG21-E - Pressure screw set



1676886

<https://www.phoenixcontact.com/us/products/1676886>

Environmental product compliance

China RoHS

Environment friendly use period (EFUP)	EFUP-50
	An article-related China RoHS declaration table can be found in the download area for the respective article under "Manufacturer declaration". For all articles with EFUP-E, no China RoHS declaration table issued and required.

EU REACH SVHC

REACH candidate substance (CAS No.)	No substance above 0.1 wt%
-------------------------------------	----------------------------

Phoenix Contact 2026 © - all rights reserved
<https://www.phoenixcontact.com>

Phoenix Contact USA
586 Fulling Mill Road
Middletown, PA 17057, United States
(+717) 944-1300
info@phoenixcon.com