

Q 1,5/3IDC/13-13KU-KU - Conductor connector



1670248

<https://www.phoenixcontact.com/us/products/1670248>

Please be informed that the data shown in this PDF document is generated from our online catalog. Please find the complete data in the user documentation. Our general terms of use for downloads are valid.

Conductor connectors to connect circular conductors.



Your advantages

- Robust throughout: housing with IP65/IP67 protection for a wide range of applications

Commercial data

Item number	1670248
Packing unit	1 pc
Minimum order quantity	1 pc
Sales key	BF50
Product key	AF6HCC
GTIN	4017918146504
Weight per piece (including packing)	56 g
Weight per piece (excluding packing)	34.7 g
Customs tariff number	85369010
Country of origin	PL

Q 1,5/3IDC/13-13KU-KU - Conductor connector



1670248

<https://www.phoenixcontact.com/us/products/1670248>

Technical data

Mounting

Assembly note	If the conductor is reconnected, it must be cut off above the last contact point. QUICKON components may only be operated when under no load.
---------------	---

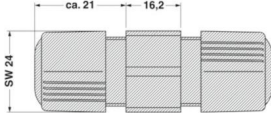
Product properties

Product type	Cable connector
Number of positions	3
Position marking	1, 2, 3
Number of connections	3
Number of connections per position	1
Coding	no

Insulation characteristics

Overvoltage category	III
Degree of pollution	3

Dimensions

Dimensional drawing	
Width	24 mm
Height	24 mm
Length	62.2 mm
Diameter	24 mm

Connection data

Connection technology

Frequency of connections between conductors of the same cross section	max. 10 (if the conductor is connected more than once, seal and cap may need to be replaced.)
---	---

Conductor connection

Tightening torque	2.5 Nm
Tightening torque Union nut	2.5 Nm
Wrench size Union nut	24 mm
Wrench size Contact carrier	24 mm

Electrical properties

Q 1,5/3IDC/13-13KU-KU - Conductor connector



1670248

<https://www.phoenixcontact.com/us/products/1670248>

Rated surge voltage (II/2)	6 kV
Rated surge voltage (III/2)	6 kV
Rated surge voltage (III/3)	6 kV
Contact resistance	≤ 5 mΩ
rated voltage (II/2)	630 V
rated voltage (III/2)	320 V
Rated voltage (III/3)	250 V
Nominal voltage U_N	500 V AC
	500 V DC
Nominal current I_N	17.5 A

Material specifications

Color	green (RAL 6021)
Material Housing	PA
Material Contact	Copper alloy
Material Contact surface	Sn
Flammability rating according to UL 94	V0
Material wire insulation	PVC / PE

Cable/line

Structure of individual litz in acc. with VDE 0295 / smallest wire diameter	VDE 0295 class 1 to 6/min. 0.15 mm
External cable diameter	7 mm ... 9 mm
Wire diameter including insulation	≥ 3 mm
Position marking	1, 2, 3
Material wire insulation	PVC / PE

Environmental and real-life conditions

Ambient conditions

Degree of protection	IP65
	IP67
Impact strength	IK06
Ambient temperature (operation)	-25 °C ... 80 °C
	-25 °C ... 50 °C (when the conductor is connected. Specifications of the cable manufacturer must also be observed.)
Temperature when conductor connected	-5 °C ... 50 °C
Ambient temperature (storage/transport)	-40 °C ... 80 °C

Q 1,5/3IDC/13-13KU-KU - Conductor connector

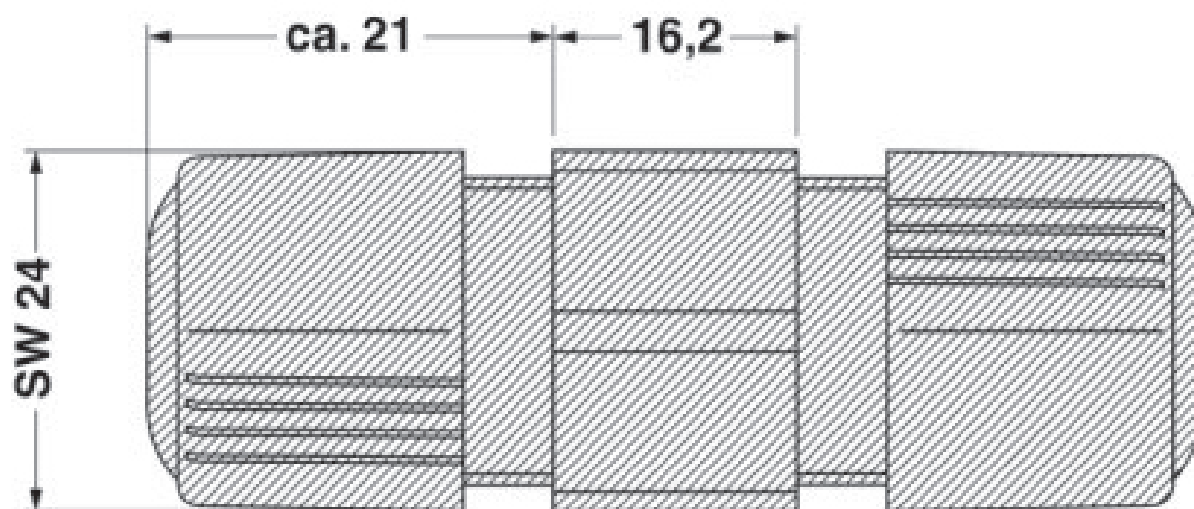
1670248

<https://www.phoenixcontact.com/us/products/1670248>



Drawings

Dimensional drawing



Q 1,5/3IDC/13-13KU-KU - Conductor connector




1670248


<https://www.phoenixcontact.com/us/products/1670248>


Approvals

To download certificates, visit the product detail page: <https://www.phoenixcontact.com/us/products/1670248>

 cUL Recognized Approval ID: E118976				
	Nominal voltage U_N	Nominal current I_N	Cross section AWG	Cross section mm^2
keine				
	250 V	11 A	-	-

 UL Recognized Approval ID: E118976				
	Nominal voltage U_N	Nominal current I_N	Cross section AWG	Cross section mm^2
keine				
	250 V	15 A	-	-

 EAC Approval ID: RU C-DE.A*30.B.01102	
---	--

 EAC-RoHS Approval ID: RU D-DE.HB35.B.00387	
--	--

Q 1,5/3IDC/13-13KU-KU - Conductor connector



1670248

<https://www.phoenixcontact.com/us/products/1670248>

Classifications

ECLASS

ECLASS-13.0	27440605
ECLASS-15.0	27440605

ETIM

ETIM 10.0	EC002560
-----------	----------

UNSPSC

UNSPSC 21.0	39121400
-------------	----------

Q 1,5/3IDC/13-13KU-KU - Conductor connector



1670248

<https://www.phoenixcontact.com/us/products/1670248>

Environmental product compliance

EU RoHS

Fulfills EU RoHS substance requirements	Yes, No exemptions
---	--------------------

China RoHS

Environment friendly use period (EFUP)	EFUP-E
	No hazardous substances above the limits

EU REACH SVHC

REACH candidate substance (CAS No.)	No substance above 0.1 wt%
-------------------------------------	----------------------------

EF3.1 Climate Change

CO2e kg	0.437 kg CO2e
---------	---------------

Phoenix Contact 2026 © - all rights reserved
<https://www.phoenixcontact.com>

Phoenix Contact USA
586 Fulling Mill Road
Middletown, PA 17057, United States
(+717) 944-1300
info@phoenixcon.com