

CK2,5-ED-0,50BU AG - Crimp contact



1663640

<https://www.phoenixcontact.com/us/products/1663640>

Please be informed that the data shown in this PDF document is generated from our online catalog. Please find the complete data in the user documentation. Our general terms of use for downloads are valid.



Crimp contact, series: HC-M-06, Socket, turned, contact diameter: 2.5 mm, connection cross section: 0.5 mm² ... 0.5 mm², AWG 20...20, contact material: Cu alloy

Commercial data

| | |
|--------------------------------------|---------------|
| Item number | 1663640 |
| Packing unit | 100 pc |
| Minimum order quantity | 100 pc |
| Sales key | BF65 |
| Product key | AF7AID |
| GTIN | 4017918123451 |
| Weight per piece (including packing) | 1.608 g |
| Weight per piece (excluding packing) | 1.608 g |
| Customs tariff number | 85366990 |
| Country of origin | DE |

CK2,5-ED-0,50BU AG - Crimp contact



1663640

<https://www.phoenixcontact.com/us/products/1663640>

Technical data

Notes

| | |
|---------------|--|
| General | for HC-M-06..., HC-M-HV-, HC-M-08-, HC-M-20-, HC-A..., HC-B.., HC-BB..., HC-BBB..., and HC-HV contact carriers |
| Assembly note | The quality of a crimp connection is determined by DIN EN 60352-2. |

Product properties

| | |
|-----------------------|---------------|
| Product type | Crimp contact |
| Series | HC-M-06 |
| | HC-M-HV |
| | HC-M-08 |
| | HC-A |
| | HC-BB |
| | HC-B |
| | HC-HV |
| | HC-M-20 |
| | HC-K |
| | HC-BBB |
| | HC-Q |
| HC-COM | |
| Contact material type | turned |

Connection data

Connection technology

| | |
|-------------------------|------------------|
| Contact connection type | Socket |
| Connection method | Crimp connection |

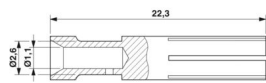
Conductor connection

| | |
|------------------------------|---|
| Stripping length | 7.5 mm (9.5 mm at HC-M-HV...) |
| Connection cross section | 0.5 mm ² ... 0.5 mm ² |
| Connection cross section AWG | 20 ... 20 |

Material specifications

| | |
|--------------------------|----------|
| Material Contact | Cu alloy |
| Material Contact surface | Ag |

Dimensions

| | |
|-----------------------------|--|
| Dimensional drawing |  |
| Diameter (Contact diameter) | 2.5 mm |

CK2,5-ED-0,50BU AG - Crimp contact



1663640

<https://www.phoenixcontact.com/us/products/1663640>

Mechanical properties

Mechanical data

| | |
|-----------------------------|-------|
| Insertion/withdrawal cycles | ≥ 500 |
|-----------------------------|-------|

Environmental and real-life conditions

Ambient conditions

| | |
|---------------------------------|-------------------|
| Ambient temperature (operation) | -40 °C ... 125 °C |
|---------------------------------|-------------------|

CK2,5-ED-0,50BU AG - Crimp contact

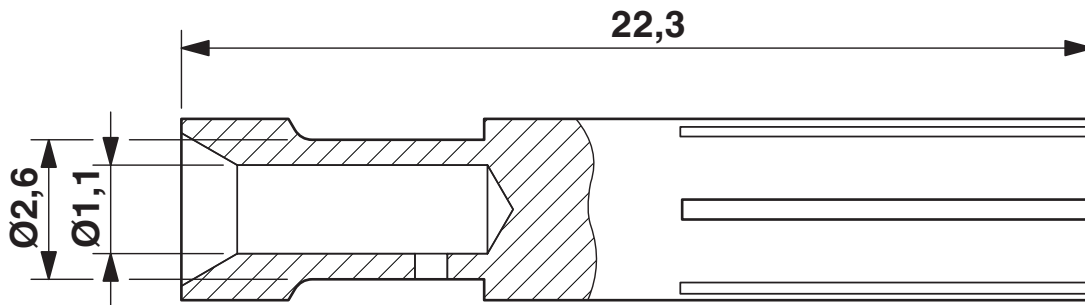
1663640

<https://www.phoenixcontact.com/us/products/1663640>



Drawings

Dimensional drawing



Dimensional drawing

CK2,5-ED-0,50BU AG - Crimp contact



1663640

<https://www.phoenixcontact.com/us/products/1663640>

Classifications

ECLASS

| | |
|-------------|----------|
| ECLASS-13.0 | 27440204 |
| ECLASS-15.0 | 27440204 |

ETIM

| | |
|-----------|----------|
| ETIM 10.0 | EC000796 |
|-----------|----------|

UNSPSC

| | |
|-------------|----------|
| UNSPSC 21.0 | 39121500 |
|-------------|----------|

CK2,5-ED-0,50BU AG - Crimp contact



1663640

<https://www.phoenixcontact.com/us/products/1663640>

Environmental product compliance

EU RoHS

| | |
|---|--------------------|
| Fulfills EU RoHS substance requirements | Yes, No exemptions |
|---|--------------------|

China RoHS

| | |
|--|--|
| Environment friendly use period (EFUP) | EFUP-E |
| | No hazardous substances above the limits |

EU REACH SVHC

| | |
|-------------------------------------|----------------------------|
| REACH candidate substance (CAS No.) | No substance above 0.1 wt% |
|-------------------------------------|----------------------------|

EF3.1 Climate Change

| | |
|---------|---------------|
| CO2e kg | 0.025 kg CO2e |
|---------|---------------|

Phoenix Contact 2026 © - all rights reserved
<https://www.phoenixcontact.com>

Phoenix Contact USA
586 Fulling Mill Road
Middletown, PA 17057, United States
(+717) 944-1300
info@phoenixcon.com