

# HC-M-PN3-3,00-ST - Pneumatic contact



1663491

<https://www.phoenixcontact.com/us/products/1663491>

Please be informed that the data shown in this PDF document is generated from our online catalog. Please find the complete data in the user documentation. Our general terms of use for downloads are valid.

Pneumatic pin, for HC-M-PN3 module, internal hose diameter of 3.0 mm



## Commercial data

Item number	1663491
Packing unit	10 pc
Minimum order quantity	1 pc
Sales key	BF62
Product key	AF7ACZ
GTIN	4017918123307
Weight per piece (including packing)	0.86 g
Weight per piece (excluding packing)	0.8 g
Customs tariff number	39174000
Country of origin	US

# HC-M-PN3-3,00-ST - Pneumatic contact



1663491

<https://www.phoenixcontact.com/us/products/1663491>

## Technical data

### Product properties

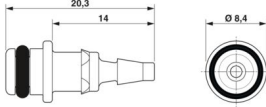
Product type	Pneumatic contact
Series	HC-M-03-PN
Integrated valve	No

### Connection data

#### Connection technology

Contact connection type	Pin
Connection method	Tube connection

### Dimensions

Dimensional drawing	
Width [w]	8.2 mm
Height [h]	8.2 mm
Depth	20.4 mm
Diameter (Internal hose diameter)	3 mm
Diameter (Contact diameter)	5.2 mm

### Material specifications

Material Valve	Polypropylene
Material Seal	Buna-N
Material Contact	Delrin Acetal

### Mechanical properties

#### Mechanical data

Insertion/withdrawal cycles	≥ 500
-----------------------------	-------

### Characteristics

Operating pressure	8.00 bar
--------------------	----------

### Environmental and real-life conditions

#### Ambient conditions

Ambient temperature (operation)	-40 °C ... 80 °C
---------------------------------	------------------

# HC-M-PN3-3,00-ST - Pneumatic contact

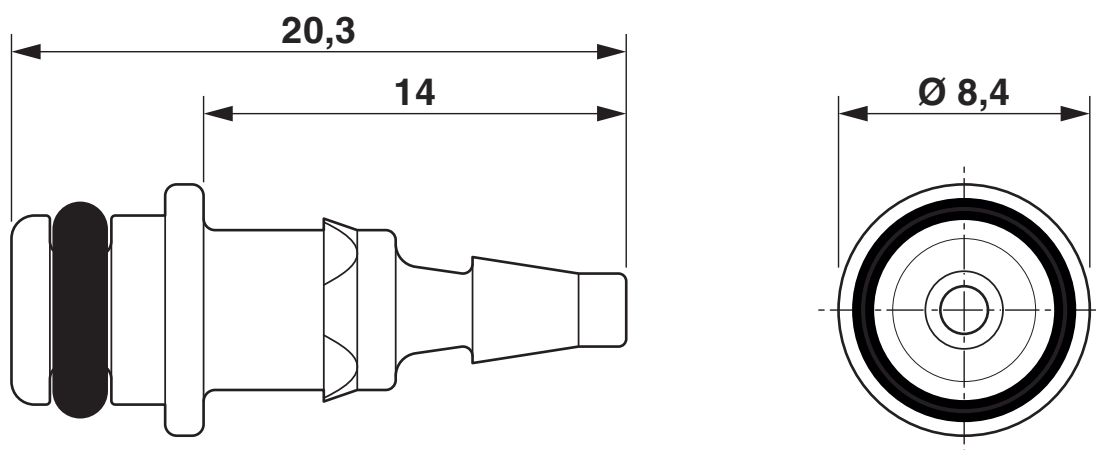


1663491

<https://www.phoenixcontact.com/us/products/1663491>

## Drawings

Dimensional drawing



# HC-M-PN3-3,00-ST - Pneumatic contact



1663491

<https://www.phoenixcontact.com/us/products/1663491>

## Approvals

To download certificates, visit the product detail page: <https://www.phoenixcontact.com/us/products/1663491>



**EAC**

Approval ID: RU C-DE.AI30.B.01102

# HC-M-PN3-3,00-ST - Pneumatic contact



1663491

<https://www.phoenixcontact.com/us/products/1663491>

## Classifications

### ECLASS

ECLASS-13.0	27440204
ECLASS-15.0	27440204

### ETIM

ETIM 10.0	EC000796
-----------	----------

### UNSPSC

UNSPSC 21.0	39121500
-------------	----------

# HC-M-PN3-3,00-ST - Pneumatic contact



1663491

<https://www.phoenixcontact.com/us/products/1663491>

## Environmental product compliance

### EU RoHS

Fulfills EU RoHS substance requirements	Yes, No exemptions
---	--------------------

### China RoHS

Environment friendly use period (EFUP)	EFUP-E
	No hazardous substances above the limits

### EU REACH SVHC

REACH candidate substance (CAS No.)	No substance above 0.1 wt%
-------------------------------------	----------------------------

### EF3.1 Climate Change

CO2e kg	0.368 kg CO2e
---------	---------------

Phoenix Contact 2026 © - all rights reserved  
<https://www.phoenixcontact.com>

Phoenix Contact USA  
586 Fulling Mill Road  
Middletown, PA 17057, United States  
(+717) 944-1300  
[info@phoenixcon.com](mailto:info@phoenixcon.com)