

HC-B 16-AP-GY - Cover plate



1660384

<https://www.phoenixcontact.com/us/products/1660384>

Please be informed that the data shown in this PDF document is generated from our online catalog. Please find the complete data in the user documentation. Our general terms of use for downloads are valid.

HEAVYCON cover plate, for panel cutouts of type B16/HV6, 3.5 mm thick, gray



Commercial data

Item number	1660384
Packing unit	10 pc
Minimum order quantity	1 pc
Sales key	BF66
Product key	AF7AZD
GTIN	4017918022020
Weight per piece (including packing)	19.37 g
Weight per piece (excluding packing)	17.815 g
Customs tariff number	39269097
Country of origin	DE

HC-B 16-AP-GY - Cover plate

1660384

<https://www.phoenixcontact.com/us/products/1660384>

Technical data

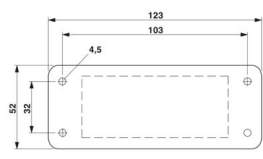
Notes

General	For panel cutouts of type B16/HV6
---------	-----------------------------------

Product properties

Product type	Cover plate
Type	B16 HV6
Seal present	yes

Dimensions

Dimensional drawing	
Width	52 mm
Height	4.5 mm
Length	123 mm
Drill hole distance, horizontal	103 mm
Drill hole distance, vertical	32 mm
Hole diameter	4.5 mm

Installation dimensions

Width of the assembly cutout	36 mm
Length of the assembly cutout	86 mm

Material specifications

Material	PA
Flammability rating according to UL 94	HB
Seal material	PTS

Environmental and real-life conditions

Ambient conditions

Degree of protection	IP54
Ambient temperature (operation)	-20 °C ... 100 °C

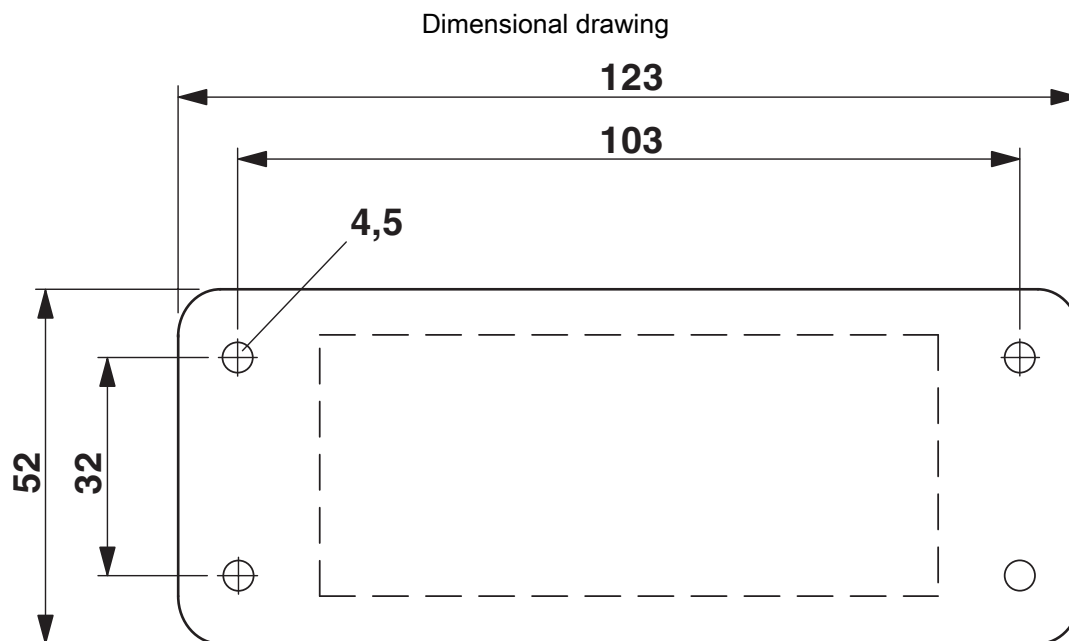
HC-B 16-AP-GY - Cover plate



1660384

<https://www.phoenixcontact.com/us/products/1660384>

Drawings



Dimensional drawing

HC-B 16-AP-GY - Cover plate



1660384

<https://www.phoenixcontact.com/us/products/1660384>

Classifications

ECLASS

ECLASS-13.0	27440201
ECLASS-15.0	27440201

ETIM

ETIM 10.0	EC002309
-----------	----------

UNSPSC

UNSPSC 21.0	31261500
-------------	----------

HC-B 16-AP-GY - Cover plate



1660384

<https://www.phoenixcontact.com/us/products/1660384>

Environmental product compliance

EU RoHS

Fulfills EU RoHS substance requirements	Yes, No exemptions
---	--------------------

China RoHS

Environment friendly use period (EFUP)	EFUP-E
	No hazardous substances above the limits

EU REACH SVHC

REACH candidate substance (CAS No.)	No substance above 0.1 wt%
-------------------------------------	----------------------------

EF3.1 Climate Change

CO2e kg	0.334 kg CO2e
---------	---------------

Phoenix Contact 2026 © - all rights reserved
<https://www.phoenixcontact.com>

Phoenix Contact USA
586 Fulling Mill Road
Middletown, PA 17057, United States
(+717) 944-1300
info@phoenixcon.com