

# HC-B 10-SD-FL/FS - Protective cover



1660177

<https://www.phoenixcontact.com/us/products/1660177>

Please be informed that the data shown in this PDF document is generated from our online catalog. Please find the complete data in the user documentation. Our general terms of use for downloads are valid.

Protective cover B10, for single locking latch, protective cover material: PA, height: 18.5 mm, seal: no, with lanyard



## Commercial data

Item number	1660177
Packing unit	1 pc
Sales key	BF66
Product key	AF7AZC
GTIN	4017918021917
Weight per piece (including packing)	26.6 g
Weight per piece (excluding packing)	23.52 g
Customs tariff number	85389099
Country of origin	DE

# HC-B 10-SD-FL/FS - Protective cover

1660177

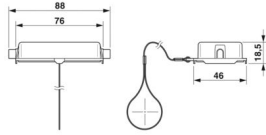
<https://www.phoenixcontact.com/us/products/1660177>

## Technical data

### Product properties

Product type	Protective cover
Housing type	Protective cover
Type	B10
Retaining cord present	yes
Seal present	no

### Dimensions

Dimensional drawing	
Width	46 mm
Height	18.5 mm
Length	76 mm
Diameter	30 mm

### Material specifications

Material Protective cover	PA
Flammability rating according to UL 94	HB
Material, protective cover	PA

### Mechanical properties

#### Mechanical data

Locking type	Pin
--------------	-----

### Environmental and real-life conditions

#### Ambient conditions

Degree of protection	IP66
Ambient temperature (operation)	-20 °C ... 100 °C

### Mounting

Assembly note	Plastic protective cover for short-term protection
---------------	--

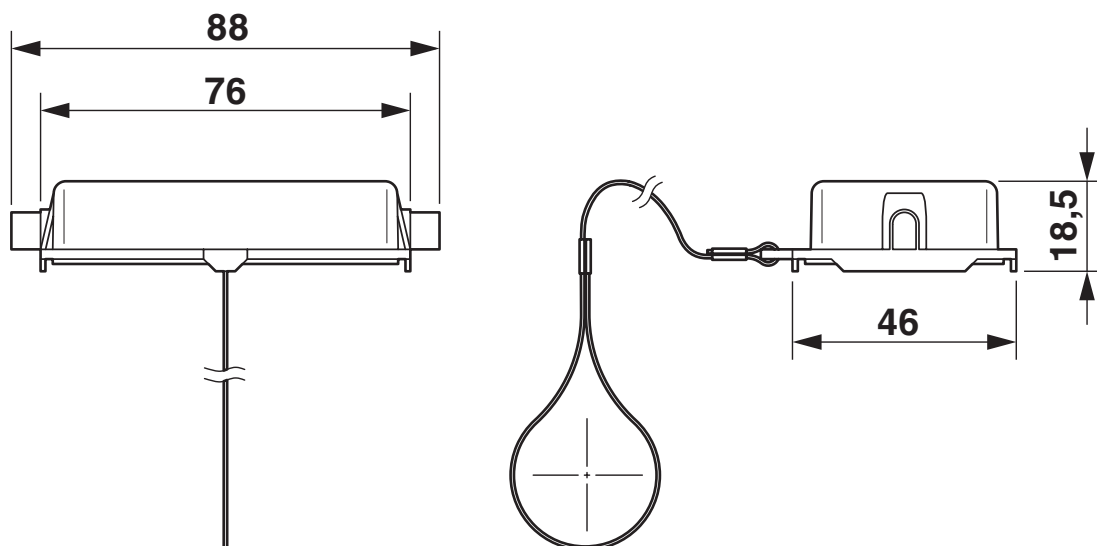
# HC-B 10-SD-FL/FS - Protective cover

1660177

<https://www.phoenixcontact.com/us/products/1660177>

## Drawings

Dimensional drawing



Dimensional drawing

# HC-B 10-SD-FL/FS - Protective cover



1660177

<https://www.phoenixcontact.com/us/products/1660177>

## Classifications

### ECLASS

ECLASS-13.0	27440208
ECLASS-15.0	27440208

### UNSPSC

UNSPSC 21.0	39121400
-------------	----------

# HC-B 10-SD-FL/FS - Protective cover



1660177

<https://www.phoenixcontact.com/us/products/1660177>

## Environmental product compliance

### EU RoHS

Fulfills EU RoHS substance requirements	Yes, No exemptions
---	--------------------

### China RoHS

Environment friendly use period (EFUP)	EFUP-E
	No hazardous substances above the limits

### EU REACH SVHC

REACH candidate substance (CAS No.)	No substance above 0.1 wt%
-------------------------------------	----------------------------

Phoenix Contact 2026 © - all rights reserved  
<https://www.phoenixcontact.com>

Phoenix Contact USA  
586 Fulling Mill Road  
Middletown, PA 17057, United States  
(+717) 944-1300  
[info@phoenixcon.com](mailto:info@phoenixcon.com)