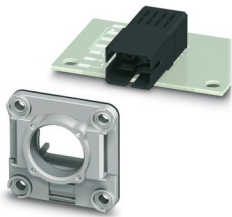


# VS-SCRJ-A-TC-IP67 - Panel-mount frame

1658545

<https://www.phoenixcontact.com/us/products/1658545>

Please be informed that the data shown in this PDF document is generated from our online catalog. Please find the complete data in the user documentation. Our general terms of use for downloads are valid.



VS-SC-RJ panel mounting frame for transceiver from AVAGO, type: AFBR 5978Z, gray, IP65/67

## Commercial data

|                                      |                                |
|--------------------------------------|--------------------------------|
| Item number                          | 1658545                        |
| Packing unit                         | 1 pc                           |
| Minimum order quantity               | 1 pc                           |
| Note                                 | Made to order (non-returnable) |
| Sales key                            | AB17                           |
| Product key                          | ABNND C                        |
| GTIN                                 | 4046356163095                  |
| Weight per piece (including packing) | 8.8 g                          |
| Weight per piece (excluding packing) | 8.8 g                          |
| Customs tariff number                | 39269097                       |
| Country of origin                    | DE                             |

# VS-SCRJ-A-TC-IP67 - Panel-mount frame



1658545

<https://www.phoenixcontact.com/us/products/1658545>

## Technical data

### Product properties

|              |                          |
|--------------|--------------------------|
| Product type | Panel-mount frame        |
| Application  | PCB                      |
| Type         | SCRJ, IP65/67, version 6 |

### Material specifications

|  |         |
|--|---------|
| Color                                  | gray    |
| Flammability rating according to UL 94 | V0      |
| Housing material                       | Plastic |

### Environmental and real-life conditions

#### Ambient conditions

|                                 |                  |
|---------------------------------|------------------|
| Degree of protection            | IP65/IP67        |
| Ambient temperature (operation) | -40 °C ... 80 °C |

### Mounting

|               |                |
|---------------|----------------|
| Mounting type | Front mounting |
|---------------|----------------|

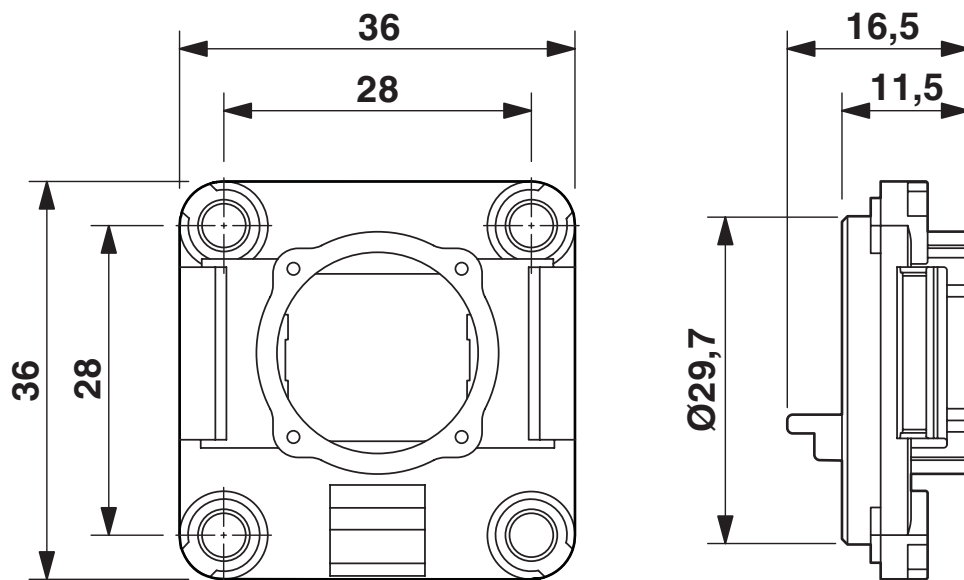
# VS-SCRJ-A-TC-IP67 - Panel-mount frame

1658545

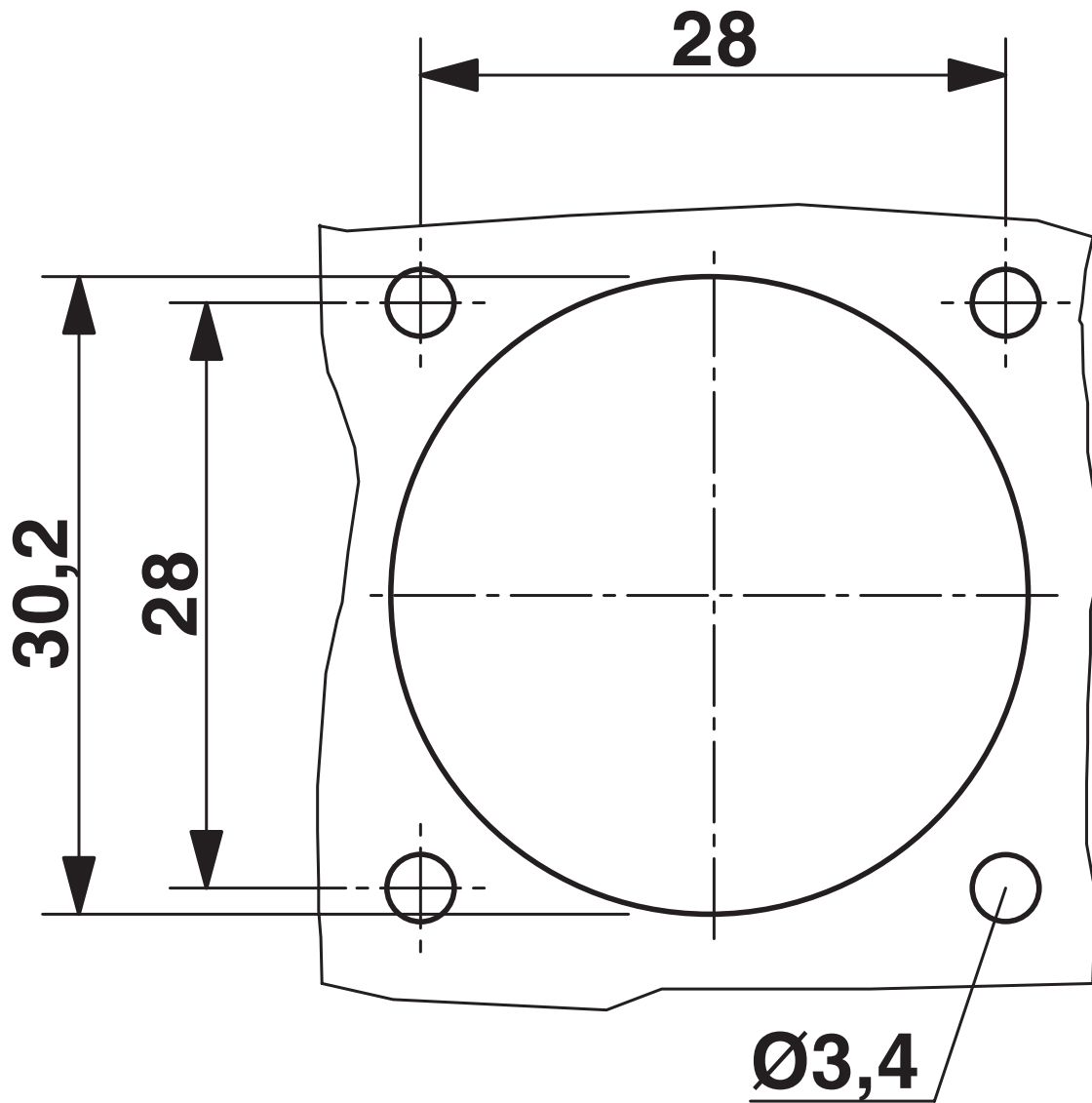
<https://www.phoenixcontact.com/us/products/1658545>

## Drawings

Dimensional drawing



Dimensional drawing



Mounting cutout

# VS-SCRJ-A-TC-IP67 - Panel-mount frame



1658545

<https://www.phoenixcontact.com/us/products/1658545>

## Classifications

### ECLASS

|             |          |
|-------------|----------|
| ECLASS-13.0 | 27440392 |
| ECLASS-15.0 | 27440392 |

### UNSPSC

|             |          |
|-------------|----------|
| UNSPSC 21.0 | 39121400 |
|-------------|----------|

# VS-SCRJ-A-TC-IP67 - Panel-mount frame



1658545

<https://www.phoenixcontact.com/us/products/1658545>

## Environmental product compliance

### EU RoHS

|   |                    |
|---|--------------------|
| Fulfills EU RoHS substance requirements | Yes, No exemptions |
|---|--------------------|

### China RoHS

|  |  |
|--|--|
| Environment friendly use period (EFUP) | EFUP-E                                   |
|  | No hazardous substances above the limits |

### EU REACH SVHC

|                                     |                            |
|-------------------------------------|----------------------------|
| REACH candidate substance (CAS No.) | No substance above 0.1 wt% |
|-------------------------------------|----------------------------|

Phoenix Contact 2026 © - all rights reserved  
<https://www.phoenixcontact.com>

Phoenix Contact USA  
586 Fulling Mill Road  
Middletown, PA 17057, United States  
(+717) 944-1300  
[info@phoenixcon.com](mailto:info@phoenixcon.com)