

VS-ST-CD-HD-1,0/13,5/0,37 - D-SUB crimp contact



1655276

<https://www.phoenixcontact.com/us/products/1655276>

Please be informed that the data shown in this PDF document is generated from our online catalog. Please find the complete data in the user documentation. Our general terms of use for downloads are valid.



Crimp contact, for D-SUB contact inserts with high density, pin, connection cross section AWG 22, turned, gold-plated

Commercial data

Item number	1655276
Packing unit	1 pc
Note	Made to order (non-returnable)
Sales key	NULL
Product key	ABNCAA
GTIN	4046356029216
Weight per piece (including packing)	0.09 g
Weight per piece (excluding packing)	0.09 g
Customs tariff number	85369010
Country of origin	DE

VS-ST-CD-HD-1,0/13,5/0,37 - D-SUB crimp contact



1655276

<https://www.phoenixcontact.com/us/products/1655276>

Technical data

Mounting

Mounting type	Crimp connection
---------------	------------------

Product properties

Product type	Crimp contact
Contact material type	turned

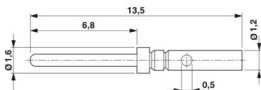
Connection data

Connection method	Crimp connection
Contact connection type	Pin
Connection technology	Crimp connection
Conductor cross-section	0.34 mm ²
Connection cross section AWG	22

Material specifications

Contact material	Copper alloy
Contact surface material	Hard gold-plated over nickel

Dimensions

Dimensional drawing	
Length	13.5 mm

Mechanical characteristics

Contact diameter	1 mm
------------------	------

Electrical properties

Rated voltage (III/3)	60 V
Rated surge voltage	1 kV
Rated current	3 A
Insulation resistance	≥ 5 GΩ

Mechanical properties

Mechanical data

Insertion/withdrawal cycles	≥ 50
-----------------------------	------

Environmental and real-life conditions

Ambient conditions

VS-ST-CD-HD-1,0/13,5/0,37 - D-SUB crimp contact



1655276

<https://www.phoenixcontact.com/us/products/1655276>

Ambient temperature (operation)

-55 °C ... 125 °C

VS-ST-CD-HD-1,0/13,5/0,37 - D-SUB crimp contact

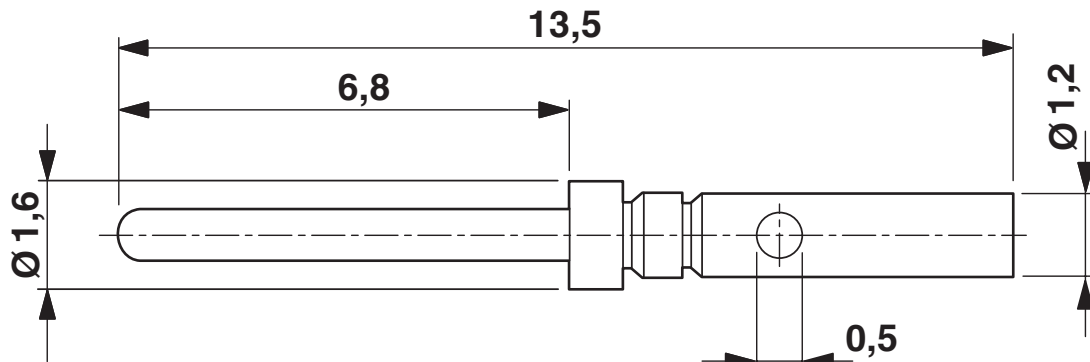


1655276

<https://www.phoenixcontact.com/us/products/1655276>

Drawings

Dimensional drawing



D-SUB crimp contact pin

Phoenix Contact 2026 © - all rights reserved
<https://www.phoenixcontact.com>

Phoenix Contact USA
586 Fulling Mill Road
Middletown, PA 17057, United States
(+717) 944-1300
info@phoenixcon.com