

HC-B 6-AMLD-AL - Housing

1645464

<https://www.phoenixcontact.com/us/products/1645464>

Please be informed that the data shown in this PDF document is generated from our online catalog. Please find the complete data in the user documentation. Our general terms of use for downloads are valid.



Panel mounting base B6, with single locking latch, material: Die-cast aluminum, protective cover material: Al, height: 29 mm, cable gland: none, protective cover: yes, Standard, with flat gasket

Commercial data

Item number	1645464
Packing unit	1 pc
Note	Made to order (non-returnable)
Sales key	BF55
Product key	AF7AAC
GTIN	4046356028615
Weight per piece (including packing)	151.8 g
Weight per piece (excluding packing)	151.8 g
Customs tariff number	85389099
Country of origin	DE

HC-B 6-AMLD-AL - Housing

1645464

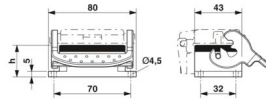
<https://www.phoenixcontact.com/us/products/1645464>

Technical data

Product properties

Product type	Housing with locking latch
Housing type	Panel mounting base
Application	Standard
Type	B6
Protective cover	yes
Shielded	no
Pg screw connection	none

Dimensions

Dimensional drawing	
Width	43 mm
Height	29 mm
Length	80 mm

Installation dimensions

Width of the assembly cutout	35 mm
Length of the assembly cutout	52 mm

Material specifications

Seal material	NBR CR
Housing material	Die-cast aluminum
Housing surface material	Powder-coated, gray
Material, protective cover	Al
Locking latch material	Stainless steel, handle: PA

Mechanical properties

Mechanical data

Locking type	Latch
--------------	-------

Connection data

Tightening torque	1.5 Nm ... 2 Nm (Mounting screw)
-------------------	----------------------------------

Environmental and real-life conditions

Ambient conditions

Degree of protection	IP65 (When plugged in)
----------------------	------------------------

HC-B 6-AMLD-AL - Housing

1645464

<https://www.phoenixcontact.com/us/products/1645464>



	IP54 (with closed protective cover)
Ambient temperature (operation)	-40 °C ... 125 °C

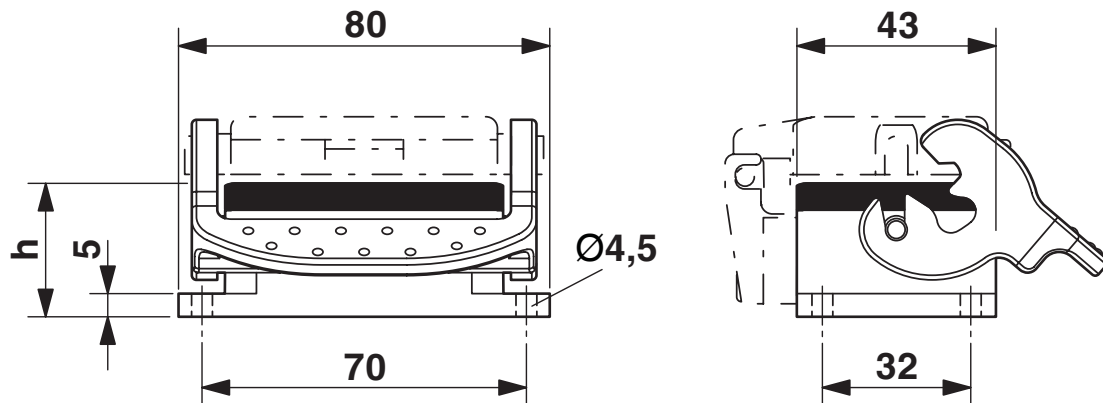
HC-B 6-AMLD-AL - Housing

1645464

<https://www.phoenixcontact.com/us/products/1645464>

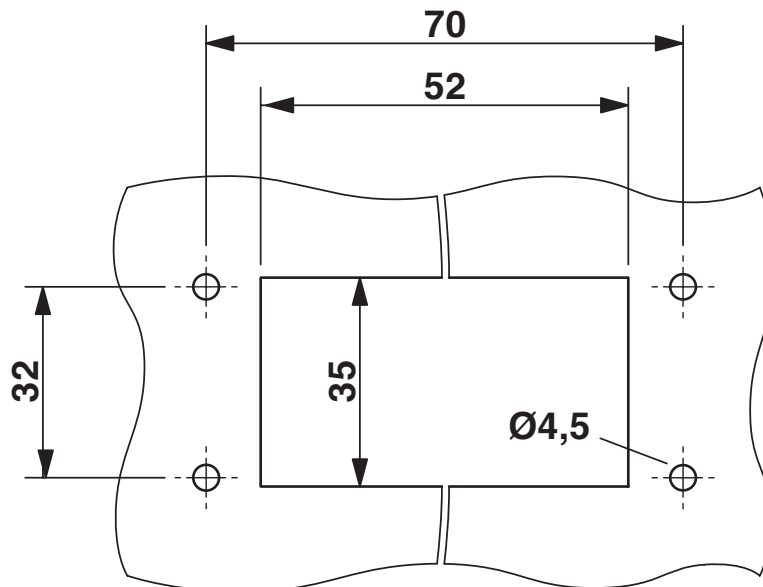
Drawings

Dimensional drawing



Dimensional drawing

Dimensional drawing



Mounting cutout

HC-B 6-AMLD-AL - Housing



1645464

<https://www.phoenixcontact.com/us/products/1645464>

Classifications

ECLASS

ECLASS-13.0	27440202
ECLASS-15.0	27440202

UNSPSC

UNSPSC 21.0	31261500
-------------	----------

HC-B 6-AMLD-AL - Housing



1645464

<https://www.phoenixcontact.com/us/products/1645464>

Environmental product compliance

EU RoHS

Fulfills EU RoHS substance requirements	Yes, No exemptions
---	--------------------

China RoHS

Environment friendly use period (EFUP)	EFUP-E
	No hazardous substances above the limits

EU REACH SVHC

REACH candidate substance (CAS No.)	No substance above 0.1 wt%
-------------------------------------	----------------------------

Phoenix Contact 2026 © - all rights reserved
<https://www.phoenixcontact.com>

Phoenix Contact USA
586 Fulling Mill Road
Middletown, PA 17057, United States
(+717) 944-1300
info@phoenixcon.com