

HC-B 32-TFQ-80/O1STM25S - Housing



1645147

<https://www.phoenixcontact.com/us/products/1645147>

Please be informed that the data shown in this PDF document is generated from our online catalog. Please find the complete data in the user documentation. Our general terms of use for downloads are valid.



HEAVYCON sleeve housing B32, for double locking latch, height 80 mm, without support 1x M25, lateral conductor exit

Commercial data

Item number	1645147
Packing unit	1 pc
Note	Made to order (non-returnable)
Sales key	BF55
Product key	AF7AAC
GTIN	4017918913052
Weight per piece (including packing)	426.42 g
Weight per piece (excluding packing)	426.42 g
Customs tariff number	85389099
Country of origin	DE

HC-B 32-TFQ-80/O1STM25S - Housing

1645147

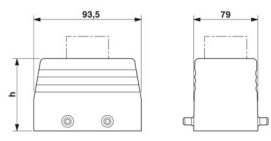
<https://www.phoenixcontact.com/us/products/1645147>

Technical data

Product properties

Product type	Housing with locking latch
Housing type	Sleeve housing
Application	Standard
Type	B32
No. of cable outlets	1
Type of the screw connection	1x M25
Shielded	no
Cable outlet	lateral
Pg screw connection	none

Dimensions

Dimensional drawing	
Width	79 mm
Height	80 mm
Length	94 mm

Material specifications

Housing material	Die-cast aluminum
Housing surface material	Powder-coated, gray

Mechanical properties

Mechanical data

Type of the screw connection	1x M25
Locking type	Pin

Environmental and real-life conditions

Ambient conditions

Degree of protection	IP65
Ambient temperature (operation)	-40 °C ... 125 °C

HC-B 32-TFQ-80/O1STM25S - Housing

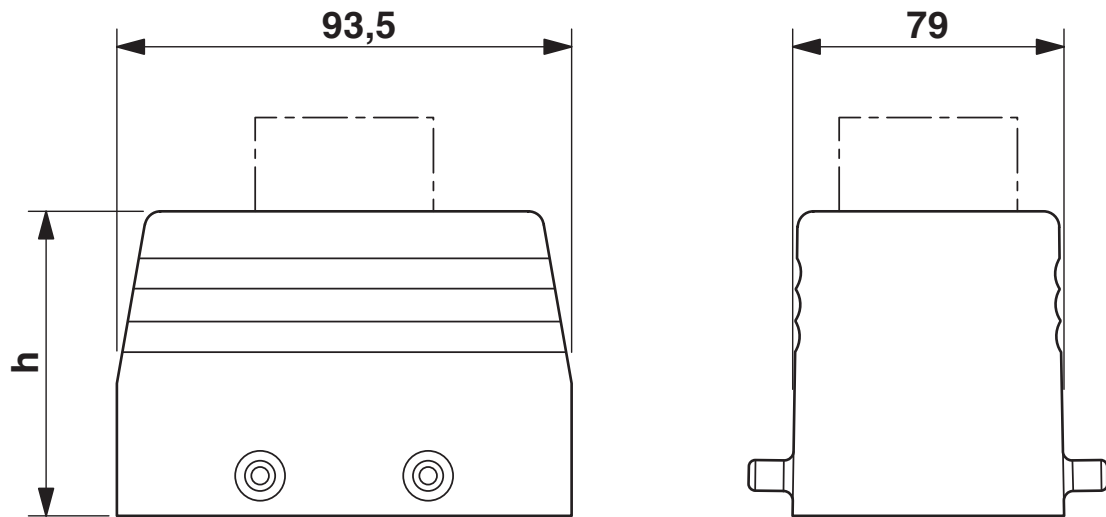


1645147

<https://www.phoenixcontact.com/us/products/1645147>

Drawings

Dimensional drawing



Dimensional drawing

HC-B 32-TFQ-80/O1STM25S - Housing



1645147

<https://www.phoenixcontact.com/us/products/1645147>

Classifications

ECLASS

ECLASS-13.0	27440202
ECLASS-15.0	27440202

UNSPSC

UNSPSC 21.0	31261501
-------------	----------

HC-B 32-TFQ-80/O1STM25S - Housing



1645147

<https://www.phoenixcontact.com/us/products/1645147>

Environmental product compliance

EU RoHS

Fulfills EU RoHS substance requirements	Yes, No exemptions
---	--------------------

China RoHS

Environment friendly use period (EFUP)	EFUP-E
	No hazardous substances above the limits

EU REACH SVHC

REACH candidate substance (CAS No.)	No substance above 0.1 wt%
-------------------------------------	----------------------------

Phoenix Contact 2026 © - all rights reserved
<https://www.phoenixcontact.com>

Phoenix Contact USA
586 Fulling Mill Road
Middletown, PA 17057, United States
(+717) 944-1300
info@phoenixcon.com