

HC-KDT 8-9 - Cable feed-through sleeve

1644083

<https://www.phoenixcontact.com/us/products/1644083>

Please be informed that the data shown in this PDF document is generated from our online catalog. Please find the complete data in the user documentation. Our general terms of use for downloads are valid.



Cable feed-through sleeves, for cable diameters of 8 - 9 mm, a cable binder can be used as strain relief

Commercial data

Item number	1644083
Packing unit	1 pc
Minimum order quantity	1 pc
Note	Made to order (non-returnable)
Sales key	BF66
Product key	AF7AZA
GTIN	4017918895945
Weight per piece (including packing)	5.34 g
Weight per piece (excluding packing)	4.67 g
Customs tariff number	39269097
Country of origin	DE

HC-KDT 8-9 - Cable feed-through sleeve



1644083

<https://www.phoenixcontact.com/us/products/1644083>

Technical data

Material specifications

Material	thermoplastic rubber
Flammability rating according to UL 94	HB

Cable/line

External cable diameter	8 mm ... 9 mm
-------------------------	---------------

Characteristics

Conductor sealing range	8.00 mm ... 9.00 mm
Design, Cable seal	open

Environmental and real-life conditions

Ambient conditions

Degree of protection	IP54
Ambient temperature (operation)	-40 °C ... 125 °C

HC-KDT 8-9 - Cable feed-through sleeve

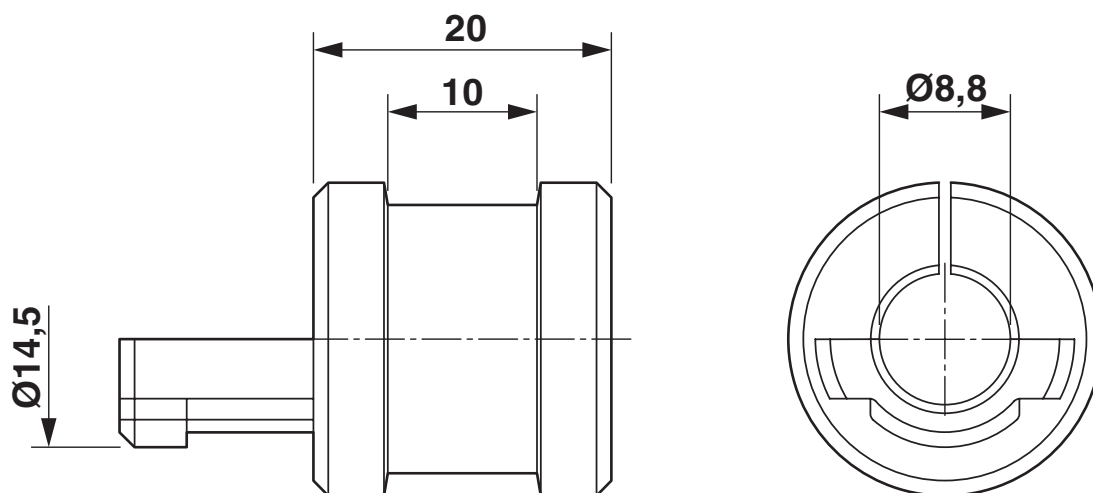


1644083

<https://www.phoenixcontact.com/us/products/1644083>

Drawings

Dimensional drawing



Dimensional drawing

HC-KDT 8-9 - Cable feed-through sleeve



1644083

<https://www.phoenixcontact.com/us/products/1644083>

Classifications

UNSPSC

UNSPSC 21.0	39121448
-------------	----------

HC-KDT 8-9 - Cable feed-through sleeve



1644083

<https://www.phoenixcontact.com/us/products/1644083>

Environmental product compliance

EU RoHS

Fulfills EU RoHS substance requirements	Yes, No exemptions
---	--------------------

China RoHS

Environment friendly use period (EFUP)	EFUP-E
	No hazardous substances above the limits

EU REACH SVHC

REACH candidate substance (CAS No.)	No substance above 0.1 wt%
-------------------------------------	----------------------------

Phoenix Contact 2026 © - all rights reserved
<https://www.phoenixcontact.com>

Phoenix Contact USA
586 Fulling Mill Road
Middletown, PA 17057, United States
(+717) 944-1300
info@phoenixcon.com