

Q 1,5/4FL/24-M20KU-ESA BK - Panel feed-through



1643000

<https://www.phoenixcontact.com/us/products/1643000>

Please be informed that the data shown in this PDF document is generated from our online catalog. Please find the complete data in the user documentation. Our general terms of use for downloads are valid.



Panel feed-through, for external panel mounting, with manual solder/slip-on connection, 4.8 x 0.8 mm, connecting thread M20x1.5, 4-pos.

Your advantages

- Innovative and time saving - QUICKON fast connection for time saving of up to 80 % for on-site connection
- Robust throughout: housing with IP65/IP67 protection for a wide range of applications
- Safer connection with mechanical coding to protect against mismatching, and touch-proof protection in accordance with DIN EN 0105
- Efficient - by using panel feed-throughs, devices no longer need to be opened in order to connect cables

Commercial data

Item number	1643000
Packing unit	10 pc
Minimum order quantity	1 pc
Sales key	BF50
Product key	AF6HAB
GTIN	4017918944186
Weight per piece (including packing)	20.747 g
Weight per piece (excluding packing)	20.49 g
Customs tariff number	85366990
Country of origin	PL

Q 1,5/4FL/24-M20KU-ESA BK - Panel feed-through



1643000

<https://www.phoenixcontact.com/us/products/1643000>

Technical data

Product properties

Product type	Panel feed-through
Number of positions	4
Position marking	1, 2, 3, 4
Number of connections	4

Insulation characteristics

Overvoltage category	III
Degree of pollution	3

Connection data

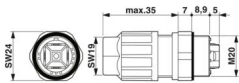
Connection technology

Connection method On the device side	Manual solder/slip on connection (4.8 mm x 0.8 mm)
Connection method On the field side	IDC connection
Frequency of connections between conductors of the same cross section	max. 10 (if the conductor is connected more than once, seal and cap may need to be replaced.)

Conductor connection

Conductor cross-section flexibel	0.75 mm ² ... 1.5 mm ²
Conductor cross-section solid	0.75 mm ² ... 1 mm ²
Connection cross section AWG	18 ... 16
Tightening torque Union nut	3 Nm
Tightening torque Contact carrier	4.5 Nm
Tightening torque Locking nut	4.5 Nm
Wrench size Union nut	19 mm
Wrench size Contact carrier	24 mm

Dimensions

Dimensional drawing	
Width	24 mm
Height	24 mm
Length	55.9 mm

Electrical properties

Rated surge voltage (II/2)	6 kV
Rated surge voltage (III/2)	6 kV
Rated surge voltage (III/3)	6 kV
Rated current	15 A
Contact resistance	< 3 mΩ

Q 1,5/4FL/24-M20KU-ESA BK - Panel feed-through



1643000

<https://www.phoenixcontact.com/us/products/1643000>

rated voltage (II/2)	1000 V (with insulating sleeve)
rated voltage (III/2)	800 V
Rated voltage (III/3)	500 V
Nominal voltage U_N	500 V AC
	500 V DC
Nominal current I_N	15 A (15 A with slip-on sleeve 2.5 mm ² ; 12 A with slip-on sleeve 1.5 mm ² .)

Material specifications

Color	black (RAL 9005)
Material Housing	PA
Material Contact	CuZn
Material Contact surface	tin-plated
Flammability rating according to UL 94	V0
Material wire insulation	PVC / PE

Cable/line

Structure of individual litz in acc. with VDE 0295 / smallest wire diameter	VDE 0295 class 1 to 6/min. 0.15 mm
External cable diameter	6 mm ... 12 mm
Wire diameter including insulation	1.8 mm ... 3 mm
Position marking	1, 2, 3, 4
Material wire insulation	PVC / PE

Mounting

Mounting type	Front mounting M20
Assembly note	If the conductor is reconnected, it must be cut off above the last contact point. QUICKON components may only be operated when under no load.

Environmental and real-life conditions

Ambient conditions

Degree of protection	IP65
	IP67
Impact strength	IK07
Ambient temperature (operation)	-40 °C ... 80 °C
	-25 °C ... 50 °C
Temperature when conductor connected	-5 °C ... 50 °C

Q 1,5/4FL/24-M20KU-ESA BK - Panel feed-through

1643000

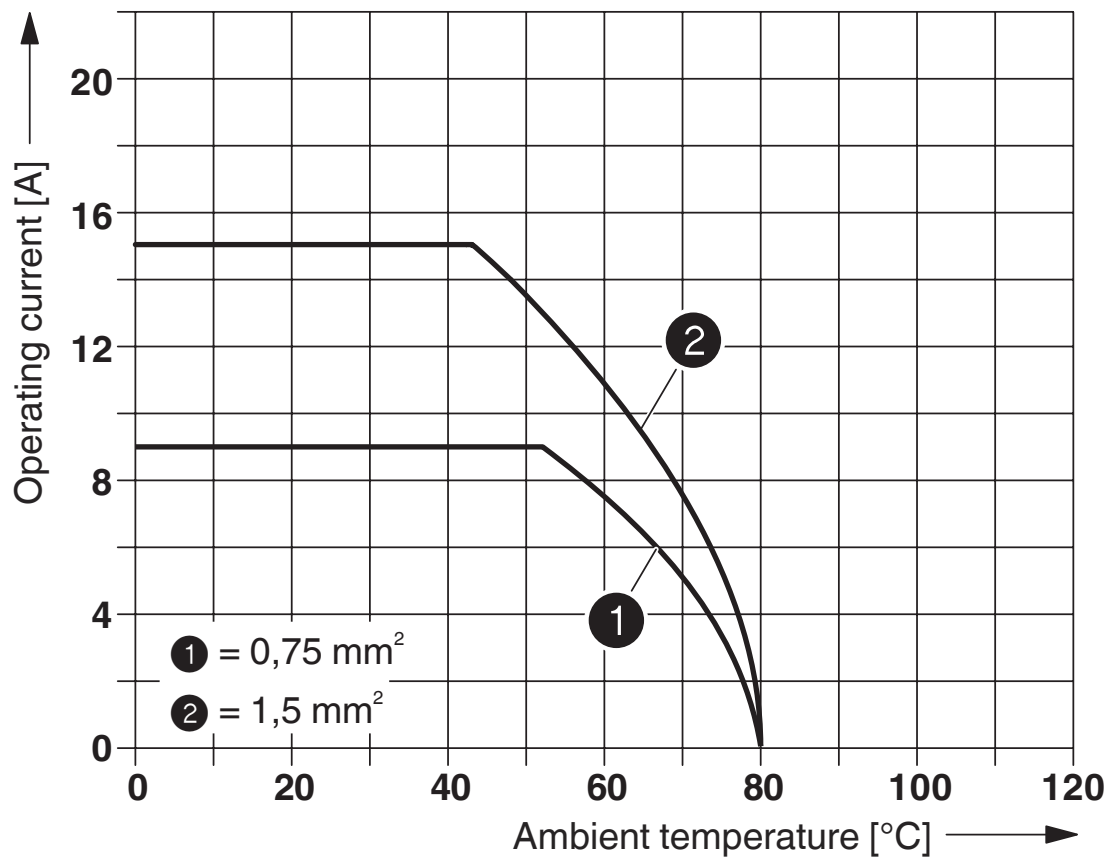
<https://www.phoenixcontact.com/us/products/1643000>

Drawings

Dimensional drawing



Diagram



Q 1,5/4FL/24-M20KU-ESA BK - Panel feed-through



1643000

<https://www.phoenixcontact.com/us/products/1643000>

Approvals


To download certificates, visit the product detail page: <https://www.phoenixcontact.com/us/products/1643000>

 cUL Recognized Approval ID: E118976				
	Nominal voltage U_N	Nominal current I_N	Cross section AWG	Cross section mm^2
keine				
	250 V	11 A	-	-

 UL Recognized Approval ID: E118976				
	Nominal voltage U_N	Nominal current I_N	Cross section AWG	Cross section mm^2
keine				
	250 V	15 A	-	-

 EAC Approval ID: RU C-DE.AI30.B.01102				
-------------------------------------------------------------------------------------------------------------------------------------	--	--	--	--

 EAC Approval ID: RU C-DE.A*30.B.01102				
-------------------------------------------------------------------------------------------------------------------------------------	--	--	--	--

 VDE approval of drawings Approval ID: 40032336				
	Nominal voltage U_N	Nominal current I_N	Cross section AWG	Cross section mm^2
keine				
	500 V	-	-	0.75 - 1.5

Q 1,5/4FL/24-M20KU-ESA BK - Panel feed-through



1643000

<https://www.phoenixcontact.com/us/products/1643000>

Classifications

ECLASS

ECLASS-13.0	27440602
ECLASS-15.0	27440602

ETIM

ETIM 10.0	EC002566
-----------	----------

UNSPSC

UNSPSC 21.0	39121500
-------------	----------

Q 1,5/4FL/24-M20KU-ESA BK - Panel feed-through



1643000

<https://www.phoenixcontact.com/us/products/1643000>

Environmental product compliance

EU RoHS

Fulfills EU RoHS substance requirements	Yes, No exemptions
-----------------------------------------	--------------------

China RoHS

Environment friendly use period (EFUP)	EFUP-E
	No hazardous substances above the limits

EU REACH SVHC

REACH candidate substance (CAS No.)	No substance above 0.1 wt%
-------------------------------------	----------------------------

EF3.1 Climate Change

CO2e kg	0.349 kg CO2e
---------	---------------

Phoenix Contact 2026 © - all rights reserved
<https://www.phoenixcontact.com>

Phoenix Contact USA
586 Fulling Mill Road
Middletown, PA 17057, United States
(+717) 944-1300
info@phoenixcon.com