

Q-MU M20 - Nut

1640702

<https://www.phoenixcontact.com/us/products/1640702>



Please be informed that the data shown in this PDF document is generated from our online catalog. Please find the complete data in the user documentation. Our general terms of use for downloads are valid.

Nut (plastic) to lock the contact carrier from the inside of the device



Commercial data

Item number	1640702
Packing unit	25 pc
Minimum order quantity	25 pc
Sales key	BF50
Product key	AF6ZWX
GTIN	4017918176815
Weight per piece (including packing)	2.285 g
Weight per piece (excluding packing)	2.2 g
Customs tariff number	39269097
Country of origin	DE

Q-MU M20 - Nut

1640702

<https://www.phoenixcontact.com/us/products/1640702>



Technical data

Product properties

Product type	Mounting material
--------------	-------------------

Material specifications

Color	green (RAL 6021)
Material Housing	Plastic

Mounting

Mounting type	M20
---------------	-----

Q-MU M20 - Nut

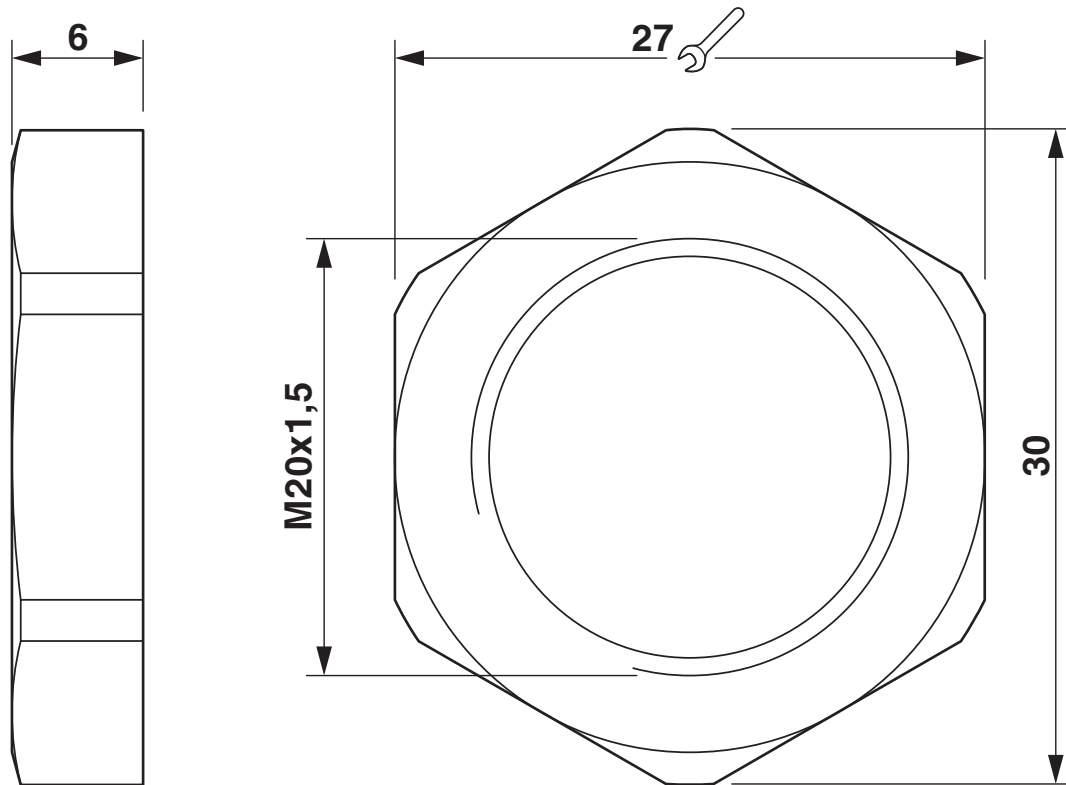
1640702

<https://www.phoenixcontact.com/us/products/1640702>



Drawings

Dimensional drawing



Q-MU M20 - Nut



1640702

<https://www.phoenixcontact.com/us/products/1640702>

Classifications

ECLASS

ECLASS-13.0	27440691
ECLASS-15.0	27440691

ETIM

ETIM 10.0	EC002863
-----------	----------

UNSPSC

UNSPSC 21.0	39121400
-------------	----------

Q-MU M20 - Nut



1640702

<https://www.phoenixcontact.com/us/products/1640702>

Environmental product compliance

EU RoHS

Fulfills EU RoHS substance requirements	Yes, No exemptions
---	--------------------

China RoHS

Environment friendly use period (EFUP)	EFUP-E
	No hazardous substances above the limits

EU REACH SVHC

REACH candidate substance (CAS No.)	No substance above 0.1 wt%
-------------------------------------	----------------------------

Phoenix Contact 2026 © - all rights reserved
<https://www.phoenixcontact.com>

Phoenix Contact USA
586 Fulling Mill Road
Middletown, PA 17057, United States
(+717) 944-1300
info@phoenixcon.com