

Q 0,75/3FL/9-9KU-ESA BK - Panel feed-through



1640595

<https://www.phoenixcontact.com/us/products/1640595>

Please be informed that the data shown in this PDF document is generated from our online catalog. Please find the complete data in the user documentation. Our general terms of use for downloads are valid.



QUICKON panel feed-through, for external panel mounting with manual solder/slip-on connection, 2.8 x 0.8 mm, 3-pos.

Commercial data

Item number	1640595
Packing unit	10 pc
Minimum order quantity	10 pc
Note	Made to order (non-returnable)
Sales key	BF50
Product key	AF6HAA
GTIN	4017918173371
Weight per piece (including packing)	16.69 g
Weight per piece (excluding packing)	16.31 g
Customs tariff number	85369010
Country of origin	PL

Technical data

Product properties

Product type	Panel feed-through
Number of positions	3
Number of connections	3

Connection data

Connection technology

Connection method On the device side	Manual solder/slip on connection
Frequency of connections between conductors of the same cross section	10 (if the conductor is connected more than once, seal and cap may need to be replaced.)

Conductor connection

Conductor cross-section flexibel	0.34 mm ² ... 0.75 mm ²
Conductor cross-section solid	0.34 mm ² ... 0.75 mm ²
Tightening torque Union nut	2.5 Nm
Tightening torque Contact carrier	3.75 Nm
Tightening torque Locking nut	3.75 Nm
Wrench size Union nut	19 mm
Wrench size Contact carrier	19 mm

Electrical properties

Rated voltage (III/3)	160 V (with insulating sleeve)
Nominal current I _N	9 A

Material specifications

Color	black (RAL 9005)
Flammability rating according to UL 94	V0
Material wire insulation	PVC / PE
Contact material	Cu alloy
Contact surface material	Pre-nickel plated and tin-plated
Contact carrier material	PA

Cable/line

Structure of individual litz in acc. with VDE 0295 / smallest wire diameter	Class 2-6 // 0.34 mm ² : 0.1 mm; 0.5 - 0.75 mm ² : 0.15 mm
Wire diameter including insulation	2.5 mm

Mounting

Mounting type	Pg9
Assembly note	If the conductor is reconnected, it must be cut off above the last contact point. QUICKON components may only be operated when under no load.

Q 0,75/3FL/9-9KU-ESA BK - Panel feed-through



1640595

<https://www.phoenixcontact.com/us/products/1640595>

Environmental and real-life conditions

Ambient conditions

Degree of protection	IP65
	IP67
Impact strength	IK06
Ambient temperature (operation)	-25 °C ... 80 °C (Specifications of the cable manufacturer must be observed.)
	-25 °C ... 50 °C (when the conductor is connected. Specifications of the cable manufacturer must also be observed.)

Q 0,75/3FL/9-9KU-ESA BK - Panel feed-through

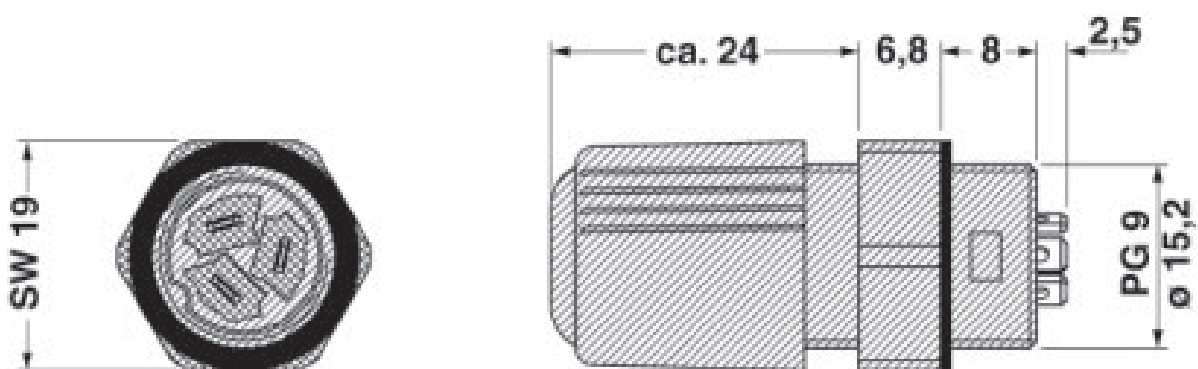


1640595

<https://www.phoenixcontact.com/us/products/1640595>

Drawings

Dimensional drawing



Q 0,75/3FL/9-9KU-ESA BK - Panel feed-through



1640595

<https://www.phoenixcontact.com/us/products/1640595>

Classifications

ECLASS

ECLASS-13.0	27440602
ECLASS-15.0	27440602

UNSPSC

UNSPSC 21.0	39121400
-------------	----------

Q 0,75/3FL/9-9KU-ESA BK - Panel feed-through



1640595

<https://www.phoenixcontact.com/us/products/1640595>

Environmental product compliance

EU RoHS

Fulfills EU RoHS substance requirements	Yes, No exemptions
---	--------------------

China RoHS

Environment friendly use period (EFUP)	EFUP-50
	An article-related China RoHS declaration table can be found in the download area for the respective article under "Manufacturer declaration". For all articles with EFUP-E, no China RoHS declaration table issued and required.

EU REACH SVHC

REACH candidate substance (CAS No.)	No substance above 0.1 wt%
-------------------------------------	----------------------------

Phoenix Contact 2026 © - all rights reserved
<https://www.phoenixcontact.com>

Phoenix Contact USA
586 Fulling Mill Road
Middletown, PA 17057, United States
(+717) 944-1300
info@phoenixcon.com