

# HC-CST-MOD - Coding element



1636127

<https://www.phoenixcontact.com/us/products/1636127>

Please be informed that the data shown in this PDF document is generated from our online catalog. Please find the complete data in the user documentation. Our general terms of use for downloads are valid.

Coding peg for coding up to 16 connectors, for HC Modular



## Commercial data

Item number	1636127
Packing unit	10 pc
Minimum order quantity	10 pc
Sales key	BF61
Product key	AF7ABZ
GTIN	4017918963057
Weight per piece (including packing)	1.96 g
Weight per piece (excluding packing)	1.89 g
Customs tariff number	73181558
Country of origin	CN

# HC-CST-MOD - Coding element



1636127

<https://www.phoenixcontact.com/us/products/1636127>

## Technical data

### Product properties

Product type	Coding element
--------------	----------------

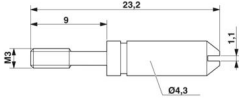
### Mounting

Assembly note	Coding pins and sockets are required for the modules HC-M-DSUB.... and HC-M-25-MOD...
---------------	---

### Material specifications

Material	Steel, galvanized
----------	-------------------

### Dimensions

Dimensional drawing	
Width	4.3 mm
Height	4.3 mm
Length	23.2 mm

### Notes

Notes on operation	Prevents most cases of the connector being inserted at an angle
--------------------	---

# HC-CST-MOD - Coding element

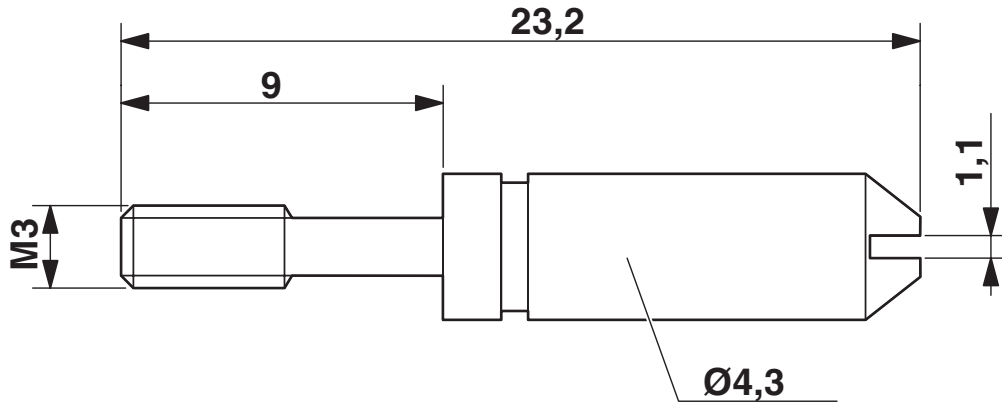


1636127

<https://www.phoenixcontact.com/us/products/1636127>

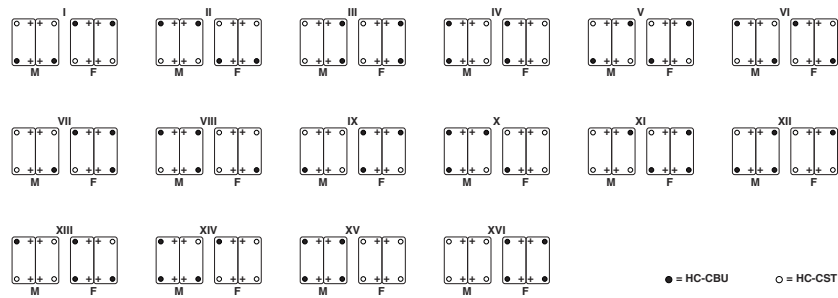
## Drawings

Dimensional drawing



Dimensional drawing

Circuit diagram



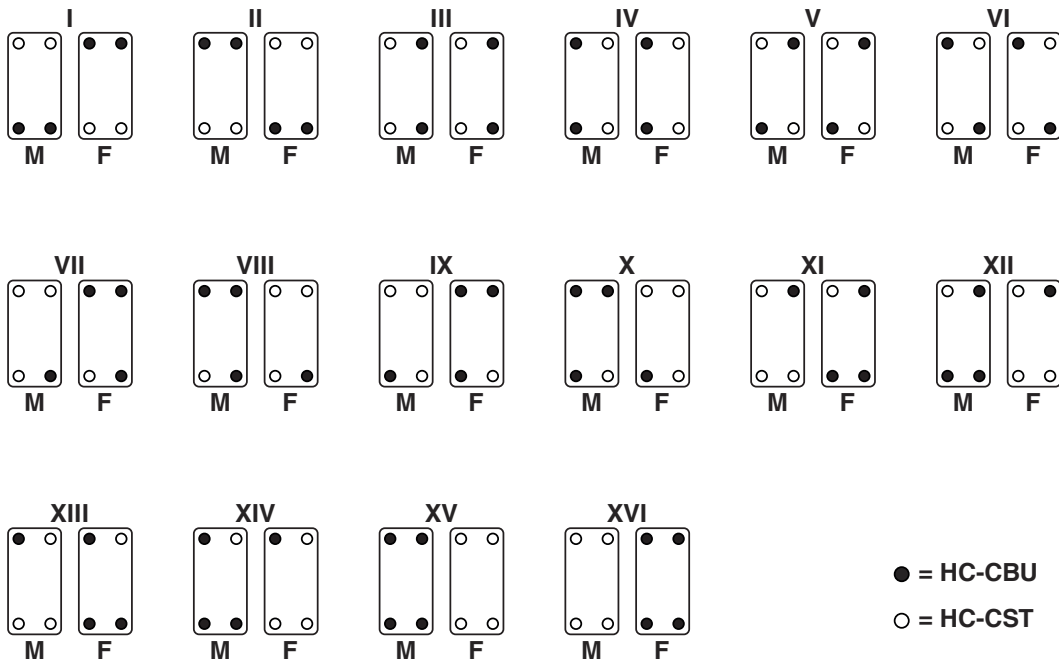
Coding for housings with two contact inserts

# HC-CST-MOD - Coding element

1636127

<https://www.phoenixcontact.com/us/products/1636127>

## Circuit diagram



Coding for housings with one contact insert

# HC-CST-MOD - Coding element



1636127

<https://www.phoenixcontact.com/us/products/1636127>

## Classifications

### ECLASS

ECLASS-13.0	27440203
ECLASS-15.0	27440203

### ETIM

ETIM 10.0	EC002311
-----------	----------

### UNSPSC

UNSPSC 21.0	39121400
-------------	----------

# HC-CST-MOD - Coding element



1636127

<https://www.phoenixcontact.com/us/products/1636127>

## Environmental product compliance

### EU RoHS

Fulfills EU RoHS substance requirements	Yes, No exemptions
---	--------------------

### China RoHS

Environment friendly use period (EFUP)	EFUP-E
	No hazardous substances above the limits

### EU REACH SVHC

REACH candidate substance (CAS No.)	No substance above 0.1 wt%
-------------------------------------	----------------------------

### EF3.1 Climate Change

CO2e kg	0.136 kg CO2e
---------	---------------

Phoenix Contact 2026 © - all rights reserved  
<https://www.phoenixcontact.com>

Phoenix Contact USA  
586 Fulling Mill Road  
Middletown, PA 17057, United States  
(+717) 944-1300  
[info@phoenixcon.com](mailto:info@phoenixcon.com)