

M23-5ES198A80DN - Cable connector



1628823

<https://www.phoenixcontact.com/us/products/1628823>

Please be informed that the data shown in this PDF document is generated from our online catalog. Please find the complete data in the user documentation. Our general terms of use for downloads are valid.



M23, Cable connector, application: Power, series: M23 PRO, straight short, shielded: yes, Screw locking mechanism, No. of pos.: 5+PE, contact connection type: Socket, Crimp connection, cable diameter range: 5.5 mm ... 15 mm, coding: N, Item is lead-free in accordance with RoHS II without Exemption 6c (Pb < 0.1 %)

The figure shows the product with assembled crimp contacts. Please order crimp contacts separately.

Your advantages

- Solutions with cross-manufacturer compatibility for standard and fast locking systems
- Reliable under the harshest conditions: cable connectors with vibration brake
- Modern, consistent design for highly convenient operation
- Easy, cost-effective cable assembly: uniform shielding of M17 to M40

Commercial data

| | |
|--------------------------------------|---------------|
| Item number | 1628823 |
| Packing unit | 1 pc |
| Minimum order quantity | 1 pc |
| Sales key | AB30 |
| Product key | ABRBBA |
| GTIN | 4055626617596 |
| Weight per piece (including packing) | 143.2 g |
| Weight per piece (excluding packing) | 126.886 g |
| Customs tariff number | 85366990 |
| Country of origin | DE |

Technical data

Notes

| | |
|--------------------|--|
| Order information: | Order crimp contacts 6 x Ø 2 mm separately |
|--------------------|--|

Safety note

| | |
|--|--|
| Safety note | <p>WARNING: The connectors may not be plugged in or disconnected under load. Ignoring the warning or improper use may damage persons and/or property.</p> |
| | <ul style="list-style-type: none"> • WARNING: Commission properly functioning products only. The products must be regularly inspected for damage. Decommission defective products immediately. Replace damaged products. Repairs are not possible. |
| | <ul style="list-style-type: none"> • WARNING: Only electrically qualified personnel may install and operate the product. They must observe the following safety notes. The qualified personnel must be familiar with the basics of electrical engineering. They must be able to recognize and prevent danger. The relevant symbol on the packaging indicates that only personnel familiar with electrical engineering are allowed to install and operate the product. |
| | <ul style="list-style-type: none"> • The products are suitable for applications in plant, controller, and electrical device engineering. |
| | <ul style="list-style-type: none"> • When operating the connectors in outdoor applications, they must be separately protected against environmental influences. |
| | <ul style="list-style-type: none"> • Assembled products may not be manipulated or improperly opened. |
| | <ul style="list-style-type: none"> • Only use mating connectors that are specified in the technical data of the standards listed (e.g. the ones listed in the product accessories online at phoenixcontact.com/products). |
| | <ul style="list-style-type: none"> • When using the product in direct connection with third-party manufacturers, the user is responsible. |
| | <ul style="list-style-type: none"> • For operating voltages > 50 V AC, conductive connector housings must be grounded |
| | <ul style="list-style-type: none"> • Ensure that the protective or functional ground has been properly connected. |
| | <ul style="list-style-type: none"> • VDE 0100/1.97 § 411.1.3.2 and DIN EN 60 204/11.98 § 14.1.3 are applicable when combining several circuits in a cable and/or connector |
| | <ul style="list-style-type: none"> • Only use tools recommended by Phoenix Contact |
| | <ul style="list-style-type: none"> • The installation notes/Design In documents online on the download page at phoenixcontact.com/products must be observed for this product. |
| | <ul style="list-style-type: none"> • Operate the connector only when it is fully plugged in and interlocked. |
| <ul style="list-style-type: none"> • Ensure that when laying the cable, the tensile load on the connectors does not exceed the upper limit specified in the standards. | |
| <ul style="list-style-type: none"> • Observe the minimum bending radius of the cable. Lay the cable without twisting it. | |
| <ul style="list-style-type: none"> • The connector warms up in normal operation. Depending on the ambient conditions, the surface of the connector can continue to warm up. In this case, the user is responsible for posting | |

M23-5ES198A80DN - Cable connector



1628823

<https://www.phoenixcontact.com/us/products/1628823>

warnings (e.g. DIN EN ISO 13732-1:2008-12).

Product properties

| | |
|----------------|---------------------------------|
| Product type | Circular connector (cable-side) |
| Product family | M23 PRO |

Connector

Connection 1

| | |
|-------------|--------|
| Head design | Socket |
|-------------|--------|

Insulating body

| | |
|---|---|
| Note | Order information: Order crimp contacts 6 x Ø 2 mm separately |
| Coding | N |
| Material (Insulating body) | PA 6.6 |
| Insertion/withdrawal cycles | 100 |
| Connection method | Crimp connection |
| Contact switching type | Socket |
| Application | Power |
| Number of positions | 6 |
| Connection profile | 5+PE |
| Installation height | 3000 m |
| Number (Contact group 1) | 6 |
| Contact diameter (Contact group 1) | 2 mm |
| Litz wires Min. cross section (Contact group 1) | 0.25 mm ² |
| Litz wires Max. cross section (Contact group 1) | 4 mm ² |
| Rated current Contact (Contact group 1) | 30 A (for max. connection cross section) |
| Rated voltage Contact (Contact group 1) | 630 V |
| Rated surge voltage | 6 kV |
| Overvoltage category | III |
| Degree of pollution | 3 |

Housing

| | |
|-----------------------------------|------------------------------|
| Type | Cable connector housing |
| Thread type | M23 |
| Design | straight short |
| Type of locking | Screw locking mechanism |
| Pg screw connection | none |
| Housing material | GD-Zn |
| Degree of protection (plugged in) | IP66/IP68 (2 m / 24 h) IP69K |

Seal

| | |
|-------------------------|-------------------------------------|
| External cable diameter | 5.5 mm ... 15 mm (Universal gasket) |
| Seal material | FKM |

Environmental and real-life conditions

M23-5ES198A80DN - Cable connector



1628823

<https://www.phoenixcontact.com/us/products/1628823>

Ambient conditions

| | |
|---------------------------------|-------------------------------------|
| Ambient temperature (operation) | -40 °C ... 105 °C (see to derating) |
| Permanent temperature | 125 °C (DIN EN 60512-9-2 / 1000 h) |

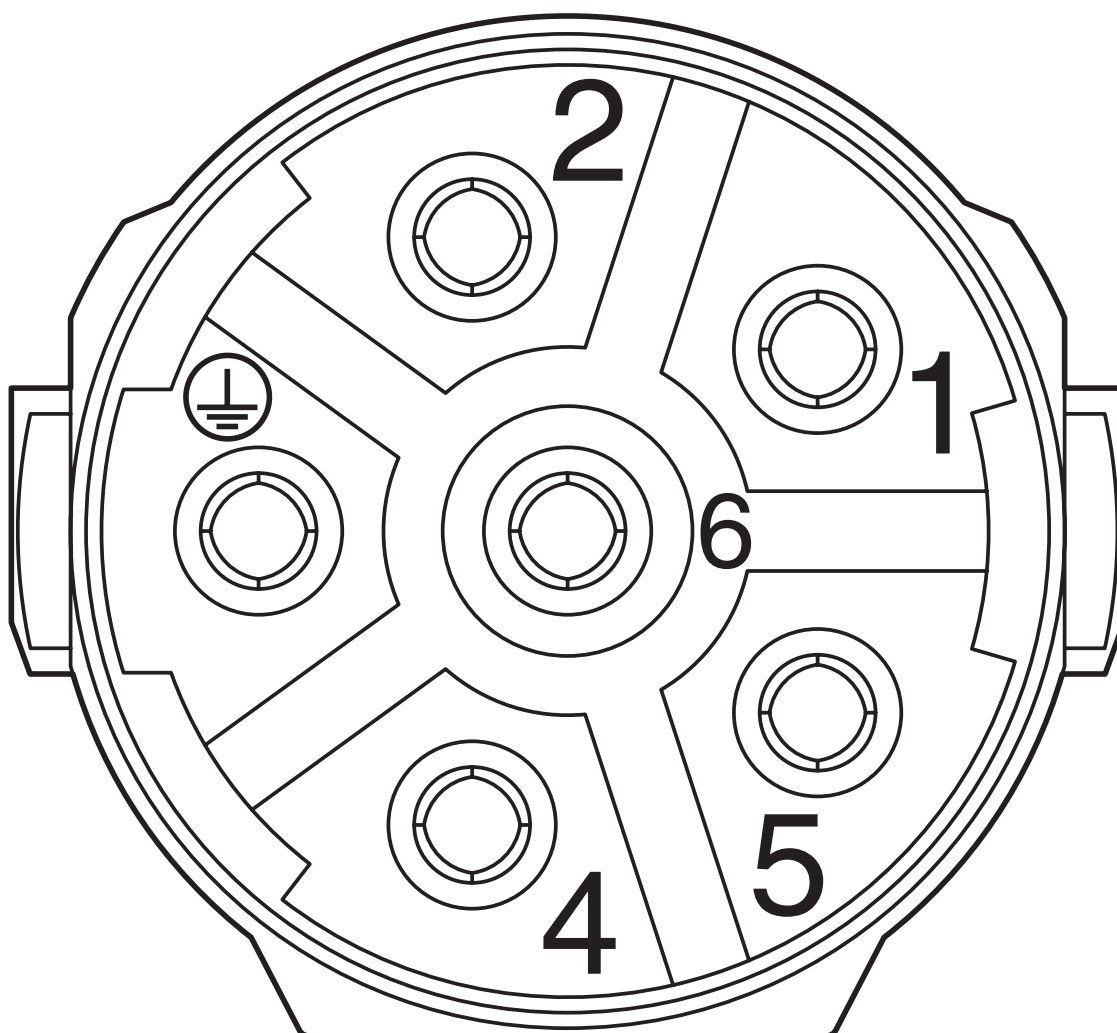
M23-5ES198A80DN - Cable connector

1628823

<https://www.phoenixcontact.com/us/products/1628823>

Drawings

Schematic diagram



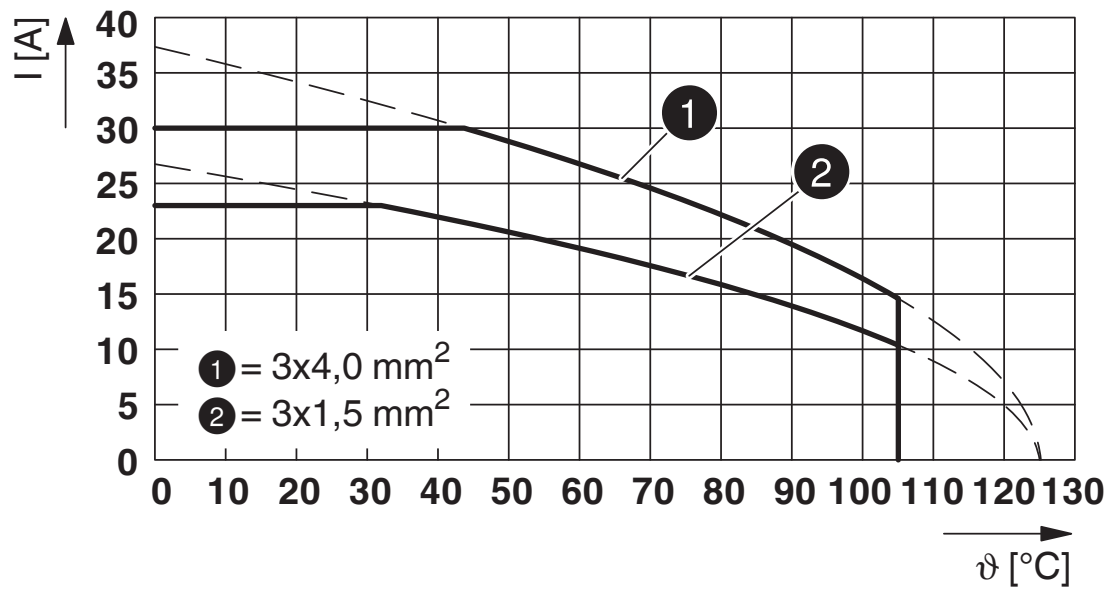
Connector pin assignment

M23-5ES198A80DN - Cable connector

1628823

<https://www.phoenixcontact.com/us/products/1628823>

Diagram



I = current strength, ϑ = ambient temperature, 3 x 30 A (curve 1), 3 x 24 A (curve 2)

M23-5ES198A80DN - Cable connector



1628823

<https://www.phoenixcontact.com/us/products/1628823>

Approvals

To download certificates, visit the product detail page: <https://www.phoenixcontact.com/us/products/1628823>



UL Listed

Approval ID: E468743-20190627



cUL Listed

Approval ID: E468743-20190627

M23-5ES198A80DN - Cable connector



1628823

<https://www.phoenixcontact.com/us/products/1628823>

Classifications

ECLASS

| | |
|-------------|----------|
| ECLASS-13.0 | 27440116 |
| ECLASS-15.0 | 27440116 |

ETIM

| | |
|-----------|----------|
| ETIM 10.0 | EC002635 |
|-----------|----------|

UNSPSC

| | |
|-------------|----------|
| UNSPSC 21.0 | 39121400 |
|-------------|----------|

M23-5ES198A80DN - Cable connector



1628823

<https://www.phoenixcontact.com/us/products/1628823>

Environmental product compliance

EU RoHS

| | |
|---|--------------------|
| Fulfills EU RoHS substance requirements | Yes, No exemptions |
|---|--------------------|

China RoHS

| | |
|--|--|
| Environment friendly use period (EFUP) | EFUP-E |
| | No hazardous substances above the limits |

EU REACH SVHC

| | |
|-------------------------------------|----------------------------|
| REACH candidate substance (CAS No.) | No substance above 0.1 wt% |
|-------------------------------------|----------------------------|

Phoenix Contact 2026 © - all rights reserved
<https://www.phoenixcontact.com>

Phoenix Contact USA
586 Fulling Mill Road
Middletown, PA 17057, United States
(+717) 944-1300
info@phoenixcon.com