

EV-GBG3JK-1AC16A-5,0M2,5ESBK11 - AC charging cable



1628380

<https://www.phoenixcontact.com/us/products/1628380>

Please be informed that the data shown in this PDF document is generated from our online catalog. Please find the complete data in the user documentation. Our general terms of use for downloads are valid.



CHARX connect, GB/T, Mobile AC charging cable, 16 A permanent, 250 V AC, with vehicle charging connector and infrastructure charging plug, black, straight, with protective cap, with locking option for padlock, PHOENIX CONTACT logo, GB/T 20234.2-2015, GB/T 18487.1-2015, for charging electric vehicles (EV) with alternating current (AC) via GB/T vehicle charging inlets

Product description

Mobile AC charging cable with vehicle connector and infrastructure plug for charging electric vehicles (EV) with alternating current (AC), via a GB/T vehicle charging inlet, compatible with GB/T Infrastructure Socket Outlets at charging stations for E-Mobility (EVSE)

Your advantages

- Complete product range
- Convenient handling due to the ergonomic, triple award-winning design
- Available with your logo on request - for consistent branding of your charging station
- Longitudinal water tightness reliably prevents water ingress
- Developed and produced in accordance with the IATF 16949 automotive standard and ISO 9001
- Tested in accordance with automotive standards LV124, LV214, and LV215-2
- Tested in accordance with EV Ready 37 requirements

Commercial data

Item number	1628380
Packing unit	1 pc
Minimum order quantity	1 pc
Note	Made to order (non-returnable)
Sales key	EM01
Product key	XWBAEF
GTIN	4055626430034
Weight per piece (including packing)	2,001 g
Weight per piece (excluding packing)	2,001 g
Customs tariff number	85444290
Country of origin	DE

EV-GBG3JK-1AC16A-5,0M2,5ESBK11 - AC charging cable



1628380

<https://www.phoenixcontact.com/us/products/1628380>

Technical data

Product properties

Product type	AC charging cable
Product family	CHARX connect
Type	Mobile AC charging cable with vehicle charging connector and infrastructure charging plug
Design	with protective cap with locking option for padlock
Charging standard	GB/T
Charging mode	Mode 3, Case B
Affixed logo	PHOENIX CONTACT logo
Customer variations	On request

Electrical properties

Type of signal transmission	Pulse width modulation
Note on the connection method	Crimp connection, cannot be disconnected
Coding	680 Ω (between PE and CC)

Charging power and current (AC charging, 1-phase)

Type of charging current	AC single-phase
Charging current	16 A AC (1-phase)
Charging power	4 kW

Pin assignment (Power contacts)

Number	3 (L, N, PE)
Rated voltage	250 V
Rated current	16 A

Pin assignment (Signal contacts)

Number	2 (CP, CC)
Rated voltage	30 V AC
Rated current	2 A

Dimensions

Vehicle charging connector

Dimensional drawing	<p>Vehicle connector</p>
Width	58 mm

EV-GBG3JK-1AC16A-5,0M2,5ESBK11 - AC charging cable



1628380

<https://www.phoenixcontact.com/us/products/1628380>

Height	151.3 mm
Depth	238.7 mm

Material specifications

Color (Housing)	black (9005)
Color (Handle area)	black (9005)
Color (Mating face)	black (9005)
Color (Protective cap)	black (9005)
Color (Cable)	black (9005)
Material (Vehicle charging connector)	Plastic
Material (Infrastructure charging plug)	Plastic
Material (Cable outer sheath)	TPE-U
Material (Contact surface)	Silver

Cable/line

Wiring standards/regulations	prEN 50620/DIN EN 50620
Wiring certifications	VDE
Cable weight	max. 163.00 kg/km
Cable type	Class 5
Cable type	straight
Cable structure	3 x 2.5 mm ² + 1 x 0.5 mm ²
External cable diameter	10.20 mm ±0.3 mm
Outer sheath, material	TPE-U
Cable resistance	≤ 0.00798 Ω/m (based on a power core, at an ambient temperature of 20°C)
Bending radius	min. 153 mm (15x diameter)
Cable type	Class 5
Wiring certifications	VDE
Wiring standards/regulations	prEN 50620/DIN EN 50620

Mechanical properties

Mechanical data

Insertion/withdrawal cycles	> 10000
Insertion force	< 100 N
Withdrawal force	< 100 N

Environmental and real-life conditions

Ambient conditions

Degree of protection (Vehicle charging inlet)	IP55 (plugged in; when plugged in and ready to operate, the degree of protection is only ensued if both plug-in components are original products from Phoenix Contact or suitable standard-compliant products)
Degree of protection (Infrastructure charging plug)	IP55 (plugged in; when plugged in and ready to operate, the degree of protection is only ensued if both plug-in components are original products from Phoenix Contact or suitable standard-

EV-GBG3JK-1AC16A-5,0M2,5ESBK11 - AC charging cable



1628380

<https://www.phoenixcontact.com/us/products/1628380>

	compliant products)
Degree of protection (Protective cap)	IP54
Ambient temperature (operation)	-30 °C ... 50 °C
Ambient temperature (storage/transport)	-40 °C ... 80 °C
Altitude	5000 m (above sea level)

Standards and regulations

Standards

Standards/regulations	GB/T 20234.2-2015
	GB/T 18487.1-2015

EV-GBG3JK-1AC16A-5,0M2,5ESBK11 - AC charging cable



1628380

<https://www.phoenixcontact.com/us/products/1628380>

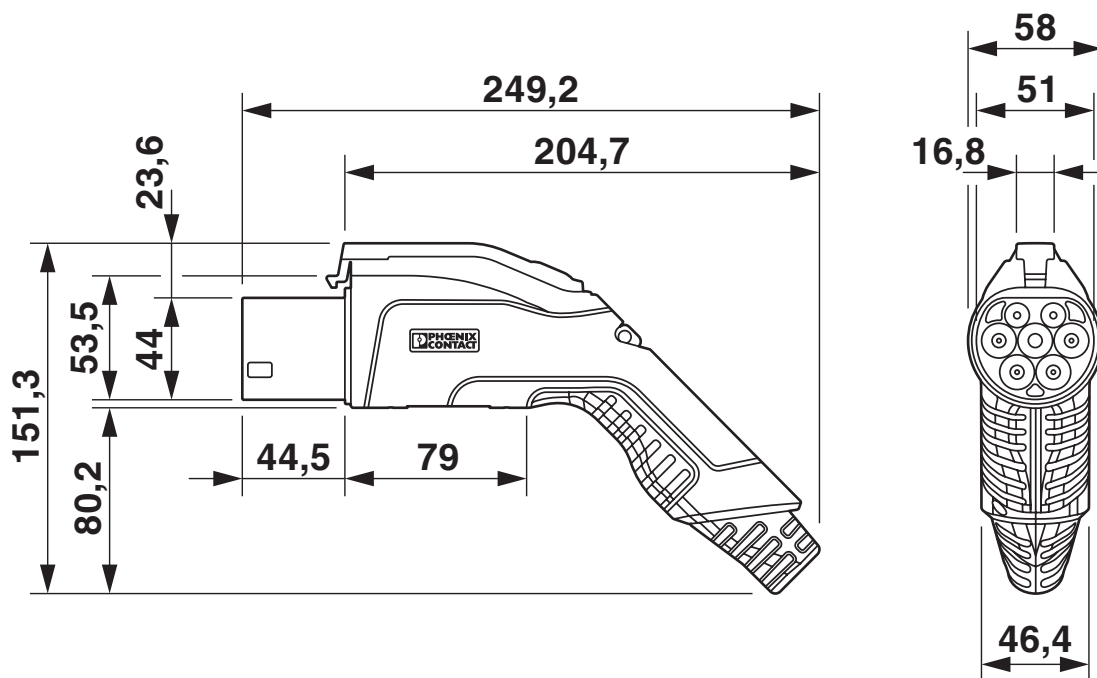
Drawings

Dimensional drawing



Vehicle connector

Dimensional drawing



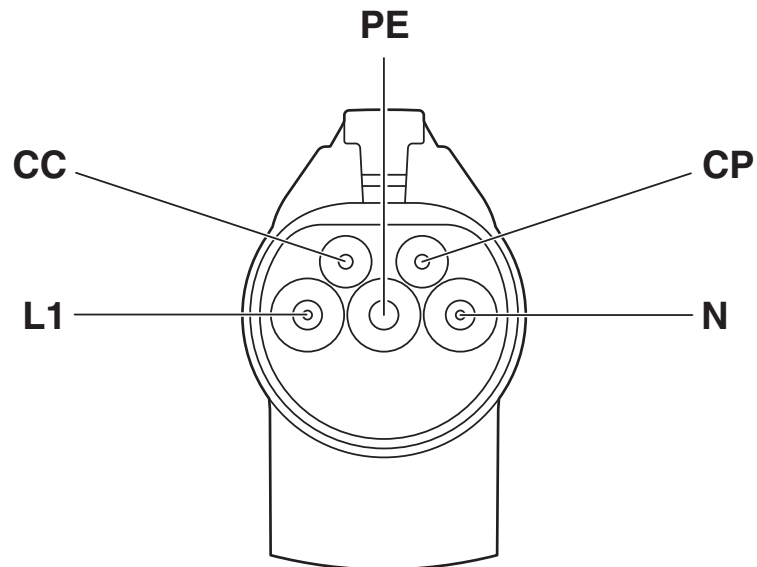
Infrastructure plug

EV-GBG3JK-1AC16A-5,0M2,5ESBK11 - AC charging cable

1628380

<https://www.phoenixcontact.com/us/products/1628380>

Connection diagram



Pin assignment of Infrastructure Plug

EV-GBG3JK-1AC16A-5,0M2,5ESBK11 - AC charging cable

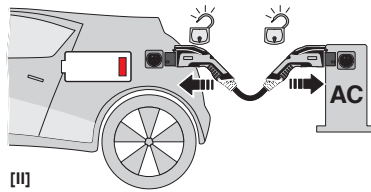
1628380

<https://www.phoenixcontact.com/us/products/1628380>

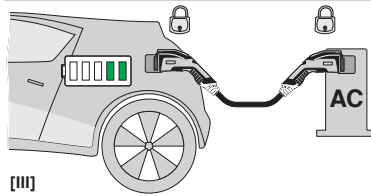
Schematic diagram



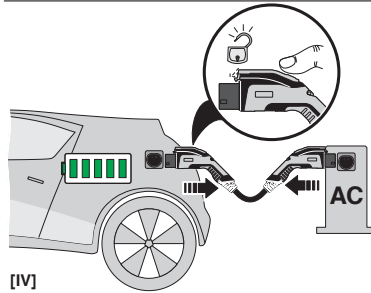
[I]



[II]



[III]



[IV]



[V]

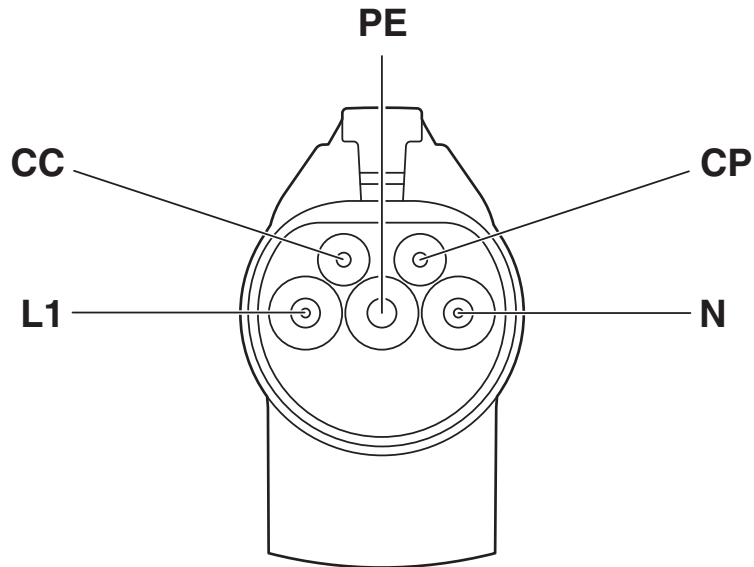
Operating instructions

EV-GBG3JK-1AC16A-5,0M2,5ESBK11 - AC charging cable

1628380

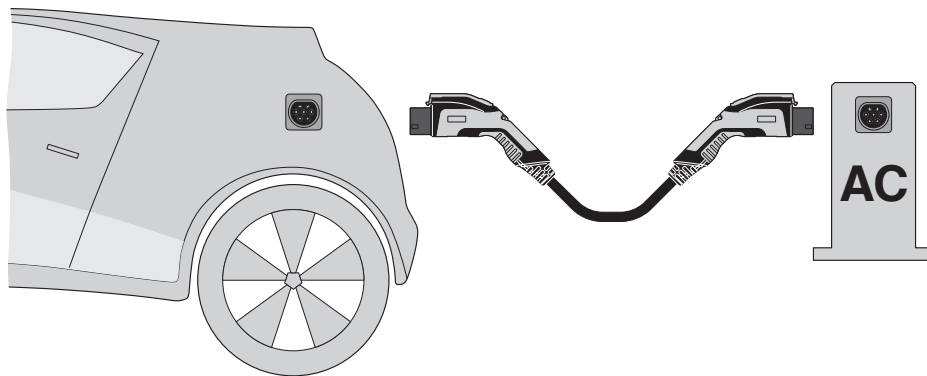
<https://www.phoenixcontact.com/us/products/1628380>

Schematic diagram



Pin assignment of the Vehicle Connector

Schematic diagram



Terminology definition

EV-GBG3JK-1AC16A-5,0M2,5ESBK11 - AC charging cable



1628380

<https://www.phoenixcontact.com/us/products/1628380>

Environmental product compliance

China RoHS

Environment friendly use period (EFUP)	EFUP-10
	An article-related China RoHS declaration table can be found in the download area for the respective article under "Manufacturer declaration". For all articles with EFUP-E, no China RoHS declaration table issued and required.

EU REACH SVHC

REACH candidate substance (CAS No.)	No substance above 0.1 wt%
-------------------------------------	----------------------------

Phoenix Contact 2026 © - all rights reserved
<https://www.phoenixcontact.com>

Phoenix Contact USA
586 Fulling Mill Road
Middletown, PA 17057, United States
(+717) 944-1300
info@phoenixcon.com