

# EV-T2AC-PARK - Charging connector holder



1624148

<https://www.phoenixcontact.com/us/products/1624148>

Please be informed that the data shown in this PDF document is generated from our online catalog. Please find the complete data in the user documentation. Our general terms of use for downloads are valid.



CHARX connect, Type 2, Charging connector holder, Accessories, Front mounting, housing: black, for vehicle charging connectors on charging stations (EVSE), PHOENIX CONTACT logo, IEC 62196-2

## Product description

Retainer for Vehicle Connector as parking position at charging stations for E-Mobility (EVSE)

## Your advantages

- Developed and produced in accordance with the IATF 16949 automotive standard and ISO 9001
- Individual branding, thanks to the use your own logo

## Commercial data

|                                      |               |
|--------------------------------------|---------------|
| Item number                          | 1624148       |
| Packing unit                         | 1 pc          |
| Minimum order quantity               | 1 pc          |
| Sales key                            | EM01          |
| Product key                          | XWBDYY        |
| GTIN                                 | 4055626242828 |
| Weight per piece (including packing) | 137.4 g       |
| Weight per piece (excluding packing) | 80 g          |
| Customs tariff number                | 39269097      |
| Country of origin                    | PL            |

# EV-T2AC-PARK - Charging connector holder



1624148

<https://www.phoenixcontact.com/us/products/1624148>

## Technical data

### Product properties

|                     |                           |
|---------------------|---------------------------|
| Product type        | Charging connector holder |
| Product family      | CHARX connect             |
| Type                | Accessories               |
| Charging standard   | Type 2                    |
| Charging mode       | Mode 3                    |
| Affixed logo        | PHOENIX CONTACT logo      |
| Customer variations | On request                |

### Material specifications

|  |              |
|--|--------------|
| Color (Housing)                        | black (9005) |
| Material (Housing)                     | Plastic      |
| Flammability rating according to UL 94 | V0 ()        |

### Mechanical properties

|          |  |
|----------|--|
| Securing | With locking clips for locking contour |
| Removal  | Lifting and removal                    |

### Environmental and real-life conditions

#### Ambient conditions

|   |                   |
|---|-------------------|
| Degree of protection                    | IP54 (plugged in) |
| Ambient temperature (operation)         | -30 °C ... 50 °C  |
| Ambient temperature (storage/transport) | -40 °C ... 80 °C  |

### Standards and regulations

#### Standards

|                       |             |
|-----------------------|-------------|
| Standards/regulations | IEC 62196-2 |
|-----------------------|-------------|

### Mounting

|   |  |
|---|--|
| Mounting type Charging connector holder | Front mounting (0° ... 45° frontal inclination possible) |
| Mounting hole diameter                  | 6.00 mm (ø)  |

# EV-T2AC-PARK - Charging connector holder

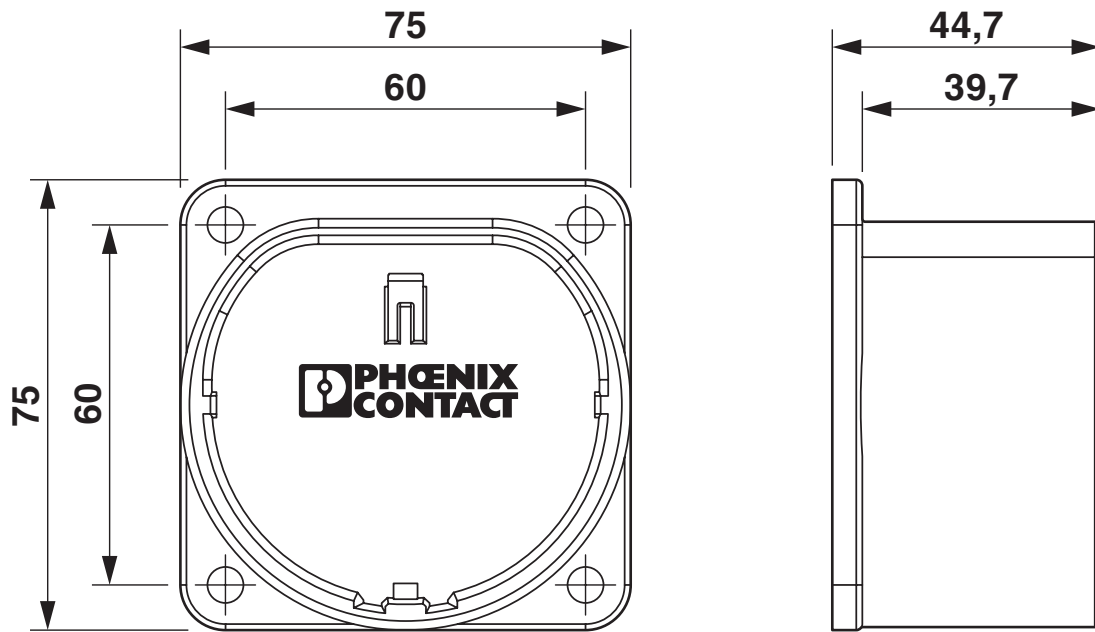
1624148

<https://www.phoenixcontact.com/us/products/1624148>



## Drawings

Dimensional drawing



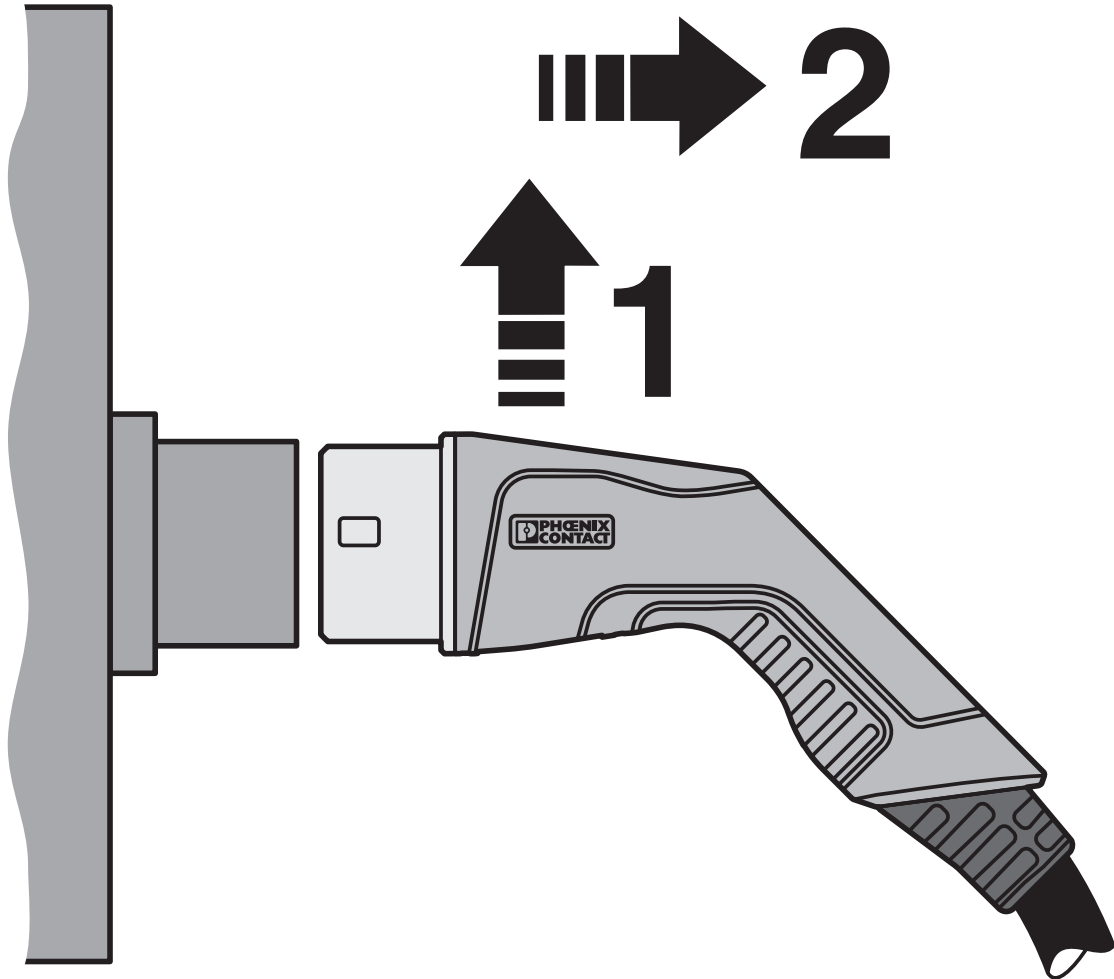
Dimensional drawing

# EV-T2AC-PARK - Charging connector holder

1624148

<https://www.phoenixcontact.com/us/products/1624148>

Schematic diagram



The attached AC Vehicle Connector is raised in the holder, releasing it from the integrated locking clip, and it can then be removed.

# EV-T2AC-PARK - Charging connector holder



1624148

<https://www.phoenixcontact.com/us/products/1624148>

## Classifications

### ECLASS

|             |          |
|-------------|----------|
| ECLASS-13.0 | 27144792 |
| ECLASS-15.0 | 27144792 |

### ETIM

|           |          |
|-----------|----------|
| ETIM 10.0 | EC002884 |
|-----------|----------|

### UNSPSC

|             |          |
|-------------|----------|
| UNSPSC 21.0 | 39121500 |
|-------------|----------|

# EV-T2AC-PARK - Charging connector holder



1624148

<https://www.phoenixcontact.com/us/products/1624148>

## Environmental product compliance

### EU RoHS

Fulfills EU RoHS substance requirements

Not applicable, No electrical and electronic equipment (EEE), cannot be used in EEE

### EU REACH SVHC

REACH candidate substance (CAS No.)

No substance above 0.1 wt%

Phoenix Contact 2026 © - all rights reserved

<https://www.phoenixcontact.com>

Phoenix Contact USA  
586 Fulling Mill Road  
Middletown, PA 17057, United States  
(+717) 944-1300  
[info@phoenixcon.com](mailto:info@phoenixcon.com)