

# EV-GBG3JK-3AC32A-5,0M6,0ESBK01 - AC charging cable



1624138

<https://www.phoenixcontact.com/us/products/1624138>

Please be informed that the data shown in this PDF document is generated from our online catalog. Please find the complete data in the user documentation. Our general terms of use for downloads are valid.



CHARX connect, GB/T, Mobile AC charging cable, with vehicle charging connector and infrastructure charging plug, cable: 5 m, black, straight, with protective cap, with locking option for padlock, housing: black, gray, PHOENIX CONTACT logo, GB/T 20234.2-2015, GB/T 18487.1-2015, for charging electric vehicles (EV) with alternating current (AC) via GB/T vehicle charging inlets

## Product description

Mobile AC charging cable with vehicle connector and infrastructure plug for charging electric vehicles (EV) with alternating current (AC), via a GB/T vehicle charging inlet, compatible with GB/T Infrastructure Socket Outlets at charging stations for E-Mobility (EVSE)

## Your advantages

- Complete product range
- Convenient handling due to the ergonomic, triple award-winning design
- Available with your logo on request - for consistent branding of your charging station
- Longitudinal water tightness reliably prevents water ingress
- Developed and produced in accordance with the IATF 16949 automotive standard and ISO 9001
- Tested in accordance with automotive standards LV124, LV214, and LV215-2
- Tested in accordance with EV Ready 37 requirements

## Commercial data

Item number	1624138
Packing unit	1 pc
Note	Made to order (non-returnable)
Sales key	EM01
Product key	XWBAEF
GTIN	4055626242897
Weight per piece (including packing)	3.937 kg
Weight per piece (excluding packing)	3.847 kg
Customs tariff number	85444290
Country of origin	DE

# EV-GBG3JK-3AC32A-5,0M6,0ESBK01 - AC charging cable



1624138

<https://www.phoenixcontact.com/us/products/1624138>

## Technical data

### Product properties

Product type	AC charging cable
Product family	CHARX connect
Type	Mobile AC charging cable with vehicle charging connector and infrastructure charging plug
Design	with protective cap with locking option for padlock
Charging standard	GB/T
Charging mode	Mode 3, Case B
Affixed logo	PHOENIX CONTACT logo

### Electrical properties

#### Charging power and current (AC charging, 3-phase)

Type of charging current	AC 3-phase
Charging current	32 A AC (3-phase)
Charging power	26.6 kW (3-phase)
Rated voltage	480 V

### Material specifications

Color (Housing)	black (9005)
Color (Handle area)	gray (7042)
Color (Mating face)	black (9005)
Color (Protective cap)	black (9005)
Color (Cable)	black (9005)

### Cable/line

Cable length	5 m
Wiring standards/regulations	prEN 50620/DIN EN 50620
Wiring certifications	VDE
Cable weight	max. 505.00 kg/km
Cable type	Class 5
Cable type	straight
Cable structure	5 x 6.0 mm <sup>2</sup> + 1 x 0.5 mm <sup>2</sup>
External cable diameter	17.00 mm ±0.4 mm
Outer sheath, material	TPE-U
Cable resistance	≤ 0.0033 Ω/m (based on a power core, at an ambient temperature of 20°C)
Bending radius	min. 127.5 mm (7.5x diameter)
Cable length	5 m
External cable diameter	17.00 mm ±0.4 mm
Cable type	Class 5

# EV-GBG3JK-3AC32A-5,0M6,0ESBK01 - AC charging cable



1624138

<https://www.phoenixcontact.com/us/products/1624138>

Wiring certifications	VDE
Wiring standards/regulations	prEN 50620/DIN EN 50620
Cable resistance	$\leq 0.0033 \Omega/\text{m}$ (based on a power core, at an ambient temperature of 20°C)

## Standards and regulations

### Standards

Standards/regulations	GB/T 20234.2-2015
	GB/T 18487.1-2015

# EV-GBG3JK-3AC32A-5,0M6,0ESBK01 - AC charging cable

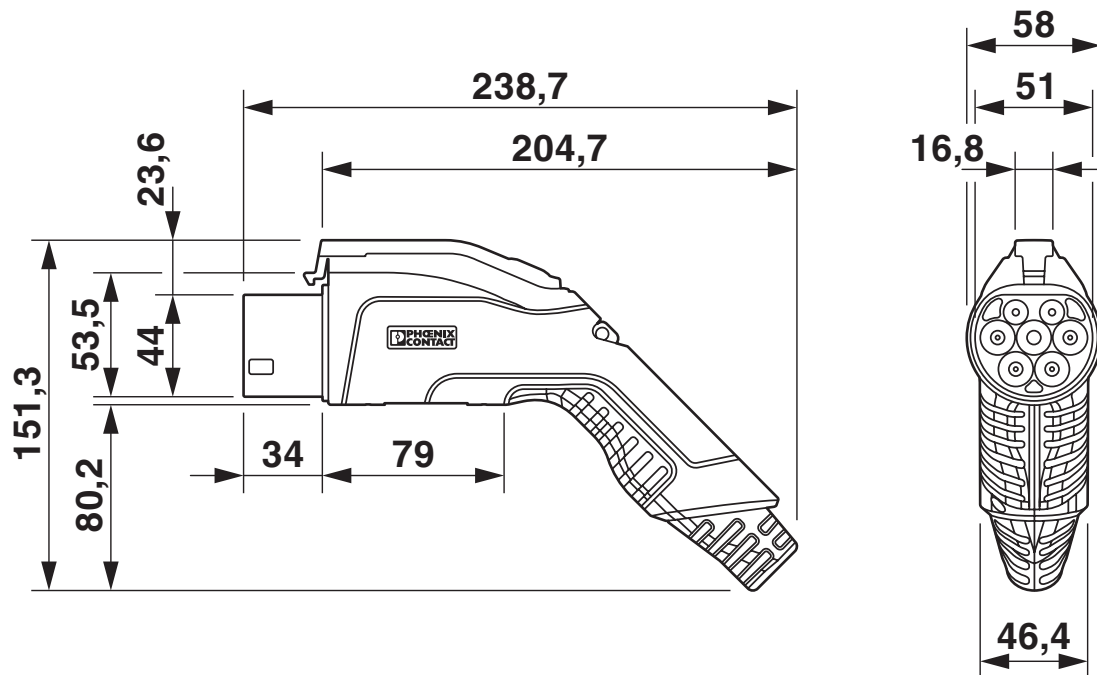


1624138

<https://www.phoenixcontact.com/us/products/1624138>

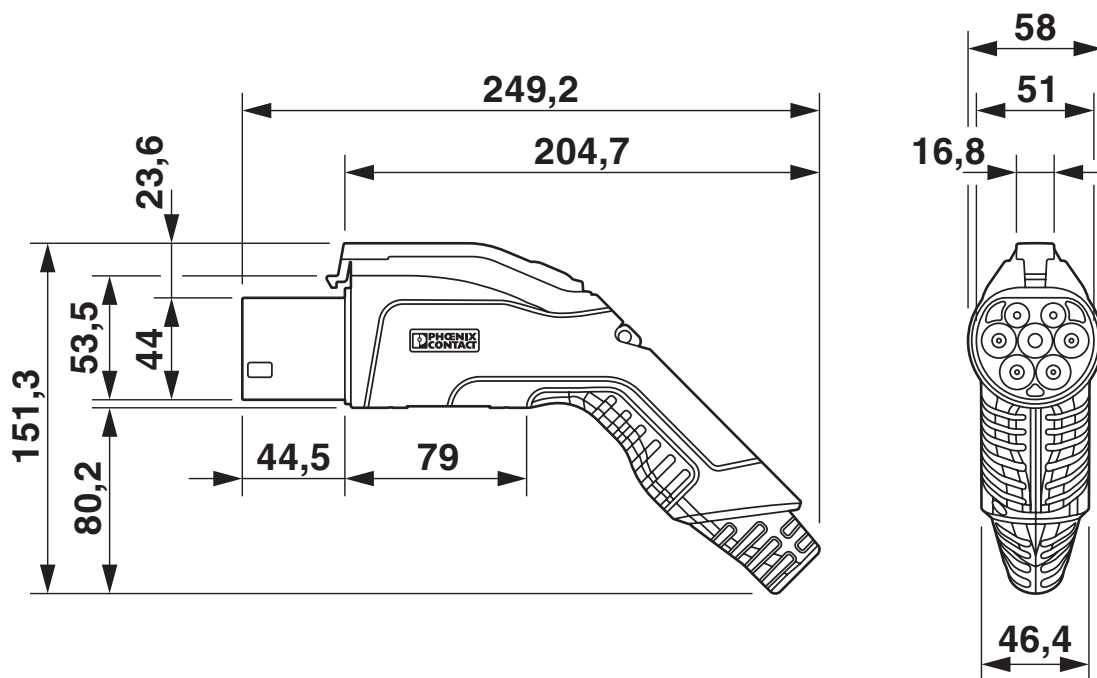
## Drawings

Dimensional drawing



Vehicle connector

Dimensional drawing



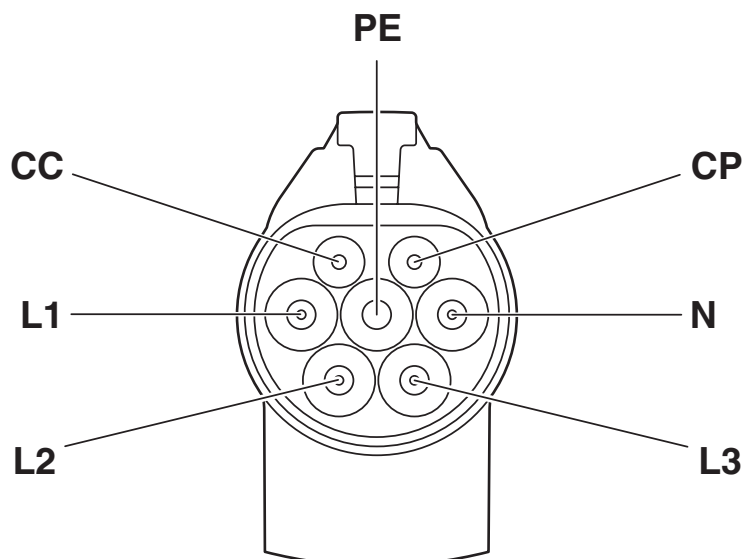
Infrastructure plug

# EV-GBG3JK-3AC32A-5,0M6,0ESBK01 - AC charging cable

1624138

<https://www.phoenixcontact.com/us/products/1624138>

Connection diagram



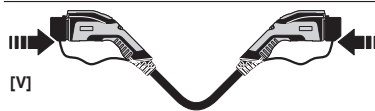
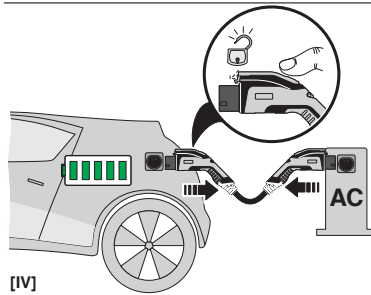
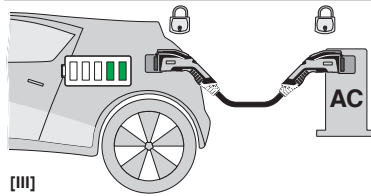
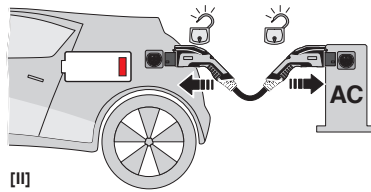
Pin assignment of Infrastructure Plug

# EV-GBG3JK-3AC32A-5,0M6,0ESBK01 - AC charging cable

1624138

<https://www.phoenixcontact.com/us/products/1624138>

## Schematic diagram



Operating instructions

# EV-GBG3JK-3AC32A-5,0M6,0ESBK01 - AC charging cable

1624138

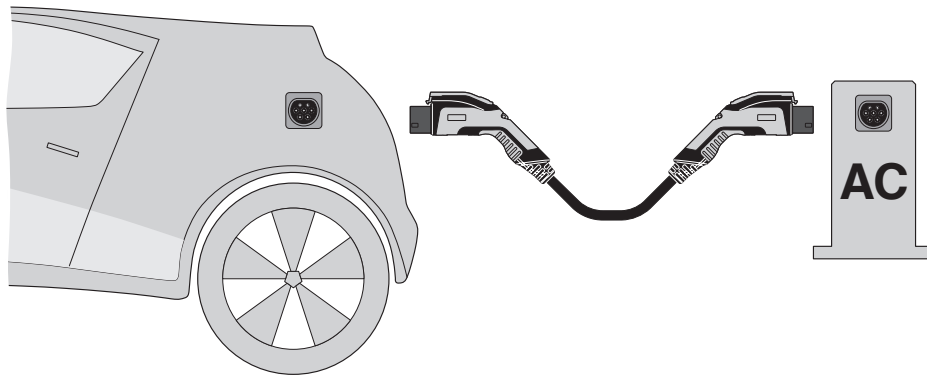
<https://www.phoenixcontact.com/us/products/1624138>

Schematic diagram



Pin assignment of the Vehicle Connector

Schematic diagram



Terminology definition

# EV-GBG3JK-3AC32A-5,0M6,0ESBK01 - AC charging cable



1624138

<https://www.phoenixcontact.com/us/products/1624138>

## Classifications

### UNSPSC

UNSPSC 21.0	39121500
-------------	----------

# EV-GBG3JK-3AC32A-5,0M6,0ESBK01 - AC charging cable



1624138

<https://www.phoenixcontact.com/us/products/1624138>

## Environmental product compliance

### China RoHS

Environment friendly use period (EFUP)	EFUP-10
	An article-related China RoHS declaration table can be found in the download area for the respective article under "Manufacturer declaration". For all articles with EFUP-E, no China RoHS declaration table issued and required.

### EU REACH SVHC

REACH candidate substance (CAS No.)	No substance above 0.1 wt%
-------------------------------------	----------------------------

Phoenix Contact 2026 © - all rights reserved  
<https://www.phoenixcontact.com>

Phoenix Contact USA  
586 Fulling Mill Road  
Middletown, PA 17057, United States  
(+717) 944-1300  
[info@phoenixcon.com](mailto:info@phoenixcon.com)