

# CA-17S1N126L00 - Device connector front mounting



1624056

<https://www.phoenixcontact.com/us/products/1624056>

Please be informed that the data shown in this PDF document is generated from our online catalog. Please find the complete data in the user documentation. Our general terms of use for downloads are valid.



The figure shows the 12-pos.  
product version

M23, Device connector front mounting, application: Signal, series: CA, straight, shielded: yes, for standard and SPEEDCON interlock, No. of pos.: 17, Direction of rotation: Standard, contact connection type: Socket, Solder connection, Axial seal, coding: N. This product is in the process of being discontinued. This product must no longer be considered for new projects. Please contact your sales representative for alternatives.

## Your advantages

- Safe use in the field, thanks to high degree of protection
- Connector for flexible on-site assembly
- Consistent EMC protection for reliable transmission of signals
- Solder connection: proven connection technology for various litz wires

## Commercial data

Item number	1624056
Packing unit	1 pc
Minimum order quantity	1 pc
Note	Made to order (non-returnable)
Sales key	AB31
Product key	ABRAEL
GTIN	4055626227771
Weight per piece (including packing)	36.12 g
Weight per piece (excluding packing)	33.389 g
Customs tariff number	85366990
Country of origin	DE

1624056

<https://www.phoenixcontact.com/us/products/1624056>

## Technical data

### Product properties

Product type	Circular connectors (device side)
--------------	-----------------------------------

### Material specifications

Flammability rating according to UL 94	V0
--	----

### Connector

#### Insulating body

Coding	N
Material (Insulating body)	PBT
Material (Contact)	CuZn
Material (Contact surface)	Ni/Au
Insertion/withdrawal cycles	100
Connection method	Solder connection
Contact switching type	Socket
Application	Signal
Number of positions	17
Direction of rotation	Standard
Connection profile	17
Number (Power contacts)	0
Rated voltage Contact (Power contacts)	48 V AC 74 V DC
Rated surge voltage	1.5 kV
Overvoltage category	III
Degree of pollution	3
Number (Signal contacts)	17
Contact diameter (Signal contacts)	1 mm
Litz wires Max. cross section (Signal contacts)	1 mm <sup>2</sup>
Rated current Contact (Signal contacts)	8 A

#### Housing

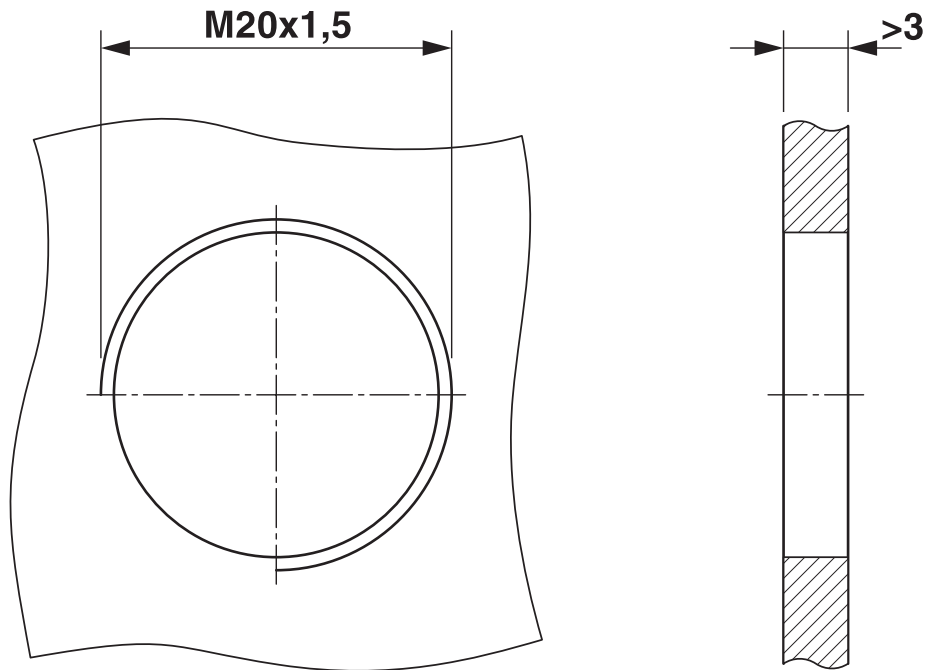
Thread type	M23
Design	straight
Type of locking	for standard and SPEEDCON interlock
Pg screw connection	none
Mounting type	Front mounting (M20 x 1,5)
Assembly note	Central fastening
Housing material	Turned parts: copper zinc alloy (CuZn), die-cast parts: zinc (GD-Zn)
Degree of protection (plugged in)	IP67
Seal for the device	Axial seal

1624056

<https://www.phoenixcontact.com/us/products/1624056>

## Drawings

Dimensional drawing



Installation dimensions

# CA-17S1N126L00 - Device connector front mounting



1624056

<https://www.phoenixcontact.com/us/products/1624056>

Schematic diagram



Connector pin assignment

# CA-17S1N126L00 - Device connector front mounting



1624056

<https://www.phoenixcontact.com/us/products/1624056>

## Approvals

To download certificates, visit the product detail page: <https://www.phoenixcontact.com/us/products/1624056>

 <b>cUL Recognized</b> Approval ID: E335019-20141210				
	Nominal voltage $U_N$	Nominal current $I_N$	Cross section AWG	Cross section $\text{mm}^2$
keine				
	48 V	5 A	18	-

 <b>UL Recognized</b> Approval ID: E335019-20141210				
	Nominal voltage $U_N$	Nominal current $I_N$	Cross section AWG	Cross section $\text{mm}^2$
keine				
	48 V	8 A	18	-

# CA-17S1N126L00 - Device connector front mounting



1624056

<https://www.phoenixcontact.com/us/products/1624056>

## Classifications

### ECLASS

ECLASS-13.0	27440109
ECLASS-15.0	27440109

### ETIM

ETIM 10.0	EC003569
-----------	----------

### UNSPSC

UNSPSC 21.0	39121400
-------------	----------

1624056

<https://www.phoenixcontact.com/us/products/1624056>

## Environmental product compliance

### EU RoHS

Fulfills EU RoHS substance requirements	Yes
Exemption	6(c)

### China RoHS

Environment friendly use period (EFUP)	EFUP-50
	An article-related China RoHS declaration table can be found in the download area for the respective article under "Manufacturer declaration". For all articles with EFUP-E, no China RoHS declaration table issued and required.

### EU REACH SVHC

REACH candidate substance (CAS No.)	Lead(CAS: 7439-92-1)
SCIP	90a71f08-3b1b-4cff-b42b-d7f11d45cd64

Phoenix Contact 2026 © - all rights reserved

<https://www.phoenixcontact.com>

Phoenix Contact USA  
586 Fulling Mill Road  
Middletown, PA 17057, United States  
(+717) 944-1300  
[info@phoenixcon.com](mailto:info@phoenixcon.com)