

CA-1RS1N8A6Z00 - Device connector front mounting



1624019

<https://www.phoenixcontact.com/us/products/1624019>

Please be informed that the data shown in this PDF document is generated from our online catalog. Please find the complete data in the user documentation. Our general terms of use for downloads are valid.



The figure shows the product with assembled crimp contacts. Please order crimp contacts separately.

M23, Device connector front mounting, application: Signal, series: CA, straight, shielded: yes, for standard and SPEEDCON interlock, No. of pos.: 16+2+FE, Direction of rotation: Standard, contact connection type: Socket, Crimp connection, Axial seal, coding: N. This product is in the process of being discontinued. This product must no longer be considered for new projects. Please contact your sales representative for alternatives.

Your advantages

- Safe use in the field, thanks to high degree of protection
- Connector for flexible on-site assembly
- Consistent EMC protection for reliable transmission of signals
- Crimping connection: vibration- and temperature-resistant assembly

Commercial data

Item number	1624019
Packing unit	1 pc
Minimum order quantity	1 pc
Note	Made to order (non-returnable)
Sales key	AB31
Product key	ABRAEL
GTIN	4055626228334
Weight per piece (including packing)	23.6 g
Weight per piece (excluding packing)	20.436 g
Customs tariff number	85366990
Country of origin	DE

1624019

<https://www.phoenixcontact.com/us/products/1624019>

Technical data

Notes

Order information:	Order crimp contacts 16 x Ø 1 mm, 3 x Ø 1.5 mm separately
--------------------	---

Product properties

Product type	Circular connectors (device side)
--------------	-----------------------------------

Material specifications

Flammability rating according to UL 94	V0
--	----

Connector

Insulating body

Note	Order information: Order crimp contacts 16 x Ø 1 mm, 3 x Ø 1.5 mm separately
Coding	N
Material (Insulating body)	PA 6.6
Flammability rating according to UL 94	V0
Insertion/withdrawal cycles	100
Connection method	Crimp connection
Contact switching type	Socket
Application	Signal
Number of positions	19
Direction of rotation	Standard
Connection profile	16+2+FE
Installation height	2000 m
Number (Contact group 1)	3
Contact diameter (Contact group 1)	1.5 mm
Litz wires Min. cross section (Contact group 1)	0.08 mm ²
Litz wires Max. cross section (Contact group 1)	1 mm ²
Rated current Contact (Contact group 1)	10 A (for max. connection cross section)
Rated voltage Contact (Contact group 1)	48 V AC 74 V DC
Rated surge voltage	1.5 kV
Overvoltage category	II
Degree of pollution	3
Number (Contact group 2)	16
Contact diameter (Contact group 2)	1 mm
Litz wires Max. cross section (Contact group 2)	1 mm ²
Rated current Contact (Contact group 2)	8 A (for max. connection cross section)
Rated voltage Contact (Contact group 2)	48 V AC 48 V AC
Rated surge voltage	1.5 kV

CA-1RS1N8A6Z00 - Device connector front mounting



1624019

<https://www.phoenixcontact.com/us/products/1624019>

Overvoltage category	III
Degree of pollution	3

Housing

Order information:	If necessary, order locking nut separately
Thread type	M23
Design	straight
Type of locking	for standard and SPEEDCON interlock
Pg screw connection	none
Mounting type	Front mounting (Pg13,5)
Assembly note	Central fastening
Housing material	CuZn
Degree of protection (plugged in)	IP67
Seal for the device	Axial seal

Environmental and real-life conditions

Ambient conditions

Ambient temperature (operation)	-40 °C ... 125 °C
---------------------------------	-------------------

CA-1RS1N8A6Z00 - Device connector front mounting

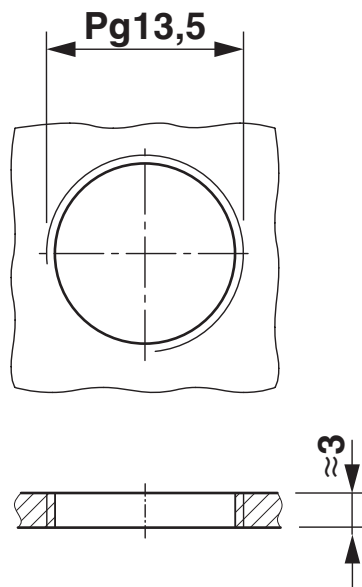


1624019

<https://www.phoenixcontact.com/us/products/1624019>

Drawings

Dimensional drawing



Installation dimensions

Schematic diagram



Connector pin assignment

CA-1RS1N8A6Z00 - Device connector front mounting



1624019

<https://www.phoenixcontact.com/us/products/1624019>

Approvals

To download certificates, visit the product detail page: <https://www.phoenixcontact.com/us/products/1624019>

 cUL Recognized Approval ID: E335019-20141210				
	Nominal voltage U_N	Nominal current I_N	Cross section AWG	Cross section mm^2
keine				
Power	48 V	6 A	18	-
Signal	48 V	5 A	18	-

 UL Recognized Approval ID: E335019-20141210				
	Nominal voltage U_N	Nominal current I_N	Cross section AWG	Cross section mm^2
keine				
Power	48 V	10 A	18	-
Signal	48 V	8 A	18	-

CA-1RS1N8A6Z00 - Device connector front mounting



1624019

<https://www.phoenixcontact.com/us/products/1624019>

Classifications

ECLASS

ECLASS-13.0	27440109
ECLASS-15.0	27440109

ETIM

ETIM 10.0	EC003569
-----------	----------

UNSPSC

UNSPSC 21.0	39121400
-------------	----------

CA-1RS1N8A6Z00 - Device connector front mounting



1624019

<https://www.phoenixcontact.com/us/products/1624019>

Environmental product compliance

EU RoHS

Fulfills EU RoHS substance requirements	Yes, No exemptions
---	--------------------

China RoHS

Environment friendly use period (EFUP)	EFUP-E
	No hazardous substances above the limits

EU REACH SVHC

REACH candidate substance (CAS No.)	No substance above 0.1 wt%
-------------------------------------	----------------------------

Phoenix Contact 2026 © - all rights reserved
<https://www.phoenixcontact.com>

Phoenix Contact USA
586 Fulling Mill Road
Middletown, PA 17057, United States
(+717) 944-1300
info@phoenixcon.com