

# EV-GBG3JK-3AC16A-5,0M2,5ESBK01 - AC charging cable



1623517

<https://www.phoenixcontact.com/us/products/1623517>

Please be informed that the data shown in this PDF document is generated from our online catalog. Please find the complete data in the user documentation. Our general terms of use for downloads are valid.



CHARX connect, GB/T, Mobile AC charging cable, 16 A permanent, 440 V AC, with vehicle charging connector and infrastructure charging plug, cable: 5 m, black, straight, with protective cap, with locking option for padlock, housing: black, gray, PHOENIX CONTACT logo, GB/T 20234.2-2015, GB/T 18487.1-2015, for charging electric vehicles (EV) with alternating current (AC) via GB/T vehicle charging inlets

## Product description

Mobile AC charging cable with vehicle connector and infrastructure plug for charging electric vehicles (EV) with alternating current (AC), via a GB/T vehicle charging inlet, compatible with GB/T Infrastructure Socket Outlets at charging stations for E-Mobility (EVSE)

## Your advantages

- Complete product range
- Convenient handling due to the ergonomic, triple award-winning design
- Available with your logo on request - for consistent branding of your charging station
- Longitudinal water tightness reliably prevents water ingress
- Developed and produced in accordance with the IATF 16949 automotive standard and ISO 9001
- Tested in accordance with automotive standards LV124, LV214, and LV215-2
- Tested in accordance with EV Ready 37 requirements

## Commercial data

|                                      |                                |
|--------------------------------------|--------------------------------|
| Item number                          | 1623517                        |
| Packing unit                         | 1 pc                           |
| Minimum order quantity               | 1 pc                           |
| Note                                 | Made to order (non-returnable) |
| Sales key                            | EM01                           |
| Product key                          | XWBAEF                         |
| GTIN                                 | 4055626177960                  |
| Weight per piece (including packing) | 2,518 g                        |
| Weight per piece (excluding packing) | 2,360 g                        |
| Customs tariff number                | 85444290                       |
| Country of origin                    | DE                             |



# EV-GBG3JK-3AC16A-5,0M2,5ESBK01 - AC charging cable



1623517

<https://www.phoenixcontact.com/us/products/1623517>

|        |          |
|--------|----------|
| Height | 85.4 mm  |
| Depth  | 207.6 mm |

## Material specifications

|                                       |              |
|---------------------------------------|--------------|
| Color (Housing)                       | black (9005) |
| Color (Handle area)                   | gray (7042)  |
| Color (Mating face)                   | black (9005) |
| Color (Protective cap)                | black (9005) |
| Color (Cable)                         | black (9005) |
| Material (Vehicle charging connector) | Plastic      |
| Material (Cable outer sheath)         | TPE-U        |
| Material (Contact surface)            | Silver       |

## Cable/line

|                              |  |
|------------------------------|--|
| Cable length                 | 5 m  |
| Wiring standards/regulations | prEN 50620/DIN EN 50620  |
| Wiring certifications        | VDE  |
| Cable weight                 | max. 250.00 kg/km  |
| Cable type                   | Class 5  |
| Cable type                   | straight   |
| Cable structure              | 5 x 2.5 mm <sup>2</sup> + 1 x 0.5 mm <sup>2</sup>                        |
| External cable diameter      | 12.80 mm ±0.4 mm   |
| Outer sheath, material       | TPE-U  |
| Cable resistance             | ≤ 0.00798 Ω/m (based on a power core, at an ambient temperature of 20°C) |
| Bending radius               | min. 192 mm (15x diameter)   |
| Cable length                 | 5 m  |
| External cable diameter      | 12.80 mm ±0.4 mm   |
| Cable type                   | Class 5  |
| Wiring certifications        | VDE  |
| Wiring standards/regulations | prEN 50620/DIN EN 50620  |
| Cable resistance             | ≤ 0.00798 Ω/m (based on a power core, at an ambient temperature of 20°C) |

## Mechanical properties

### Mechanical data

|                             |         |
|-----------------------------|---------|
| Insertion/withdrawal cycles | > 10000 |
| Insertion force             | < 100 N |

## Environmental and real-life conditions

### Ambient conditions

|   |  |
|---|--|
| Degree of protection (Vehicle charging connector) | IP55 (plugged in; when plugged in and ready to operate, the degree of protection is only ensued if both plug-in components are original products from Phoenix Contact or suitable standard-compliant products) |
|---|--|

# EV-GBG3JK-3AC16A-5,0M2,5ESBK01 - AC charging cable



1623517

<https://www.phoenixcontact.com/us/products/1623517>

|   |                          |
|---|--------------------------|
| Degree of protection (Protective cap)   | IP54                     |
| Ambient temperature (operation)         | -30 °C ... 50 °C         |
| Ambient temperature (storage/transport) | -40 °C ... 80 °C         |
| Altitude                                | 5000 m (above sea level) |

## Standards and regulations

### Standards

|                       |                   |
|-----------------------|-------------------|
| Standards/regulations | GB/T 20234.2-2015 |
|                       | GB/T 18487.1-2015 |

# EV-GBG3JK-3AC16A-5,0M2,5ESBK01 - AC charging cable

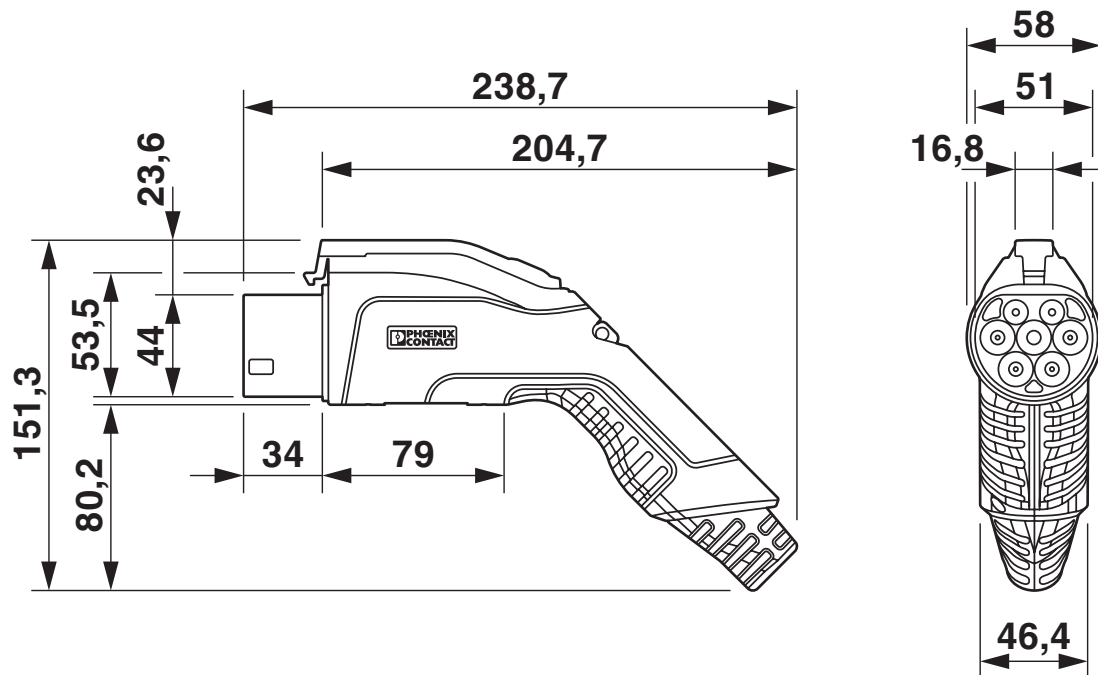


1623517

<https://www.phoenixcontact.com/us/products/1623517>

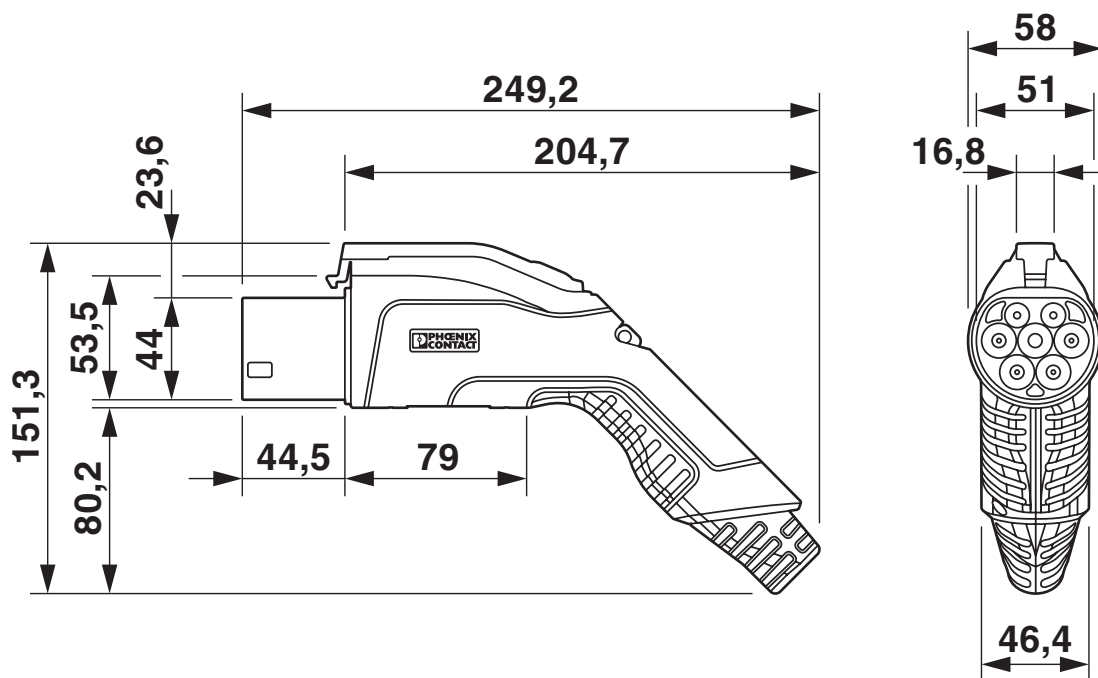
## Drawings

Dimensional drawing



Vehicle connector

Dimensional drawing



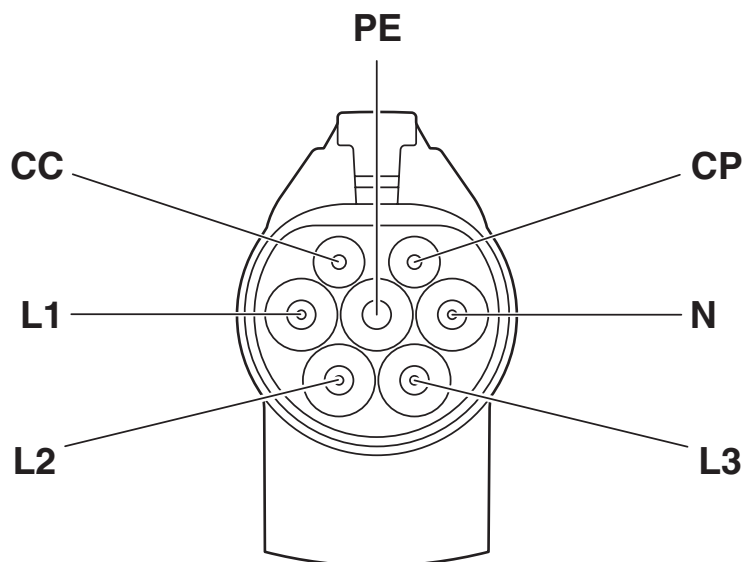
Infrastructure plug

# EV-GBG3JK-3AC16A-5,0M2,5ESBK01 - AC charging cable

1623517

<https://www.phoenixcontact.com/us/products/1623517>

Connection diagram



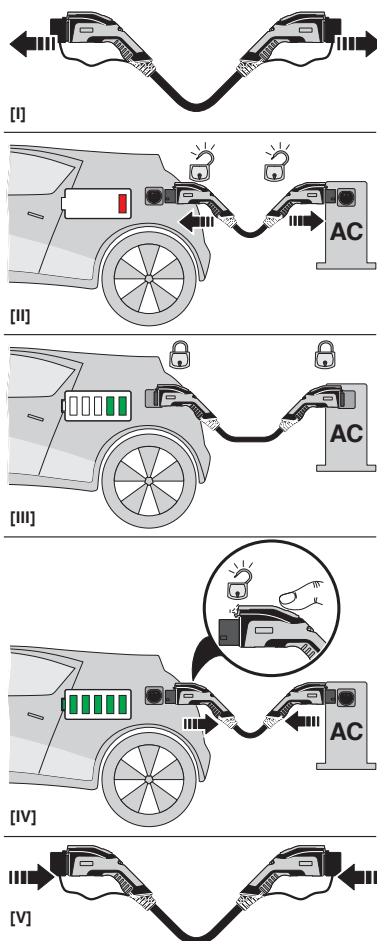
Pin assignment of Infrastructure Plug

# EV-GBG3JK-3AC16A-5,0M2,5ESBK01 - AC charging cable

1623517

<https://www.phoenixcontact.com/us/products/1623517>

## Schematic diagram



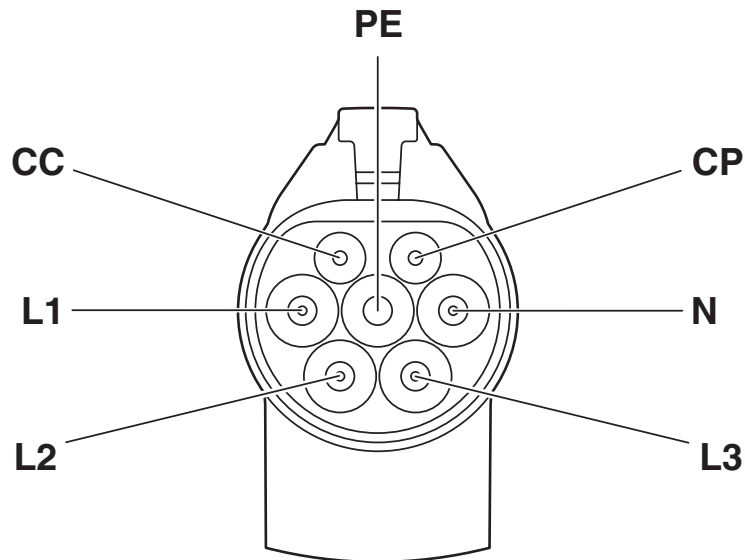
Operating instructions

# EV-GBG3JK-3AC16A-5,0M2,5ESBK01 - AC charging cable

1623517

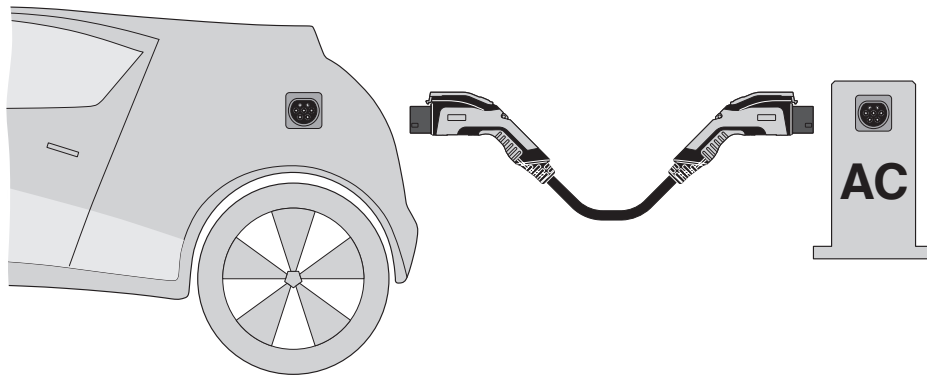
<https://www.phoenixcontact.com/us/products/1623517>

Schematic diagram



Pin assignment of the Vehicle Connector

Schematic diagram



Terminology definition

# EV-GBG3JK-3AC16A-5,0M2,5ESBK01 - AC charging cable



1623517

<https://www.phoenixcontact.com/us/products/1623517>

## Classifications

### UNSPSC

|             |          |
|-------------|----------|
| UNSPSC 21.0 | 39121500 |
|-------------|----------|

# EV-GBG3JK-3AC16A-5,0M2,5ESBK01 - AC charging cable



1623517

<https://www.phoenixcontact.com/us/products/1623517>

## Environmental product compliance

### China RoHS

|  |  |
|--|--|
| Environment friendly use period (EFUP) | EFUP-10<br>An article-related China RoHS declaration table can be found in the download area for the respective article under "Manufacturer declaration". For all articles with EFUP-E, no China RoHS declaration table issued and required. |
|--|--|

### EU REACH SVHC

|                                     |                            |
|-------------------------------------|----------------------------|
| REACH candidate substance (CAS No.) | No substance above 0.1 wt% |
|-------------------------------------|----------------------------|

Phoenix Contact 2026 © - all rights reserved  
<https://www.phoenixcontact.com>

Phoenix Contact USA  
586 Fulling Mill Road  
Middletown, PA 17057, United States  
(+717) 944-1300  
[info@phoenixcon.com](mailto:info@phoenixcon.com)