

# PRC 5-TC-FS6 8-21 - Test plug



1621325

<https://www.phoenixcontact.com/us/products/1621325>

Please be informed that the data shown in this PDF document is generated from our online catalog. Please find the complete data in the user documentation. Our general terms of use for downloads are valid.



PRC test plug, 2000 plug cycles, can be released by hand, black, 5-pos., 1.5 mm<sup>2</sup> ... 6 mm<sup>2</sup> / 690 V / 35 A, with screw connection for cables with an outside diameter of 8 mm ... 21 mm.

## Your advantages

- Up to 75% smaller in size than industrial connectors with the same rating
- Locking mechanism can be unlocked manually or using a tool
- Suitable for applications in atmospheres containing salt and in direct sunlight
- Ideal for indoor and outdoor use due to weatherproof materials

## Commercial data

Item number	1621325
Packing unit	1 pc
Minimum order quantity	1 pc
Sales key	AB03
Product key	ABL CZA
GTIN	4046356914727
Weight per piece (including packing)	104 g
Weight per piece (excluding packing)	90.496 g
Customs tariff number	85366990
Country of origin	PL

## Technical data

### Notes

Order information:	Manually releasable version with orange release latch
--------------------	---

### Safety note

Safety note	<ul style="list-style-type: none"> <li>• <b>WARNING:</b> Commission properly functioning products only. The products must be regularly inspected for damage. Decommission defective products immediately. Replace damaged products. Repairs are not possible.</li> </ul>
	<ul style="list-style-type: none"> <li>• <b>WARNING:</b> Only electrically qualified personnel may install and operate the product. They must observe the following safety notes. The qualified personnel must be familiar with the basics of electrical engineering. They must be able to recognize and prevent danger. The relevant symbol on the packaging indicates that only personnel familiar with electrical engineering are allowed to install and operate the product.</li> </ul>
	<p><b>WARNING:</b> The connectors may not be plugged in or disconnected under load. Ignoring the warning or improper use may damage persons and/or property.</p>
	<ul style="list-style-type: none"> <li>• Assembled products may not be manipulated or improperly opened.</li> </ul>
	<ul style="list-style-type: none"> <li>• Only use mating connectors that are specified in the technical data of the standards listed (e.g. the ones listed in the product accessories online at <a href="https://www.phoenixcontact.com/products">phoenixcontact.com/products</a>).</li> </ul>
	<ul style="list-style-type: none"> <li>• When using the product in direct connection with third-party manufacturers, the user is responsible.</li> </ul>
	<ul style="list-style-type: none"> <li>• For operating voltages &gt; 50 V AC, conductive connector housings must be grounded</li> </ul>
	<ul style="list-style-type: none"> <li>• Ensure that the protective or functional ground has been properly connected.</li> </ul>
	<ul style="list-style-type: none"> <li>• VDE 0100/1.97 § 411.1.3.2 and DIN EN 60 204/11.98 § 14.1.3 are applicable when combining several circuits in a cable and/or connector</li> </ul>
	<ul style="list-style-type: none"> <li>• Observe the corresponding technical data. You will find information:                             <ul style="list-style-type: none"> <li>o On the product</li> <li>o On the packing label</li> <li>o In the supplied documentation</li> <li>o Online at <a href="https://www.phoenixcontact.com/products">phoenixcontact.com/products</a> under the product</li> </ul> </li> </ul>
	<ul style="list-style-type: none"> <li>• Only use tools recommended by Phoenix Contact</li> </ul>
	<ul style="list-style-type: none"> <li>• The installation notes/Design In documents online on the download page at <a href="https://www.phoenixcontact.com/products">phoenixcontact.com/products</a> must be observed for this product.</li> </ul>
	<ul style="list-style-type: none"> <li>• Use a protective cap to protect connectors that are not in use. The suitable accessories are available online in the accessory section of the product at <a href="https://www.phoenixcontact.com/products">phoenixcontact.com/products</a></li> </ul>
	<ul style="list-style-type: none"> <li>• Operate the connector only when it is fully plugged in.</li> </ul>
<ul style="list-style-type: none"> <li>• Operate the connector only when it is fully plugged in and interlocked.</li> </ul>	
<ul style="list-style-type: none"> <li>• Ensure that when laying the cable, the tensile load on the connectors does not exceed the upper limit specified in the standards.</li> </ul>	

# PRC 5-TC-FS6 8-21 - Test plug

1621325

<https://www.phoenixcontact.com/us/products/1621325>

- Observe the minimum bending radius of the cable. Lay the cable without twisting it.
- The connector warms up in normal operation. Depending on the ambient conditions, the surface of the connector can continue to warm up. In this case, the user is responsible for posting warnings (e.g. DIN EN ISO 13732-1:2008-12).

## Product properties

Product type	Installation connector
Product family	PRC 35
Number of positions	5
Connection profile	4+PE
Coding	AD

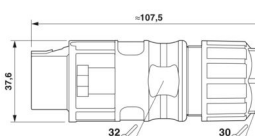
## Insulation characteristics

Protection class	II
Degree of pollution	2

## Electrical properties

Rated voltage (III/2)	690 V
Rated voltage	690 V AC (III/2.00) in accordance with IEC 61984 500 V AC / DC (III/2.00) in accordance with IEC 61535 600 V AC / DC (III/2.00) in accordance with UL 2238 / UL 2237
Rated surge voltage (III/2)	8 kV
Rated current	35 A (with 6 mm <sup>2</sup> conductor cross-section)

## Dimensions

Dimensional drawing	
Width	37.6 mm
Height	37.6 mm
Length	105 mm

## External dimensions

Outside diameter	8 mm ... 21 mm
------------------	----------------

## Material specifications

Color (Housing)	black (RAL 9005)
Color of the housing part	black
Material Seal	EPDM
Material Contact carrier	PPE
Material Housing	PPE
Material Contact	Cu alloy

# PRC 5-TC-FS6 8-21 - Test plug



1621325

<https://www.phoenixcontact.com/us/products/1621325>

Flammability rating according to UL 94	V0
Material of grip body	PPE
Cable seal material	EPDM
Contact surface material	silver-plated
O-ring material	EPDM
Material for screw connection	PPE

## Connector

Pull-out-force	175 N ±50 N
----------------	-------------

## Cable/line

External cable diameter	8 mm ... 21 mm
-------------------------	----------------

## Mechanical properties

### Mechanical data

Insertion/withdrawal cycles	2000 (Number of device plug mating cycles: 100)
Insertion force	40 N ±10 N

## Environmental and real-life conditions

### Ambient conditions

Degree of protection (when plugged in)	IP66/IP68 (2 m / 24 h) IP69K
Degree of protection	IP66/IP68 (2 m / 24 h) IP69K IP66/IP68 (2 m / 24 h) IP69K
Category of shock impact	IK08 (-25°C)
Ambient temperature (operation)	-40 °C ... 105 °C (dependent on the derating curve)
Ambient temperature (storage/transport)	-40 °C ... 70 °C
Ambient temperature (assembly)	5 °C ... 85 °C

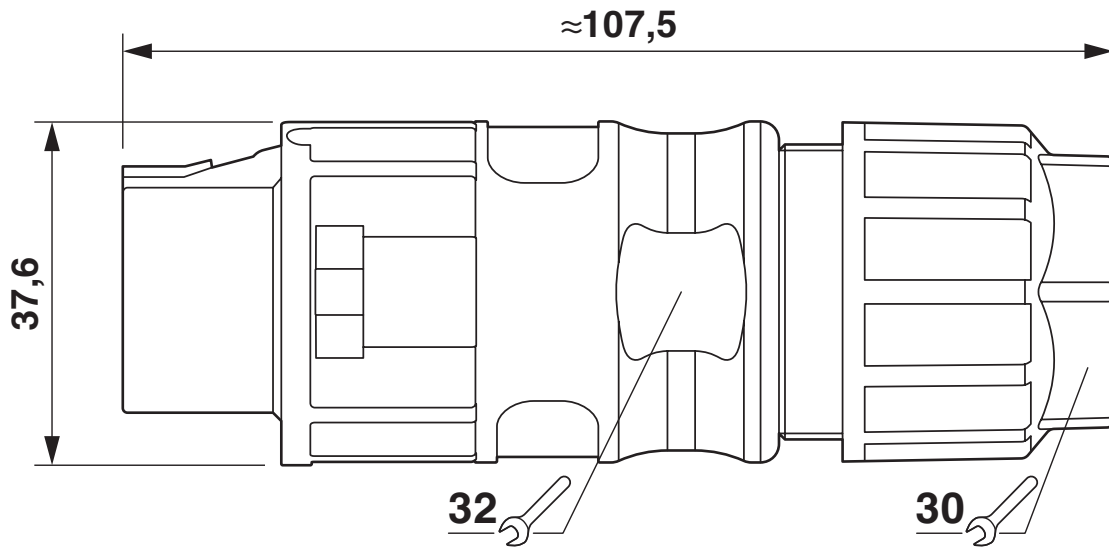
# PRC 5-TC-FS6 8-21 - Test plug

1621325

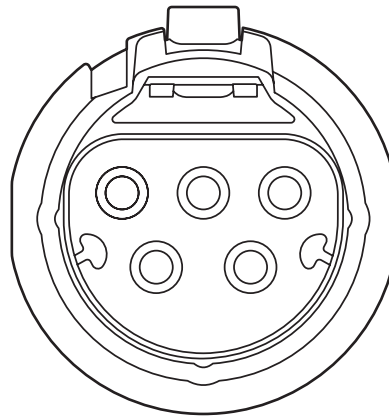
<https://www.phoenixcontact.com/us/products/1621325>

## Drawings

Dimensional drawing



Schematic diagram



## Connector pin assignment

# PRC 5-TC-FS6 8-21 - Test plug



1621325

<https://www.phoenixcontact.com/us/products/1621325>

## Classifications

### ECLASS

ECLASS-13.0	27440691
ECLASS-15.0	27440691

### ETIM

ETIM 10.0	EC002863
-----------	----------

### UNSPSC

UNSPSC 21.0	39121400
-------------	----------

# PRC 5-TC-FS6 8-21 - Test plug



1621325

<https://www.phoenixcontact.com/us/products/1621325>

## Environmental product compliance

### EU RoHS

Fulfills EU RoHS substance requirements	Yes, No exemptions
---	--------------------

### China RoHS

Environment friendly use period (EFUP)	EFUP-E
	No hazardous substances above the limits

### EU REACH SVHC

REACH candidate substance (CAS No.)	Triphenyl phosphate(CAS: 115-86-6)
SCIP	f1e46c7b-e4a0-40ac-b535-8c482a2624f6

Phoenix Contact 2026 © - all rights reserved

<https://www.phoenixcontact.com>

Phoenix Contact USA  
586 Fulling Mill Road  
Middletown, PA 17057, United States  
(+717) 944-1300  
[info@phoenixcon.com](mailto:info@phoenixcon.com)