

# RF-17S1N8AWV00 - Device connector front mounting



1613740

<https://www.phoenixcontact.com/us/products/1613740>

Please be informed that the data shown in this PDF document is generated from our online catalog. Please find the complete data in the user documentation. Our general terms of use for downloads are valid.



The figure shows the 12-pos.  
product version

Device connector front mounting, application: Signal, straight, Screw locking mechanism, M23, number of positions: 17, contact connection type: Socket, Axial O-ring, shielded: yes, number of positions: 17, connection method: Crimp connection, series: RF, This product is in the process of being discontinued. This product must no longer be considered for new projects. Please contact your sales representative for alternatives.

## Commercial data

Item number	1613740
Packing unit	20 pc
Minimum order quantity	20 pc
Note	Made to order (non-returnable)
Sales key	AB31
Product key	ABRAGL
GTIN	4046356443913
Weight per piece (including packing)	41.995 g
Weight per piece (excluding packing)	38.238 g
Customs tariff number	85366990
Country of origin	DE

1613740

<https://www.phoenixcontact.com/us/products/1613740>

## Technical data

### Notes

Order information:	Order crimp contacts Ø 1 mm separately
--------------------	--

### Mounting

Mounting type	Front mounting/square flange (4x Ø 3.2 mm)
---------------	--

### Product properties

Product type	Circular connectors (device side)
Series	RF
Application	Signal
Number of positions	17
Connection profile	17
Shielded	yes
Coding	N
Thread type	M23

### Material specifications

Material Housing	Stainless steel 1.4305
Seal material	FPM

### Electrical properties

#### Contact

Contact diameter	1 mm
Nominal current $I_N$	8 A
Nominal voltage $U_N$	48 V AC
	74 V DC
Overvoltage category	III
Degree of pollution	3
Rated surge voltage	1.5 kV

### Connection data

#### Conductor connection

Connection method	Crimp connection
Contact connection type	Socket

### Connector

Type	straight
Direction of rotation	Standard

### Environmental and real-life conditions

#### Ambient conditions

# RF-17S1N8AWV00 - Device connector front mounting



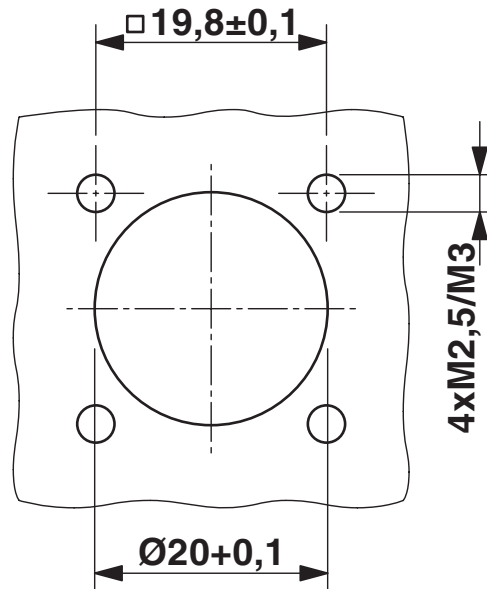
1613740

<https://www.phoenixcontact.com/us/products/1613740>

Degree of protection	IP67
Ambient temperature (operation)	-20 °C ... 125 °C
Altitude	2000 m

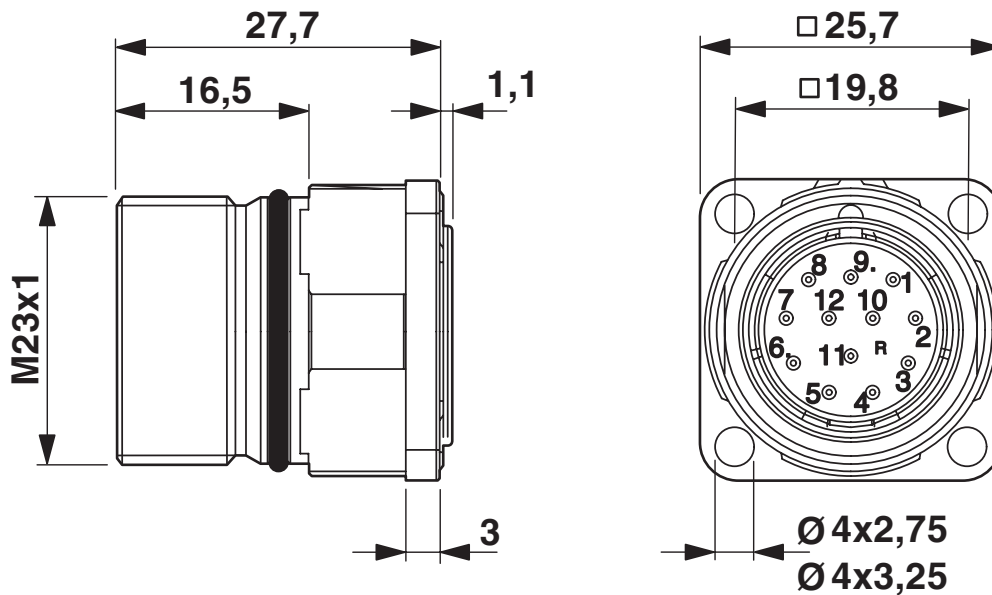
Drawings

Dimensional drawing



Installation dimensions

Dimensional drawing



Dimensional drawing

# RF-17S1N8AWV00 - Device connector front mounting




1613740

<https://www.phoenixcontact.com/us/products/1613740>

## Approvals

To download certificates, visit the product detail page: <https://www.phoenixcontact.com/us/products/1613740>

 <b>cUL Recognized</b> Approval ID: E153698-20090723				
	Nominal voltage $U_N$	Nominal current $I_N$	Cross section AWG	Cross section $\text{mm}^2$
keine				
	48 V	1 A	26	-

 <b>UL Recognized</b> Approval ID: E153698-20090723				
	Nominal voltage $U_N$	Nominal current $I_N$	Cross section AWG	Cross section $\text{mm}^2$
keine				
	48 V	1 A	26	-

1613740

<https://www.phoenixcontact.com/us/products/1613740>

## Classifications

### ECLASS

ECLASS-13.0	27440109
ECLASS-15.0	27440109

### ETIM

ETIM 10.0	EC003569
-----------	----------

### UNSPSC

UNSPSC 21.0	39121400
-------------	----------

# RF-17S1N8AWV00 - Device connector front mounting



1613740

<https://www.phoenixcontact.com/us/products/1613740>

## Environmental product compliance

### EU RoHS

Fulfills EU RoHS substance requirements	Yes, No exemptions
---	--------------------

### China RoHS

Environment friendly use period (EFUP)	EFUP-E
	No hazardous substances above the limits

### EU REACH SVHC

REACH candidate substance (CAS No.)	No substance above 0.1 wt%
-------------------------------------	----------------------------

Phoenix Contact 2026 © - all rights reserved  
<https://www.phoenixcontact.com>

Phoenix Contact USA  
586 Fulling Mill Road  
Middletown, PA 17057, United States  
(+717) 944-1300  
[info@phoenixcon.com](mailto:info@phoenixcon.com)