

# RC-0000000H0VT - Housing for circular connector



1610053

<https://www.phoenixcontact.com/us/products/1610053>

Please be informed that the data shown in this PDF document is generated from our online catalog. Please find the complete data in the user documentation. Our general terms of use for downloads are valid.



Housing for circular connector, panel thickness min.: 0.8 mm, panel thickness max.: 6.5 mm. This product is in the process of being discontinued. This product must no longer be considered for new projects. Please contact your sales representative for alternatives.

## Commercial data

Item number	1610053
Packing unit	10 pc
Minimum order quantity	10 pc
Note	Made to order (non-returnable)
Product key	ABRAFS
GTIN	4046356391078
Weight per piece (including packing)	49.716 g
Weight per piece (excluding packing)	49.716 g
Country of origin	DE

# RC-0000000H0VT - Housing for circular connector



1610053

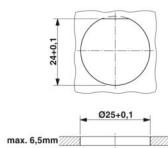
<https://www.phoenixcontact.com/us/products/1610053>

## Technical data

### Product properties

Product type	Circular connector housing
--------------	----------------------------

### Dimensions

Dimensional drawing	
Panel thickness	≥ 0.8 mm ... 6.5 mm

### Connector

#### Housing

Type	Feed-through header
Thread type	M23
Design	straight
Type of locking	Screw locking mechanism
Pg screw connection	none
Mounting type	Rear mounting (M25 x 1,5)
Assembly note	Central fastening
Material (Housing)	GD-Zn
Material (Housing surface)	Ni
Material (Rotating parts)	CuZn
Degree of protection (plugged in)	IP67
Seal for the device	Axial O-ring

# RC-0000000H0VT - Housing for circular connector

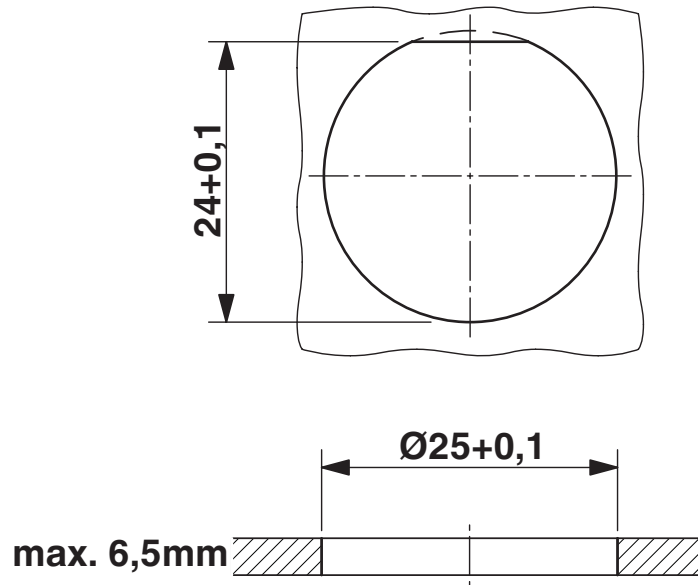
1610053

<https://www.phoenixcontact.com/us/products/1610053>



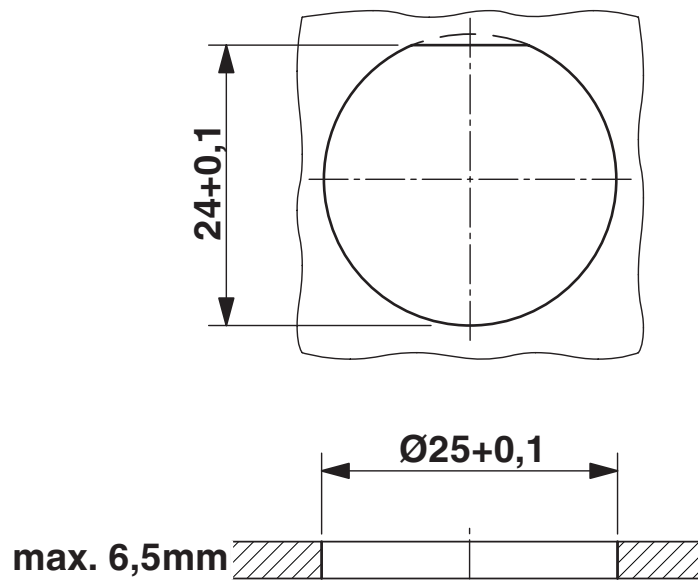
## Drawings

Dimensional drawing



Installation dimensions

Dimensional drawing



Installation dimensions

# RC-0000000H0VT - Housing for circular connector



1610053

<https://www.phoenixcontact.com/us/products/1610053>

## Classifications

### ECLASS

ECLASS-13.0	27440224
ECLASS-15.0	27440224

### UNSPSC

UNSPSC 21.0	39121409
-------------	----------

# RC-0000000H0VT - Housing for circular connector



1610053

<https://www.phoenixcontact.com/us/products/1610053>

## Environmental product compliance

### EU RoHS

Fulfills EU RoHS substance requirements	Yes, No exemptions
---	--------------------

### China RoHS

Environment friendly use period (EFUP)	EFUP-E
	No hazardous substances above the limits

### EU REACH SVHC

REACH candidate substance (CAS No.)	No substance above 0.1 wt%
-------------------------------------	----------------------------

Phoenix Contact 2026 © - all rights reserved  
<https://www.phoenixcontact.com>

Phoenix Contact USA  
586 Fulling Mill Road  
Middletown, PA 17057, United States  
(+717) 944-1300  
[info@phoenixcon.com](mailto:info@phoenixcon.com)