

RF-17P2N8AWA00 - Device connector front mounting



1607882

<https://www.phoenixcontact.com/us/products/1607882>

Please be informed that the data shown in this PDF document is generated from our online catalog. Please find the complete data in the user documentation. Our general terms of use for downloads are valid.



Device connector front mounting, application: Feedback, signal, straight, Screw locking mechanism, M23, number of positions: 17, contact connection type: Pin, Axial O-ring, 4x Ø 3.2, shielded: yes, number of positions: 17, connection method: Crimp connection, series: RF

The figure shows the 12-pos. product version with standard contact chamber numbering

Commercial data

Item number	1607882
Packing unit	1 pc
Minimum order quantity	1 pc
Note	Made to order (non-returnable)
Sales key	AB31
Product key	ABRAFL
GTIN	4046356174961
Weight per piece (including packing)	35.735 g
Weight per piece (excluding packing)	35.735 g
Customs tariff number	85366990
Country of origin	DE

1607882

<https://www.phoenixcontact.com/us/products/1607882>

Technical data

Notes

Order information:	Order crimp contacts Ø 1 mm separately
--------------------	--

Product properties

Product type	Circular connectors (device side)
Series	RF
Application	Feedback, signal Signal
Number of positions	17
Connection profile	17
Shielded	yes
Coding	N
Thread type	M23

Material specifications

Seal material	FPM
Housing material	Turned parts: copper zinc alloy (CuZn), die-cast parts: zinc (GD-Zn)
Insulator material	PA 6.6
Gasket and O-ring material	FPM

Electrical properties

Contact

Contact diameter	1 mm
Nominal current I_N	8 A
Nominal voltage U_N	100 V
Overvoltage category	III
Degree of pollution	3
Rated surge voltage	1.5 kV

Connection data

Conductor connection

Connection method	Crimp connection
Contact connection type	Pin

Connector

Type	straight
Direction of rotation	Counter direction

Environmental and real-life conditions

Ambient conditions

RF-17P2N8AWA00 - Device connector front mounting



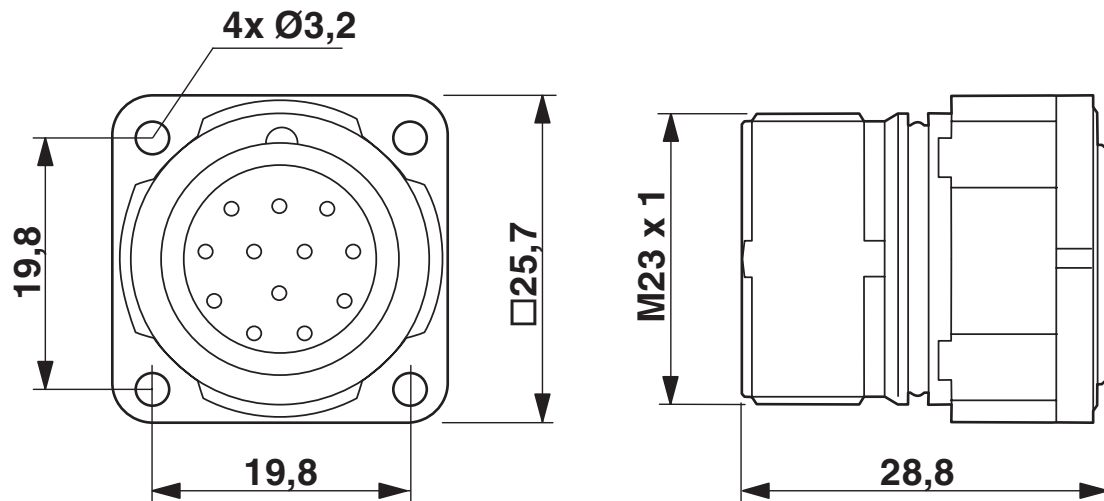
1607882

<https://www.phoenixcontact.com/us/products/1607882>

Degree of protection	IP67
Ambient temperature (operation)	-40 °C ... 125 °C
Altitude	2000 m

Drawings

Dimensional drawing



RF-...N8AWA00, RF-...N8AWB00

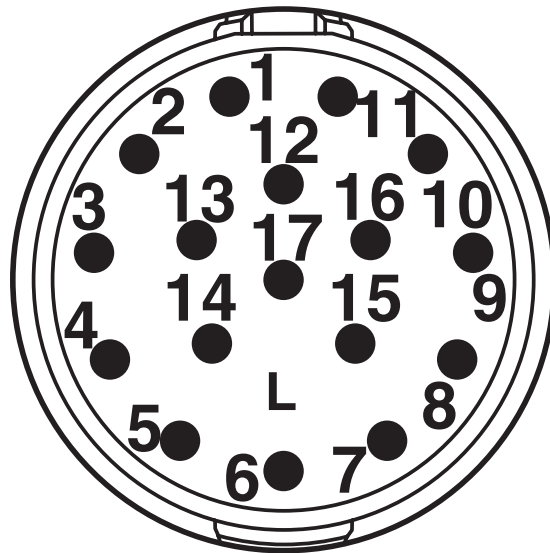
Dimensional drawing



1607882

<https://www.phoenixcontact.com/us/products/1607882>

Schematic diagram



RF-17P2N8AWA00 - Device connector front mounting



1607882

<https://www.phoenixcontact.com/us/products/1607882>

Environmental product compliance

China RoHS

Environment friendly use period (EFUP)	EFUP-E
	No hazardous substances above the limits

EU REACH SVHC

REACH candidate substance (CAS No.)	No substance above 0.1 wt%
-------------------------------------	----------------------------

Phoenix Contact 2026 © - all rights reserved
<https://www.phoenixcontact.com>

Phoenix Contact USA
586 Fulling Mill Road
Middletown, PA 17057, United States
(+717) 944-1300
info@phoenixcon.com