

VC-KU-SET RUGGED-LINE - Sleeve housing



1607130

<https://www.phoenixcontact.com/us/products/1607130>

Please be informed that the data shown in this PDF document is generated from our online catalog. Please find the complete data in the user documentation. Our general terms of use for downloads are valid.



Sleeve housing, metal, with EMC coating

Commercial data

Item number	1607130
Packing unit	1 pc
Note	Made to order (non-returnable)
Sales key	AB01
Product key	ABLADB
GTIN	4017918912727
Weight per piece (including packing)	560.7 g
Weight per piece (excluding packing)	560.7 g
Customs tariff number	85369010
Country of origin	PL

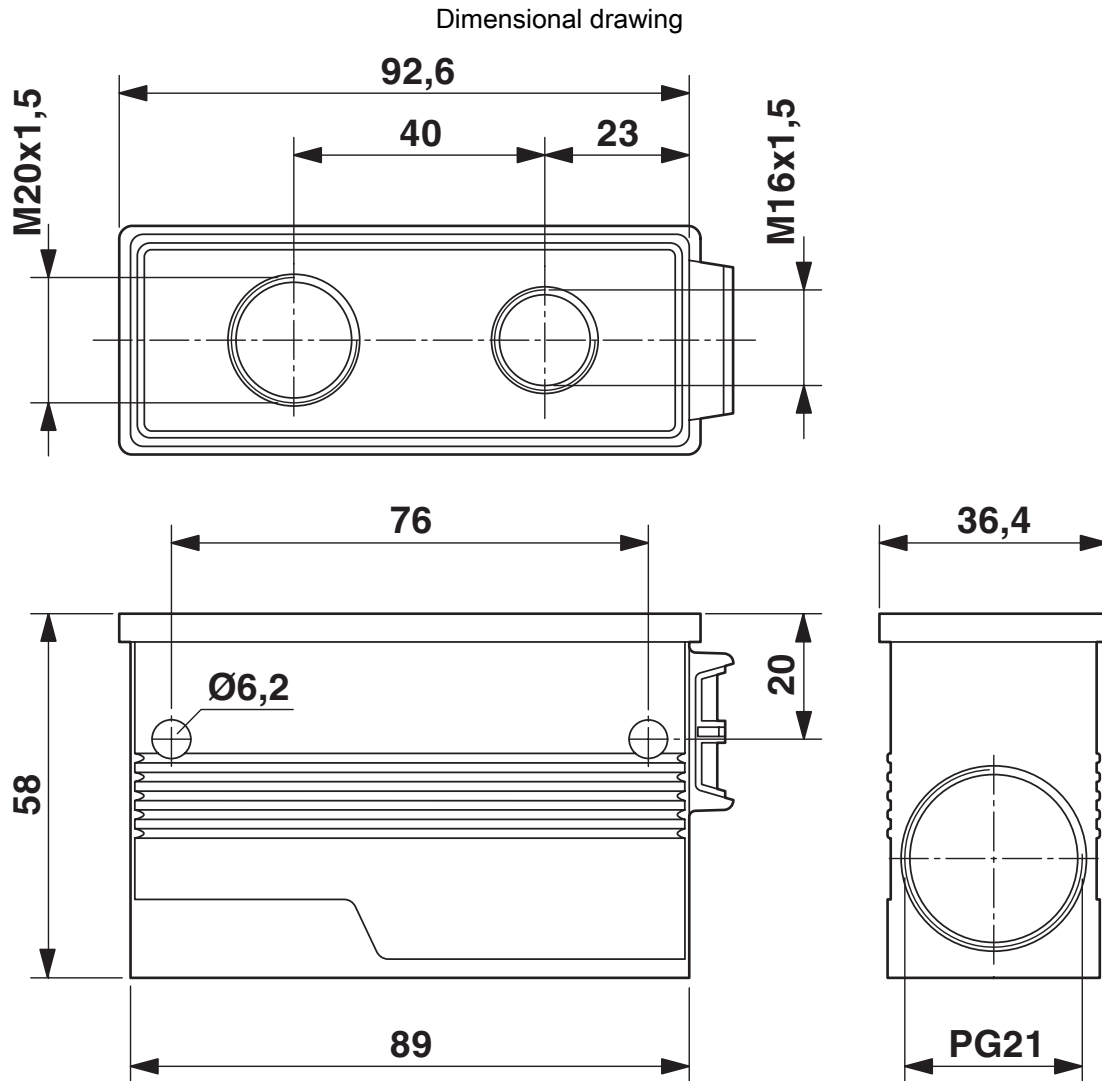
VC-KU-SET RUGGED-LINE - Sleeve housing



1607130

<https://www.phoenixcontact.com/us/products/1607130>

Drawings



Phoenix Contact 2026 © - all rights reserved
<https://www.phoenixcontact.com>

Phoenix Contact USA
586 Fulling Mill Road
Middletown, PA 17057, United States
(+717) 944-1300
info@phoenixcon.com