

# UC-0000000QNDU - Rear panel feed-through



1607083

<https://www.phoenixcontact.com/us/products/1607083>

Please be informed that the data shown in this PDF document is generated from our online catalog. Please find the complete data in the user documentation. Our general terms of use for downloads are valid.



Rear panel feed-through, series: UC, straight, Screw locking mechanism, M23, number of positions: 12, contact connection type: Socket, Crimp connection, Axial O-ring, Central fixing, shielded: yes, cable diameter range: 6.5 mm... 14.5 mm

## Commercial data

Item number	1607083
Packing unit	1 pc
Note	Made to order (non-returnable)
Sales key	AB31
Product key	ABRAIK
GTIN	4046356331500
Weight per piece (including packing)	137.56 g
Weight per piece (excluding packing)	137.56 g
Customs tariff number	85366990
Country of origin	DE

# UC-0000000QNDU - Rear panel feed-through



1607083

<https://www.phoenixcontact.com/us/products/1607083>

## Technical data

### Notes

Order information:	Order contact inserts separately
--------------------	----------------------------------

### Product properties

Product type	Sleeve housings
Series	UC
Application	Signal
Connection profile	12
Shielded	yes
Thread type	M23

### Connection data

Connection method	Crimp connection
-------------------	------------------

### Material specifications

Seal material	FPM or NBR or EPDM
Housing material	Metal
Housing material	Turned parts: copper zinc alloy (CuZn), die-cast parts: zinc (GD-Zn)
Gasket and O-ring material	FPM

### Connector

Type	straight
------	----------

### Cable/line

External cable diameter	6.5 mm ... 14.5 mm
-------------------------	--------------------

### Environmental and real-life conditions

#### Ambient conditions

Degree of protection	IP67
Ambient temperature (operation)	-20 °C ... 125 °C
Altitude	2000 m

### Mounting

Mounting	Central fixing
----------	----------------

# UC-0000000QNDU - Rear panel feed-through

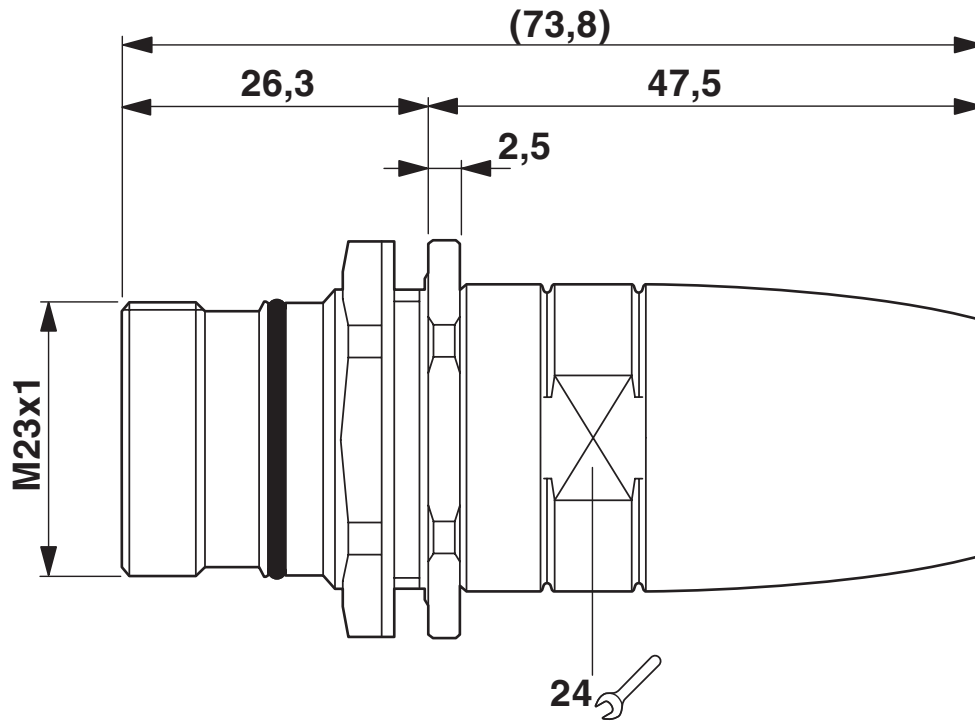


1607083

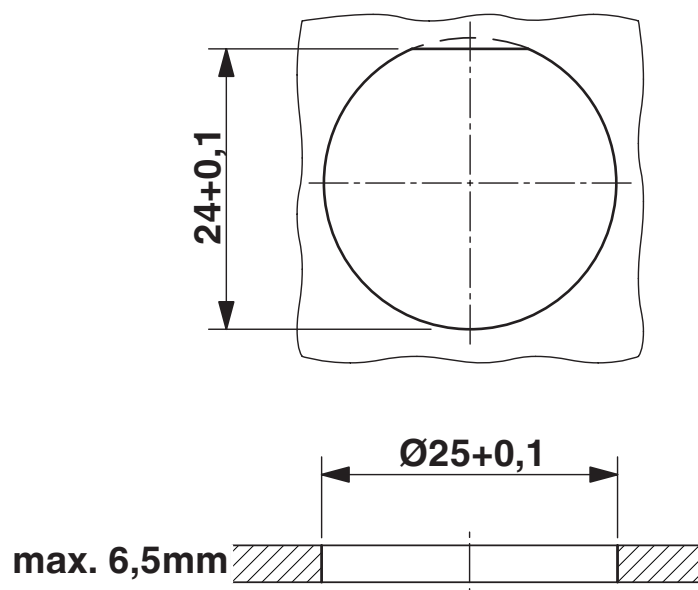
<https://www.phoenixcontact.com/us/products/1607083>

## Drawings

Dimensional drawing



Dimensional drawing

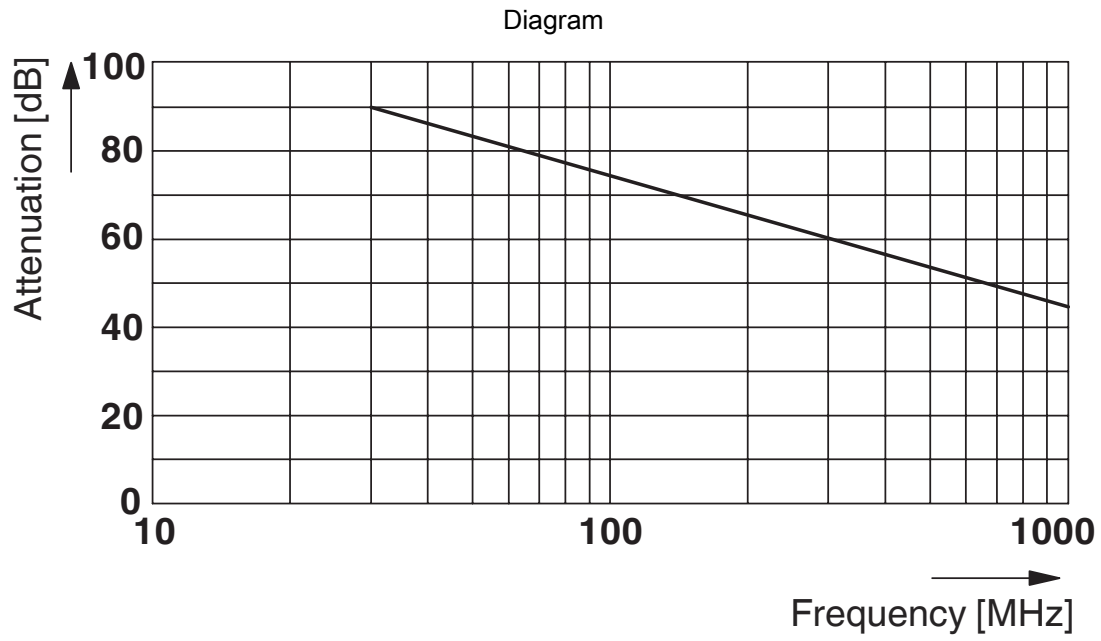


# UC-0000000QNDU - Rear panel feed-through



1607083

<https://www.phoenixcontact.com/us/products/1607083>



# UC-0000000QNDU - Rear panel feed-through



1607083

<https://www.phoenixcontact.com/us/products/1607083>

## Classifications

### UNSPSC

UNSPSC 21.0	39121413
-------------	----------

1607083

<https://www.phoenixcontact.com/us/products/1607083>

## Environmental product compliance

### EU RoHS

Fulfills EU RoHS substance requirements	Yes
Exemption	6(c)

### China RoHS

Environment friendly use period (EFUP)	EFUP-50
	An article-related China RoHS declaration table can be found in the download area for the respective article under "Manufacturer declaration". For all articles with EFUP-E, no China RoHS declaration table issued and required.

### EU REACH SVHC

REACH candidate substance (CAS No.)	No substance above 0.1 wt%
-------------------------------------	----------------------------

Phoenix Contact 2026 © - all rights reserved  
<https://www.phoenixcontact.com>

Phoenix Contact USA  
586 Fulling Mill Road  
Middletown, PA 17057, United States  
(+717) 944-1300  
[info@phoenixcon.com](mailto:info@phoenixcon.com)