

# HC-D 7-KML-61/O1M20 - Housing



1604883

<https://www.phoenixcontact.com/us/products/1604883>

Please be informed that the data shown in this PDF document is generated from our online catalog. Please find the complete data in the user documentation. Our general terms of use for downloads are valid.



HEAVYCON D7 coupling housing, with single locking latch, height: 60.5 mm, with 1 x M20 gland, zinc die-cast

## Commercial data

Item number	1604883
Packing unit	1 pc
Note	Made to order (non-returnable)
Sales key	BF55
Product key	AF7AAE
GTIN	4017918881597
Weight per piece (including packing)	88.7 g
Weight per piece (excluding packing)	88.7 g
Customs tariff number	85389099
Country of origin	DE

# HC-D 7-KML-61/O1M20 - Housing

1604883

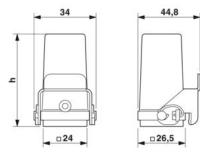
<https://www.phoenixcontact.com/us/products/1604883>

## Technical data

### Product properties

Product type	Housing with locking latch
Housing type	Coupling housings
Application	Standard
Type	D7
No. of cable outlets	1
Type of the screw connection	1x M20
Shielded	no
Cable outlet	straight
Pg screw connection	none

### Dimensions

Dimensional drawing	
Width	34 mm
Height	60.5 mm
Length	26.5 mm

### Material specifications

Housing material	Die-cast zinc
Housing surface material	Powder-coated, gray
Locking latch material	Steel, galvanized

### Mechanical properties

#### Mechanical data

Type of the screw connection	1x M20
Locking type	Latch

### Environmental and real-life conditions

#### Ambient conditions

Degree of protection	IP54 IP65 (with sealing screw)
Ambient temperature (operation)	-40 °C ... 125 °C

# HC-D 7-KML-61/O1M20 - Housing

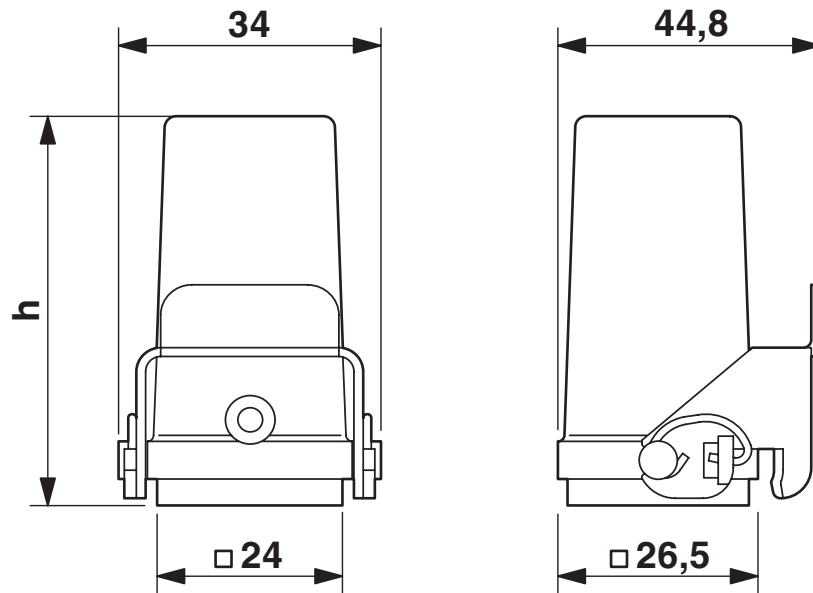
1604883

<https://www.phoenixcontact.com/us/products/1604883>



## Drawings

Dimensional drawing



Height h = 61 mm

# HC-D 7-KML-61/O1M20 - Housing



1604883

<https://www.phoenixcontact.com/us/products/1604883>

## Classifications

### ECLASS

ECLASS-13.0	27440202
ECLASS-15.0	27440202

# HC-D 7-KML-61/O1M20 - Housing



1604883

<https://www.phoenixcontact.com/us/products/1604883>

## Environmental product compliance

### China RoHS

Environment friendly use period (EFUP)	EFUP-E
	No hazardous substances above the limits

### EU REACH SVHC

REACH candidate substance (CAS No.)	No substance above 0.1 wt%
-------------------------------------	----------------------------

Phoenix Contact 2026 © - all rights reserved  
<https://www.phoenixcontact.com>

Phoenix Contact USA  
586 Fulling Mill Road  
Middletown, PA 17057, United States  
(+717) 944-1300  
[info@phoenixcon.com](mailto:info@phoenixcon.com)