

HC-B 6-SMLD-52/O2M20 - Housing

1604729

<https://www.phoenixcontact.com/us/products/1604729>

Please be informed that the data shown in this PDF document is generated from our online catalog. Please find the complete data in the user documentation. Our general terms of use for downloads are valid.



HEAVYCON box mounting base B6, with single locking latch and cover. Height 52 mm, with supports 2xM20

Commercial data

Item number	1604729
Packing unit	1 pc
Note	Made to order (non-returnable)
Sales key	BF55
Product key	AF7AAC
GTIN	4017918881801
Weight per piece (including packing)	257.27 g
Weight per piece (excluding packing)	242.71 g
Customs tariff number	85389099
Country of origin	DE

HC-B 6-SMLD-52/O2M20 - Housing

1604729

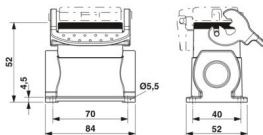
<https://www.phoenixcontact.com/us/products/1604729>

Technical data

Product properties

Product type	Housing with locking latch
Housing type	Surface mounting housing
Application	Standard
Type	B6
No. of cable outlets	2
Type of the screw connection	2x M20
Protective cover	yes
Shielded	no
Cable outlet	lateral
Pg screw connection	none

Dimensions

Dimensional drawing	
Width	52 mm
Height	52 mm
Length	84 mm

Material specifications

Seal material	NBR
Housing material	Die-cast aluminum
Housing surface material	Powder-coated, gray
Material, protective cover	PA
Locking latch material	Stainless steel, handle: PA

Mechanical properties

Mechanical data

Type of the screw connection	2x M20
Locking type	Latch

Environmental and real-life conditions

Ambient conditions

Degree of protection	IP65 (When plugged in) IP54 (with closed protective cover)
Ambient temperature (operation)	-40 °C ... 125 °C

HC-B 6-SMLD-52/O2M20 - Housing

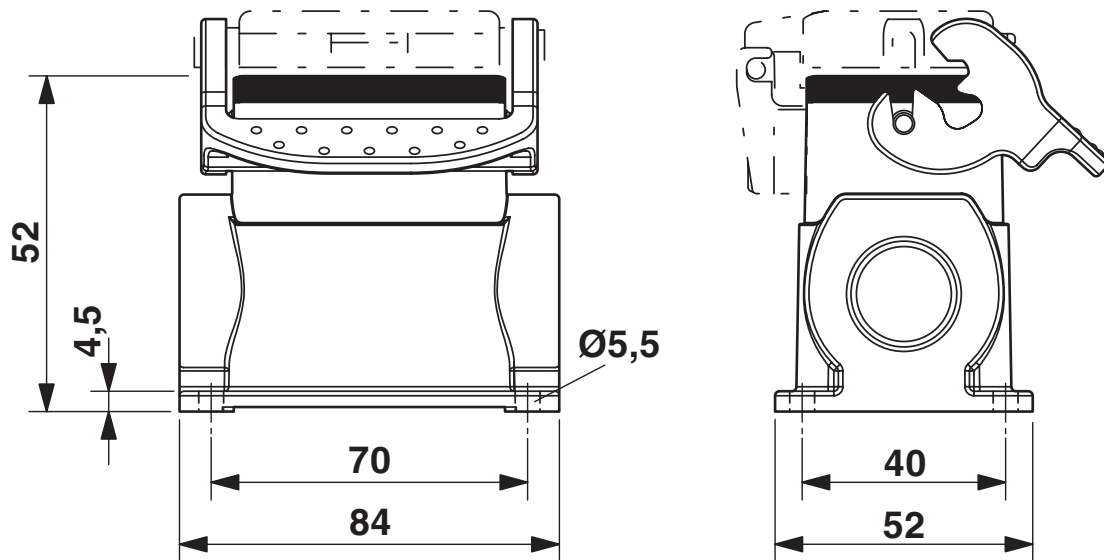
1604729

<https://www.phoenixcontact.com/us/products/1604729>



Drawings

Dimensional drawing



Dimensional drawing

HC-B 6-SMLD-52/O2M20 - Housing



1604729

<https://www.phoenixcontact.com/us/products/1604729>

Classifications

ECLASS

ECLASS-13.0	27440202
ECLASS-15.0	27440202

UNSPSC

UNSPSC 21.0	31261501
-------------	----------

HC-B 6-SMLD-52/O2M20 - Housing



1604729

<https://www.phoenixcontact.com/us/products/1604729>

Environmental product compliance

China RoHS

Environment friendly use period (EFUP)	EFUP-E
	No hazardous substances above the limits

EU REACH SVHC

REACH candidate substance (CAS No.)	No substance above 0.1 wt%
-------------------------------------	----------------------------

Phoenix Contact 2026 © - all rights reserved
<https://www.phoenixcontact.com>

Phoenix Contact USA
586 Fulling Mill Road
Middletown, PA 17057, United States
(+717) 944-1300
info@phoenixcon.com