

RC-Z2068 - Metal protective cap



1604236

<https://www.phoenixcontact.com/us/products/1604236>

Please be informed that the data shown in this PDF document is generated from our online catalog. Please find the complete data in the user documentation. Our general terms of use for downloads are valid.

Metal protective cap, M23, series: RC, UC, RF, SF, NC, RM, this item is expected to be lead-free from Q2 2026 in accordance with RoHS II without exception 6c (Pb < 0.1%), a lead-free alternative is possible on request in advance



Commercial data

| | |
|--------------------------------------|---------------|
| Item number | 1604236 |
| Packing unit | 10 pc |
| Minimum order quantity | 1 pc |
| Sales key | AB36 |
| Product key | ABRGAB |
| GTIN | 4046356248211 |
| Weight per piece (including packing) | 14.8 g |
| Weight per piece (excluding packing) | 13.657 g |
| Customs tariff number | 74198090 |
| Country of origin | DE |

RC-Z2068 - Metal protective cap



1604236

<https://www.phoenixcontact.com/us/products/1604236>

Technical data

Product properties

| | |
|--------------|----------------|
| Product type | Protective cap |
| Series | RC |
| | UC |
| | RF |
| | SF |
| | NC |
| | RM |

Material specifications

| | |
|------------------|-------|
| Material Housing | Metal |
|------------------|-------|

Environmental and real-life conditions

Ambient conditions

| | |
|----------------------|------|
| Degree of protection | IP67 |
|----------------------|------|

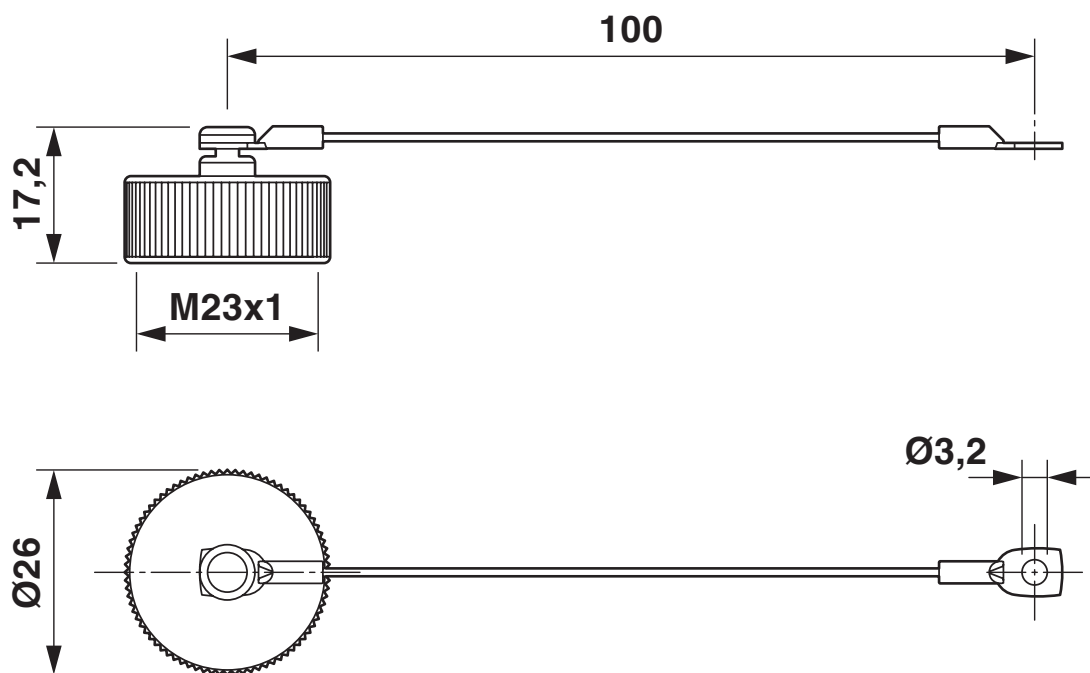
RC-Z2068 - Metal protective cap

1604236

<https://www.phoenixcontact.com/us/products/1604236>

Drawings

Dimensional drawing



Dimensional drawing

RC-Z2068 - Metal protective cap



1604236

<https://www.phoenixcontact.com/us/products/1604236>

Classifications

ECLASS

| | |
|-------------|----------|
| ECLASS-13.0 | 27440208 |
| ECLASS-15.0 | 27440208 |

ETIM

| | |
|-----------|----------|
| ETIM 10.0 | EC002314 |
|-----------|----------|

UNSPSC

| | |
|-------------|----------|
| UNSPSC 21.0 | 39121400 |
|-------------|----------|

RC-Z2068 - Metal protective cap



1604236

<https://www.phoenixcontact.com/us/products/1604236>

Environmental product compliance

EU RoHS

| | |
|---|------|
| Fulfills EU RoHS substance requirements | Yes |
| Exemption | 6(c) |

China RoHS

| | |
|--|---|
| Environment friendly use period (EFUP) | EFUP-50 |
| | An article-related China RoHS declaration table can be found in the download area for the respective article under "Manufacturer declaration". For all articles with EFUP-E, no China RoHS declaration table issued and required. |

EU REACH SVHC

| | |
|-------------------------------------|--------------------------------------|
| REACH candidate substance (CAS No.) | Lead(CAS: 7439-92-1) |
| SCIP | 5674510c-a30a-4687-b4ad-3f59f9306191 |

Phoenix Contact 2026 © - all rights reserved

<https://www.phoenixcontact.com>

Phoenix Contact USA
586 Fulling Mill Road
Middletown, PA 17057, United States
(+717) 944-1300
info@phoenixcon.com