

DC-B 6-SET-WF-M20R-M-7X4-UT - Connector set



1602232

<https://www.phoenixcontact.com/us/products/1602232>

Please be informed that the data shown in this PDF document is generated from our online catalog. Please find the complete data in the user documentation. Our general terms of use for downloads are valid.



Duplicon, aluminum panel feed-through set with a panel mounting base, with a stackable housing with M20 cable screw connection thread (without cable screw connection), with two contact inserts $6 \times 4 \text{ mm}^2 + \text{PE}$, 400/690 V, 25 A, screw connection and a housing cover, type B6, IP67 protection

Commercial data

Item number	1602232
Packing unit	1 pc
Note	Made to order (non-returnable)
Sales key	B10
Product key	AF7BFX
GTIN	4046356027939
Weight per piece (including packing)	463.9 g
Weight per piece (excluding packing)	456 g
Customs tariff number	85366990
Country of origin	DE

DC-B 6-SET-WF-M20R-M-7X4-UT - Connector set



1602232

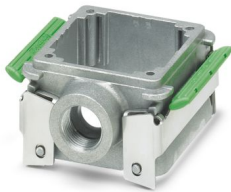
<https://www.phoenixcontact.com/us/products/1602232>

Set consists of

DC-B 6-HD-M20-M - Stackable housing

1602041

<https://www.phoenixcontact.com/us/products/1602041>



DUPLICON, aluminum stackable housing for DUPLICON contact inserts, type B6, IP67 protection, with two locking latches, gasket and an M20 cable screw connection thread (without cable screw connection)

DC-B 6-ID-7X4-UT - Contact insert

1602203

<https://www.phoenixcontact.com/us/products/1602203>



DUPLICON, connector contact insert, 6 x 4 mm² + PE, 400/690 V, 25 A, screw connection, type B6, IP20 protection

DC-B 6-SET-WF-M20R-M-7X4-UT - Connector set



1602232

<https://www.phoenixcontact.com/us/products/1602232>

DC-B 6-CT-M - Housing cover

1602025

<https://www.phoenixcontact.com/us/products/1602025>



DUPLICON, aluminum housing cover, type B6, IP67 protection, with two M3 screws, V2A, captive, gasket and hole for retaining cord, for self-tapping M3 screw

1602232

<https://www.phoenixcontact.com/us/products/1602232>

Technical data

Product properties

Product type	Connector set
Housing type	Panel feed-through set
Type	DC-B6
Number of positions	6
Set comprises	1602038 DC-B 6-HB-M
No. of cable outlets	1
Type of the screw connection	with M20 thread
Seal present	yes
Cable outlet	lateral
Pg screw connection	none

Insulation characteristics

Overvoltage category	III
Degree of pollution	3

Electrical properties

Maximum load current	32 A (L1/L2/L3)
Rated voltage (II/2)	1000 V
Rated voltage (III/2)	1000 V
Rated voltage (III/3)	400 V (L-PE)
	690 V (L-L)
	630 V
Rated surge voltage (II/2)	6 kV
Rated surge voltage (III/2)	8 kV
Rated surge voltage (III/3)	6 kV
Rated surge voltage	6 kV
Rated current	25 A (with 4 mm ² conductor cross-section)
	25 A
Contact resistance	1.5 mΩ
Nominal current I _N	25 A

Connection data

Connection method	Screw connection
Connection technology	Screw connection
Conductor cross-section	0.2 mm ² ... 4 mm ² (6 mm ² without ferrule)
	0.2 mm ² ... 4 mm ² (6 mm ² without ferrule)
Connection cross section AWG	24 ... 12 (AWG 10 without ferrule)
Tightening torque	0.5 Nm ... 0.6 Nm
Stripping length of the individual wire	10 mm

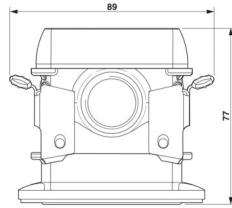
Dimensions

DC-B 6-SET-WF-M20R-M-7X4-UT - Connector set



1602232

<https://www.phoenixcontact.com/us/products/1602232>

Dimensional drawing	
Width	75 mm
Height	77 mm
Length	89 mm

Installation dimensions

Width of the assembly cutout	55 mm
Length of the assembly cutout	55 mm

Material specifications

Color	pearl gray
Material Housing	Die-cast aluminum
Flammability rating according to UL 94	V0
Seal material	NBR
Housing material	Die-cast aluminum
Contact material	Copper alloy
Contact surface material	Ag
Contact carrier material	PA
Locking latch material	Stainless steel

Cable/line

Stripping length of the individual wire	10 mm
---	-------

Mechanical properties

Mechanical data

Type of the screw connection	with M20 thread
Locking type	Latch
Insertion/withdrawal cycles	≥ 100

Environmental and real-life conditions

Ambient conditions

Degree of protection	IP65 IP66 IP67 IP65/IP66/IP67
Impact strength	IK08
Ambient temperature (operation)	-40 °C ... 100 °C

DC-B 6-SET-WF-M20R-M-7X4-UT - Connector set



1602232

<https://www.phoenixcontact.com/us/products/1602232>

Mounting

Mounting type	Screw mounting
---------------	----------------

DC-B 6-SET-WF-M20R-M-7X4-UT - Connector set

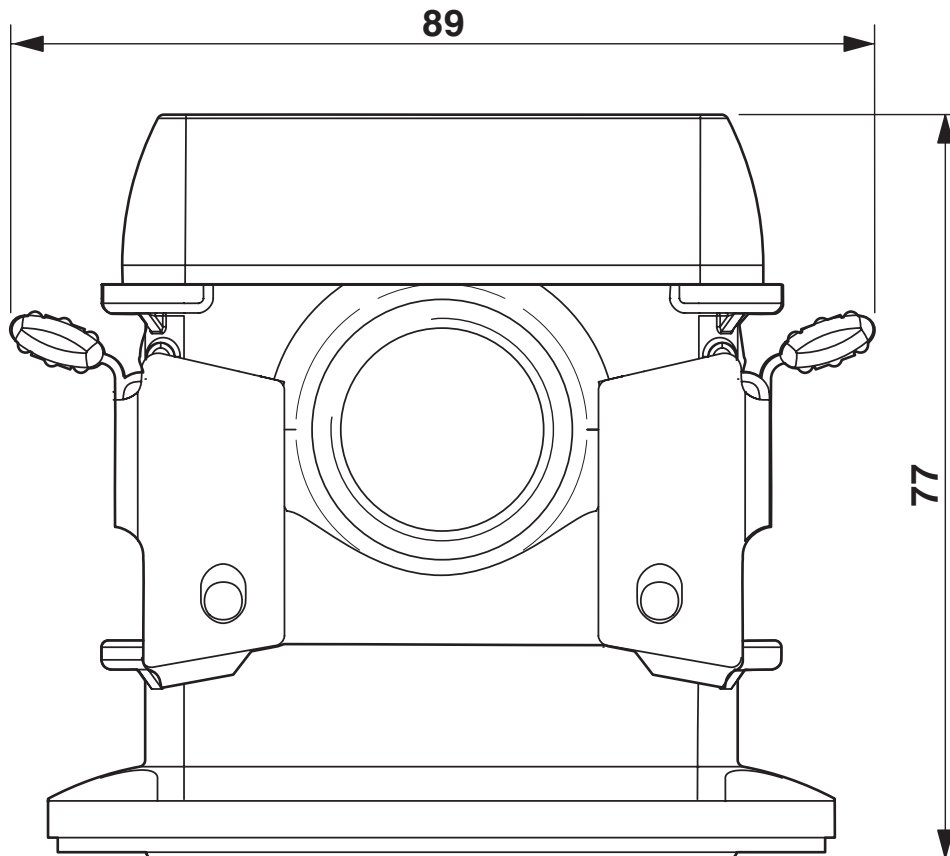


1602232

<https://www.phoenixcontact.com/us/products/1602232>

Drawings

Dimensional drawing



Dimensional drawing

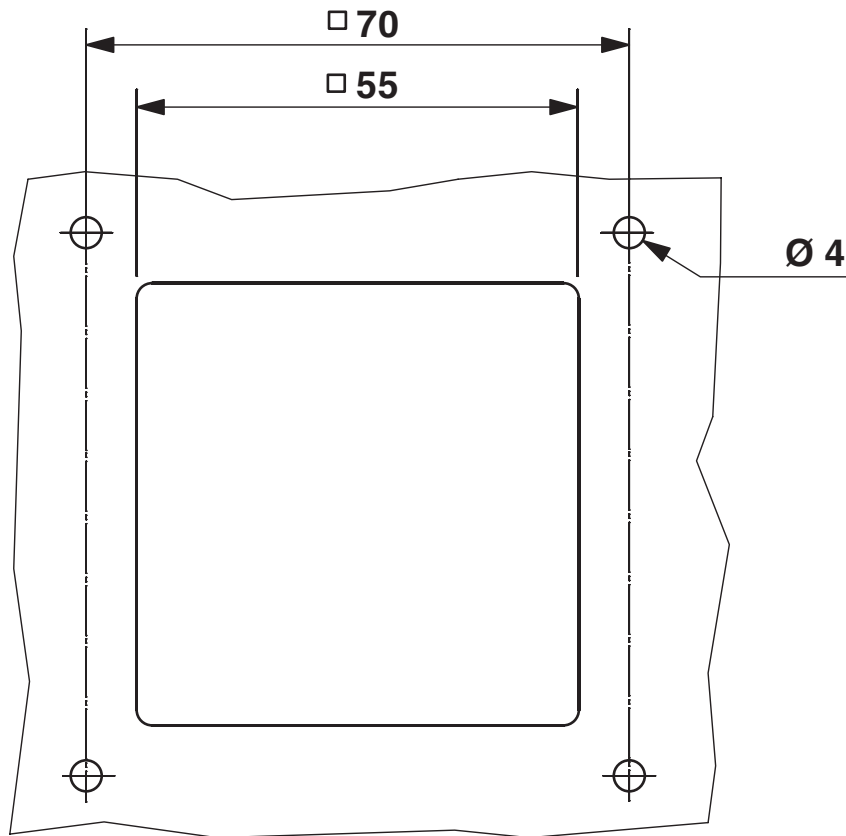
DC-B 6-SET-WF-M20R-M-7X4-UT - Connector set



1602232

<https://www.phoenixcontact.com/us/products/1602232>

Dimensional drawing

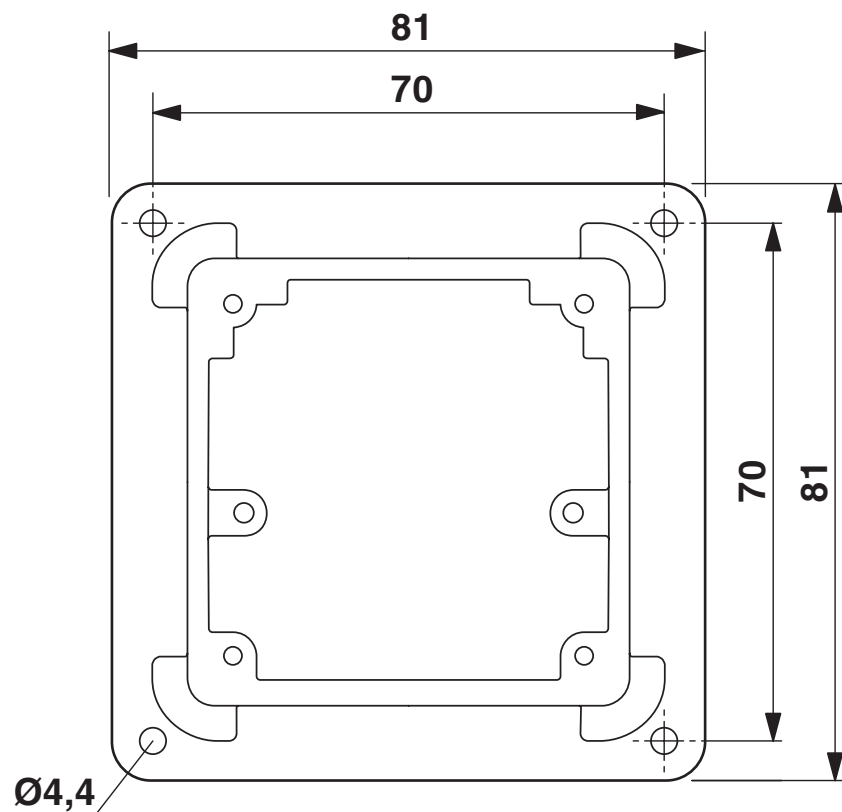


Panel cutout: DC-B 6-SET-WF...

1602232

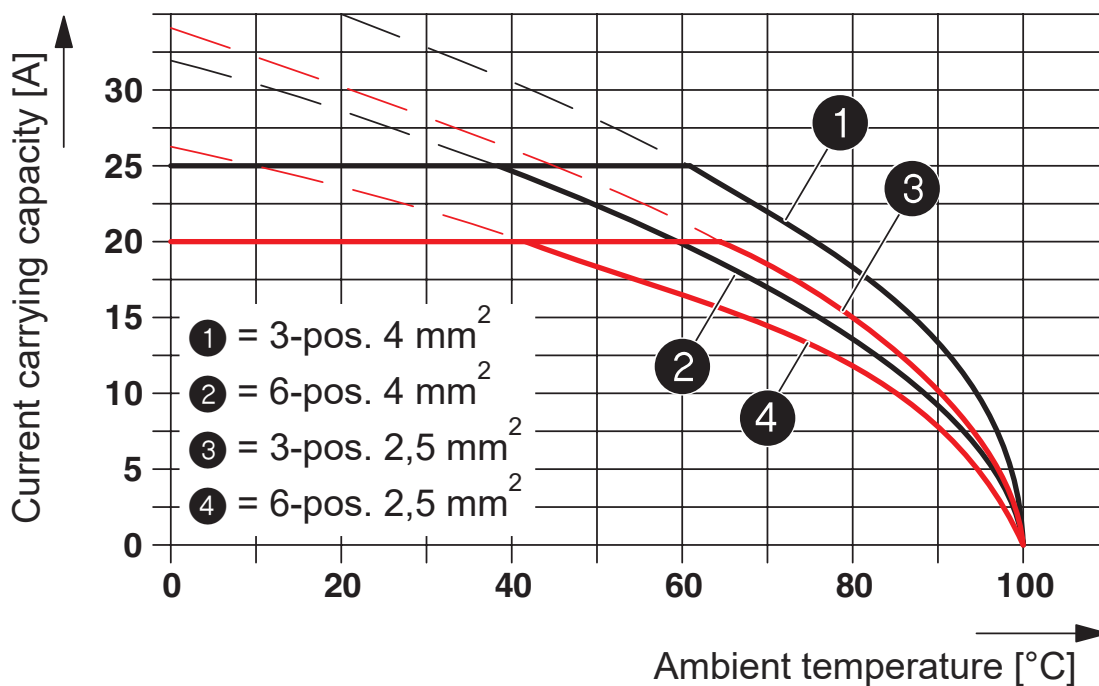
<https://www.phoenixcontact.com/us/products/1602232>

Dimensional drawing



Dimensional drawing (lateral view)

Diagram



DC-B 6-SET-WF-M20R-M-7X4-UT - Connector set



1602232

<https://www.phoenixcontact.com/us/products/1602232>

Classifications

UNSPSC

UNSPSC 21.0	39121409
-------------	----------

1602232

<https://www.phoenixcontact.com/us/products/1602232>

Environmental product compliance

China RoHS

Environment friendly use period (EFUP)	EFUP-50
	An article-related China RoHS declaration table can be found in the download area for the respective article under "Manufacturer declaration". For all articles with EFUP-E, no China RoHS declaration table issued and required.

EU REACH SVHC

REACH candidate substance (CAS No.)	No substance above 0.1 wt%
-------------------------------------	----------------------------

Phoenix Contact 2026 © - all rights reserved
<https://www.phoenixcontact.com>

Phoenix Contact USA
586 Fulling Mill Road
Middletown, PA 17057, United States
(+717) 944-1300
info@phoenixcon.com