

RC-12P1N12H000 - Device connector rear mounting



1597207

<https://www.phoenixcontact.com/us/products/1597207>

Please be informed that the data shown in this PDF document is generated from our online catalog. Please find the complete data in the user documentation. Our general terms of use for downloads are valid.



M23, Device connector rear mounting, application: Signal, series: RC, straight, shielded: yes, Screw locking mechanism, No. of pos.: 12, Direction of rotation: Standard, contact connection type: Pin, Solder cup, Axial O-ring, Panel thickness min.: 0.8 mm, Panel thickness max.: 6.5 mm, coding: N

Commercial data

Item number	1597207
Packing unit	1 pc
Note	Made to order (non-returnable)
Sales key	AB31
Product key	ABRAFR
GTIN	4046356214926
Weight per piece (including packing)	57.14 g
Weight per piece (excluding packing)	57.14 g
Customs tariff number	85366990
Country of origin	DE

RC-12P1N12H000 - Device connector rear mounting



1597207

<https://www.phoenixcontact.com/us/products/1597207>

Technical data

Product properties

Product type	Circular connectors (device side)
--------------	-----------------------------------

Material specifications

Housing material	Metal
------------------	-------

Connector

Insulating body

Coding	N
Material (Insulating body)	PBT
Material (Contact)	CuZn
Material (Contact surface)	Ni/Au
Insertion/withdrawal cycles	100
Connection method	Solder cup
Contact switching type	Pin
Application	Signal
Number of positions	12
Direction of rotation	Standard
Connection profile	12
Number (Contact group 1)	12
Contact diameter (Contact group 1)	1 mm
Litz wires Min. cross section (Contact group 1)	0.08 mm ²
Litz wires Max. cross section (Contact group 1)	1 mm ²
Rated current Contact (Contact group 1)	8 A (for max. connection cross section)
Rated voltage Contact (Contact group 1)	48 V AC 74 V DC
Rated surge voltage	1.5 kV
Overvoltage category	III
Degree of pollution	3

Housing

Type	Feed-through header
Thread type	M23
Design	straight
Type of locking	Screw locking mechanism
Pg screw connection	none
Mounting type	Rear mounting (M25 x 1,5)
Assembly note	Central fastening
Material (Housing)	GD-Zn
Material (Housing surface)	Ni
Material (Rotating parts)	CuZn

RC-12P1N12H000 - Device connector rear mounting



1597207

<https://www.phoenixcontact.com/us/products/1597207>

Degree of protection (plugged in)	IP67
Seal for the device	Axial O-ring

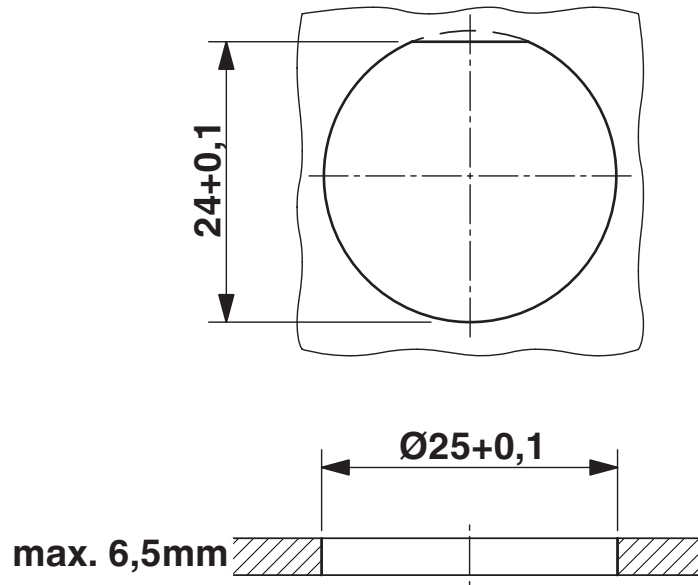
RC-12P1N12H000 - Device connector rear mounting

1597207

<https://www.phoenixcontact.com/us/products/1597207>

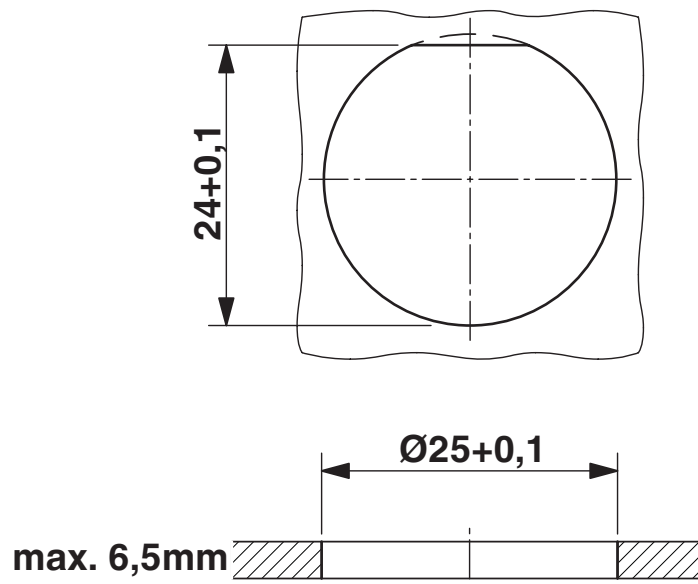
Drawings

Dimensional drawing



Installation dimensions

Dimensional drawing



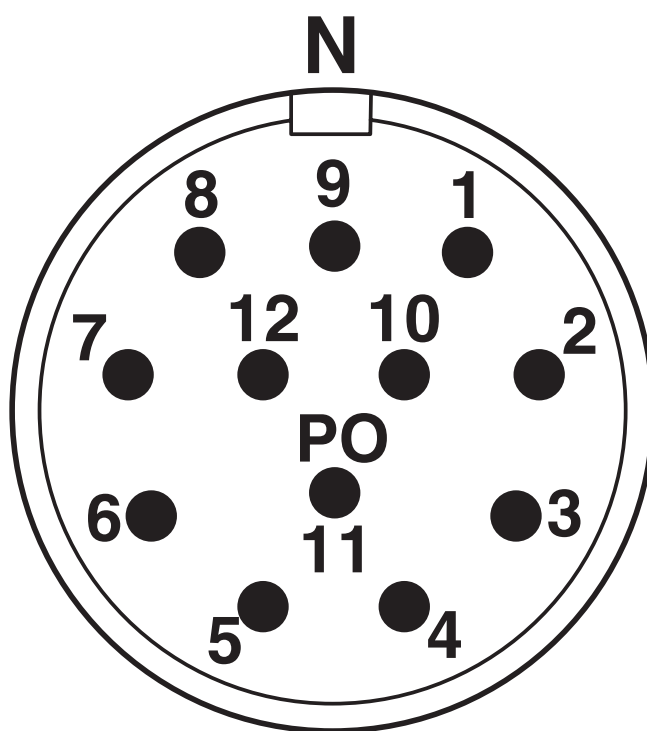
Installation dimensions

RC-12P1N12H000 - Device connector rear mounting

1597207

<https://www.phoenixcontact.com/us/products/1597207>

Schematic diagram



Connector pin assignment

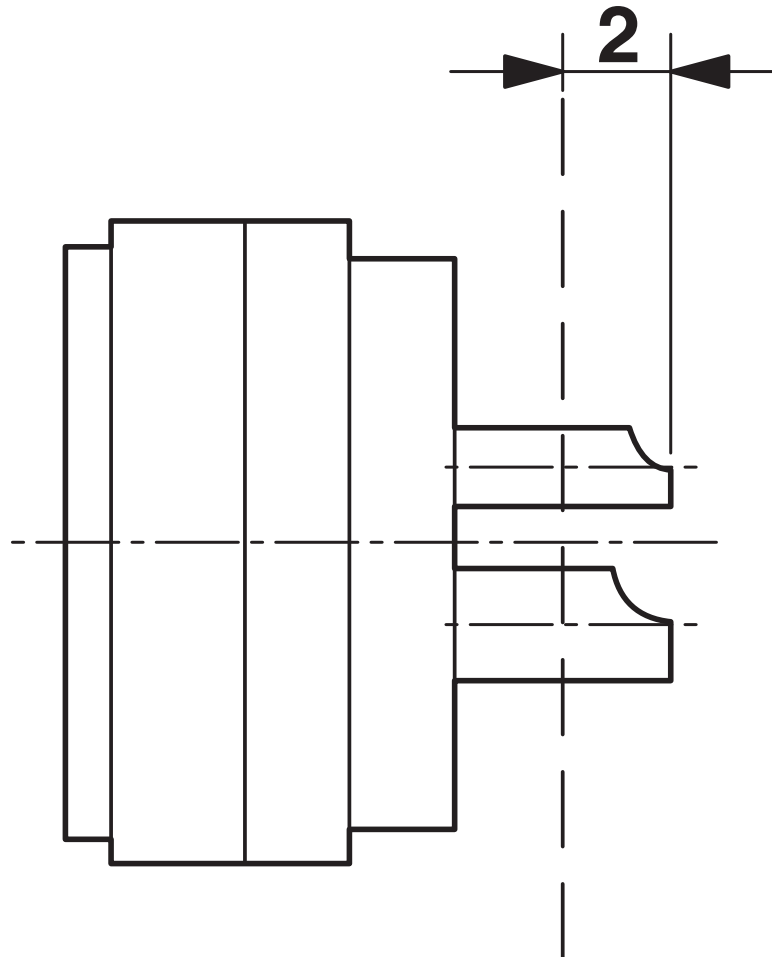
RC-12P1N12H000 - Device connector rear mounting



1597207

<https://www.phoenixcontact.com/us/products/1597207>

Schematic diagram



Dimensional drawing

Phoenix Contact 2026 © - all rights reserved
<https://www.phoenixcontact.com>

Phoenix Contact USA
586 Fulling Mill Road
Middletown, PA 17057, United States
(+717) 944-1300
info@phoenixcon.com