

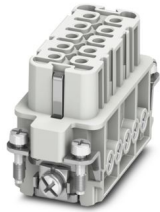
HC-A10-I-UT-F - Contact insert



1585304

<https://www.phoenixcontact.com/us/products/1585304>

Please be informed that the data shown in this PDF document is generated from our online catalog. Please find the complete data in the user documentation. Our general terms of use for downloads are valid.



Contact insert, number of positions: 10+PE, size: D15, number of connections per position: 1, Socket, Screw connection, 250 V, 16 A, 0.5 mm² ... 2.5 mm²

Your advantages

- Can be coded with plastic coding profile (order number 1410916)
- For a test pin 2 mm in diameter
- Shock and vibration-resistant in accordance with DIN EN 61373

Commercial data

Item number	1585304
Packing unit	1 pc
Minimum order quantity	1 pc
Sales key	BF61
Product key	AF7ABB
GTIN	4046356285032
Weight per piece (including packing)	47.2 g
Weight per piece (excluding packing)	46.5 g
Customs tariff number	85366990
Country of origin	CN

HC-A10-I-UT-F - Contact insert



1585304

<https://www.phoenixcontact.com/us/products/1585304>

Technical data

Notes

General	for flexible conductors with or without ferrules
General	Connectors may be operated only when there is no load/voltage.
General	for housing HC-D15

Mounting

Assembly note	To ensure correct use, installation in housing with IP54 protection or better is required
	for plastic coding profiles: 4 pcs.

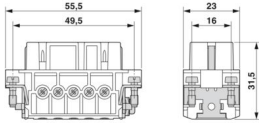
Product properties

Product type	Contact insert with a fixed no. of positions
Series	HC-A
Type	D15
Number of positions	10
Connection profile	10+PE
Contact numbering	1 - 10
Number of connections per position	1
Contact material type	turned
Screwdriver blade	0.5 x 3.5 mm

Insulation characteristics

Overvoltage category	III
Degree of pollution	3

Dimensions

Dimensional drawing	
Width	23 mm
Height	31.5 mm
Length	55.5 mm
Drill hole distance, horizontal	49.5 mm
Drill hole distance, vertical	16 mm

Mechanical characteristics

Contact diameter	2.5 mm
------------------	--------

Connection data

Connection technology	
Connection technology	Screw connection

HC-A10-I-UT-F - Contact insert



1585304

<https://www.phoenixcontact.com/us/products/1585304>

Number of connections per position	1
Connection in acc. with standard	IEC / EN

Conductor connection

Conductor cross-section	0.5 mm ² ... 2.5 mm ²
Connection cross section AWG	20 ... 14
Tightening torque	0.7 Nm ... 1 Nm (PE connection)
	0.5 Nm ... 0.8 Nm (Mounting screws for mounting in the HEAVYCON housing)
	0.5 Nm
Stripping length of the individual wire	7 mm

Electrical properties

Rated voltage (III/2) contacts	400 V
Rated voltage (III/3)	250 V
Rated surge voltage	4 kV
Rated surge voltage (III/2)	4 kV
Rated surge voltage (III/3)	4 kV
Rated surge voltage	4 kV
Rated current	16 A
SCCR	5 kA (UL 2237)

Mechanical properties

Mechanical data

Insertion/withdrawal cycles	≥ 500
-----------------------------	-------

Material specifications

Flammability rating according to UL 94	V0
Contact material	Copper alloy
Contact surface material	Ag
Contact carrier material	PC
Standards/regulations	PC

Environmental and real-life conditions

Ambient conditions

Ambient temperature (operation)	-40 °C ... 125 °C (including heating up of contacts)
---------------------------------	------------------------------------------------------

Standards and regulations

Testing

Standards/regulations	PC: Fire protection in rail vehicles - requirement sets R22, R23, and R24 acc. to DIN EN 45545-2 (Risk level HL1 - HL3)
-----------------------	-------------------------------------------------------------------------------------------------------------------------

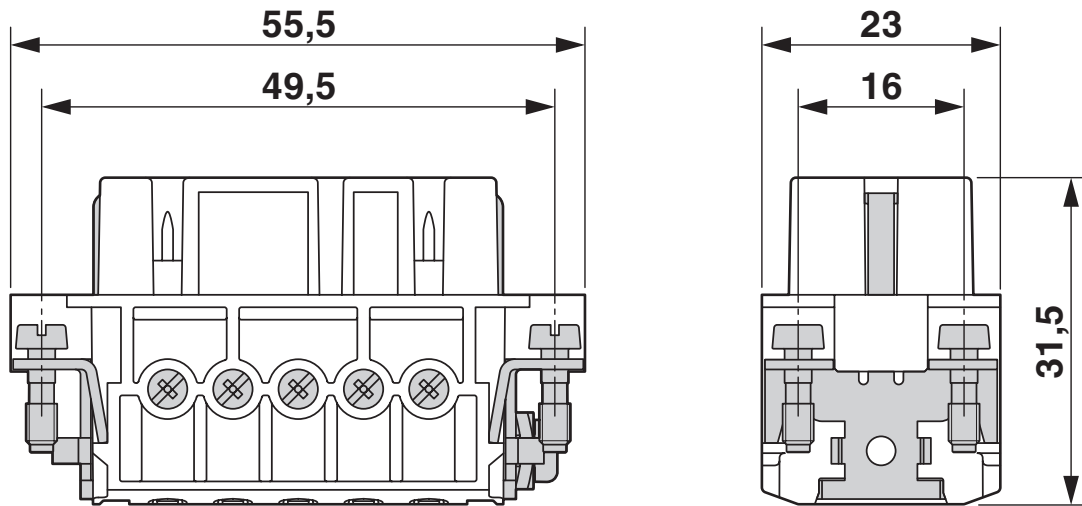
HC-A10-I-UT-F - Contact insert

1585304

<https://www.phoenixcontact.com/us/products/1585304>

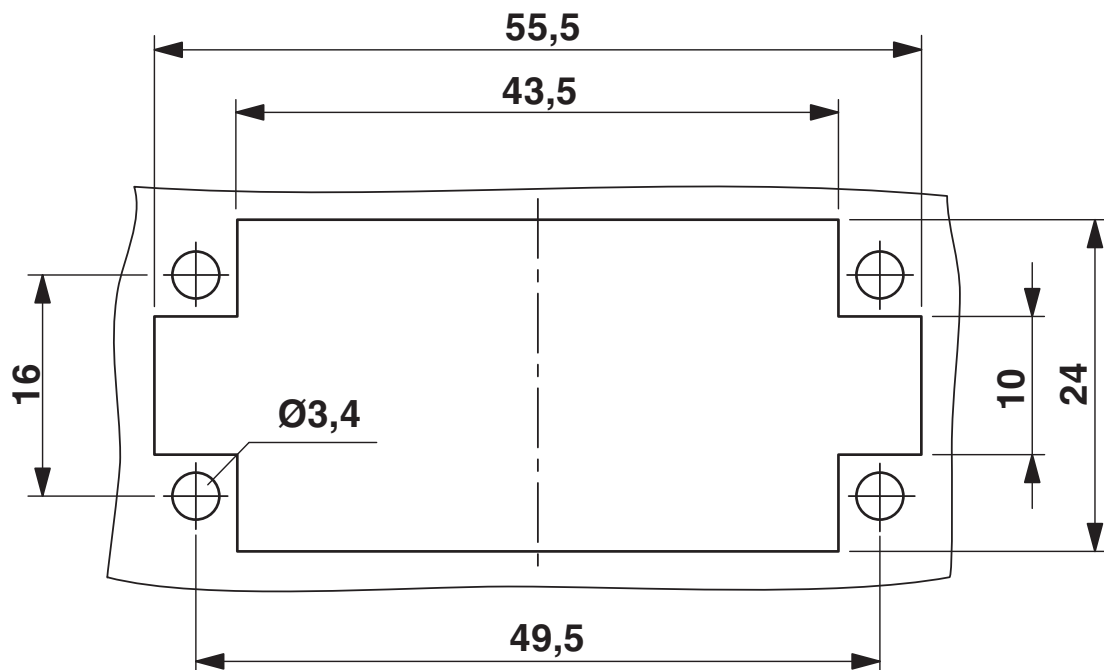
Drawings

Dimensional drawing



Female insert

Dimensional drawing



Mounting cutout when used without housing

HC-A10-I-UT-F - Contact insert

1585304

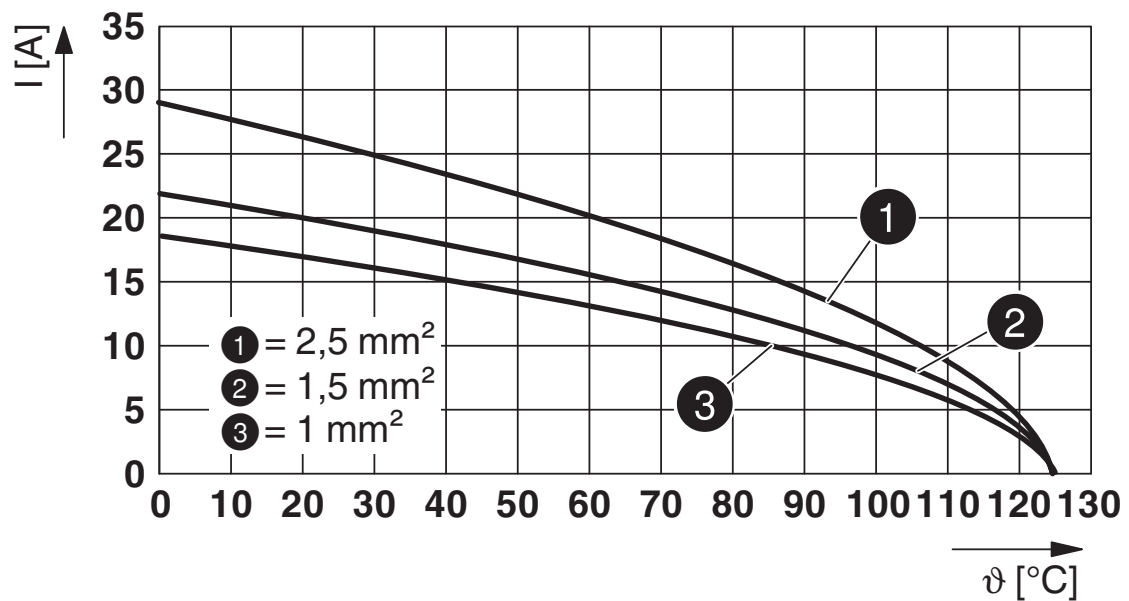
<https://www.phoenixcontact.com/us/products/1585304>

Schematic diagram



Pin assignment, connection side, pin left, socket right

Diagram



Derating diagram

HC-A10-I-UT-F - Contact insert



1585304

<https://www.phoenixcontact.com/us/products/1585304>

Approvals

To download certificates, visit the product detail page: <https://www.phoenixcontact.com/us/products/1585304>

DNV

Approval ID: TAE000037S



CSA

Approval ID: 158887

	Nominal voltage U_N	Nominal current I_N	Cross section AWG	Cross section mm^2
keine				
	600 V	15 A	- 14	-



UL Recognized

Approval ID: E118976

	Nominal voltage U_N	Nominal current I_N	Cross section AWG	Cross section mm^2
keine				
	600 V	19 A	-	-



UL Recognized

Approval ID: E468743

	Nominal voltage U_N	Nominal current I_N	Cross section AWG	Cross section mm^2
keine				
	600 V	18 A	-	-

HC-A10-I-UT-F - Contact insert



1585304

<https://www.phoenixcontact.com/us/products/1585304>

Classifications

ECLASS

ECLASS-13.0	27440205
ECLASS-15.0	27440205

ETIM

ETIM 10.0	EC000438
-----------	----------

UNSPSC

UNSPSC 21.0	39121500
-------------	----------

HC-A10-I-UT-F - Contact insert



1585304

<https://www.phoenixcontact.com/us/products/1585304>

Environmental product compliance

EU RoHS

Fulfills EU RoHS substance requirements	Yes
Exemption	6(c)

China RoHS

Environment friendly use period (EFUP)	EFUP-50
	An article-related China RoHS declaration table can be found in the download area for the respective article under "Manufacturer declaration". For all articles with EFUP-E, no China RoHS declaration table issued and required.

EU REACH SVHC

REACH candidate substance (CAS No.)	Lead(CAS: 7439-92-1)
SCIP	bd8b2933-9366-4b89-9b8f-787c8e3d83b1

Phoenix Contact 2026 © - all rights reserved

<https://www.phoenixcontact.com>

Phoenix Contact USA
586 Fulling Mill Road
Middletown, PA 17057, United States
(+717) 944-1300
info@phoenixcon.com