

# QPD CW 4X2,5/2X9-14 GY - Conductor connector



1582527

<https://www.phoenixcontact.com/us/products/1582527>

Please be informed that the data shown in this PDF document is generated from our online catalog. Please find the complete data in the user documentation. Our general terms of use for downloads are valid.



Cable connector panel feed-through, two-sided with QPD nut, gray, 4-pos. without PE, 1.0 mm<sup>2</sup> .. 2.5 mm<sup>2</sup>/630 V/20 A, for cable diameters of 9 mm ... 14 mm.

## Your advantages

- Innovative and time saving - QUICKON fast connection for time saving of up to 80 % for on-site connection
- Robust throughout: housing with IP68/IP69K and IK07 protection for a wide range of applications
- Safer connection with mechanical coding to protect against mismatching, and touch-proof protection in accordance with DIN EN 0105
- Easy and safe - with the cable connector, you can repair or extend cables quickly, in combination with the connector as well as the coupling connection

## Commercial data

Item number	1582527
Packing unit	1 pc
Note	Made to order (non-returnable)
Sales key	BF50
Product key	AF6CBB
GTIN	4046356552134
Weight per piece (including packing)	73.9 g
Weight per piece (excluding packing)	73.9 g
Customs tariff number	85366990
Country of origin	DE

# QPD CW 4X2,5/2X9-14 GY - Conductor connector



1582527

<https://www.phoenixcontact.com/us/products/1582527>

## Technical data

### Product properties

Product type	Panel feed-through
Product family	QPD
Type	QPD 4x2,5
Number of positions	4
Position marking	1, 2, 3, 4
Number of connections	10
Number of connections per position	1
Coding	Coding profile

### Insulation characteristics

Overvoltage category	III
Degree of pollution	3

### Connection data

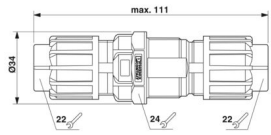
#### Connection technology

Connection method On the device side	IDC connection
Frequency of connections between conductors of the same cross section	max. 10

#### Conductor connection

Conductor cross-section flexibel	1 mm <sup>2</sup> ... 2.5 mm <sup>2</sup>
Conductor cross-section solid	1 mm <sup>2</sup> ... 2.5 mm <sup>2</sup>
Connection cross section AWG	16 ... 14
Tightening torque Union nut	10 Nm
Tightening torque Locking nut	5 Nm
Wrench size Union nut	22 mm
Wrench size Locking nut	27 mm

### Dimensions

Dimensional drawing	
Width	34 mm
Height	34 mm
Length	111 mm
Diameter	34 mm

### Electrical properties

Rated surge voltage (II/2)	8 kV
----------------------------	------

# QPD CW 4X2,5/2X9-14 GY - Conductor connector



1582527

<https://www.phoenixcontact.com/us/products/1582527>

Rated surge voltage (III/2)	8 kV
Rated surge voltage (III/3)	6 kV
Rated current	20 A
Contact resistance	< 3 mΩ
rated voltage (II/2)	1000 V
rated voltage (III/2)	1000 V
Rated voltage (III/3)	630 V
Nominal voltage $U_N$	690 V
Nominal current $I_N$	20 A

## Mechanical properties

### Mechanical data

Insertion/withdrawal cycles	max. 50
-----------------------------	---------

## Material specifications

Material Housing	PA
Material Contact	CuZn
Material Contact surface	tin-plated
Flammability rating according to UL 94	V0
Material wire insulation	PVC/PE/TPE/rubber

## Cable/line

Structure of individual litz in acc. with VDE 0295 / smallest wire diameter	VDE 0295 class 1 to 6/min. 0.15 mm
External cable diameter	6 mm ... 10 mm (Order Quickon nuts or Quickon connectors separately)
Wire diameter including insulation	2 mm ... 3.8 mm
Position marking	1, 2, 3, 4
Material wire insulation	PVC/PE/TPE/rubber
Halogen-free	no

## Environmental and real-life conditions

### Ambient conditions

Degree of protection	IP66
	IP68 (2 m / 24 h)
	IP69K
Impact strength	IK07
Ambient temperature (operation)	-40 °C ... 100 °C
Temperature when conductor connected	-5 °C ... 50 °C
Ambient temperature (storage/transport)	-40 °C ... 100 °C

# QPD CW 4X2,5/2X9-14 GY - Conductor connector

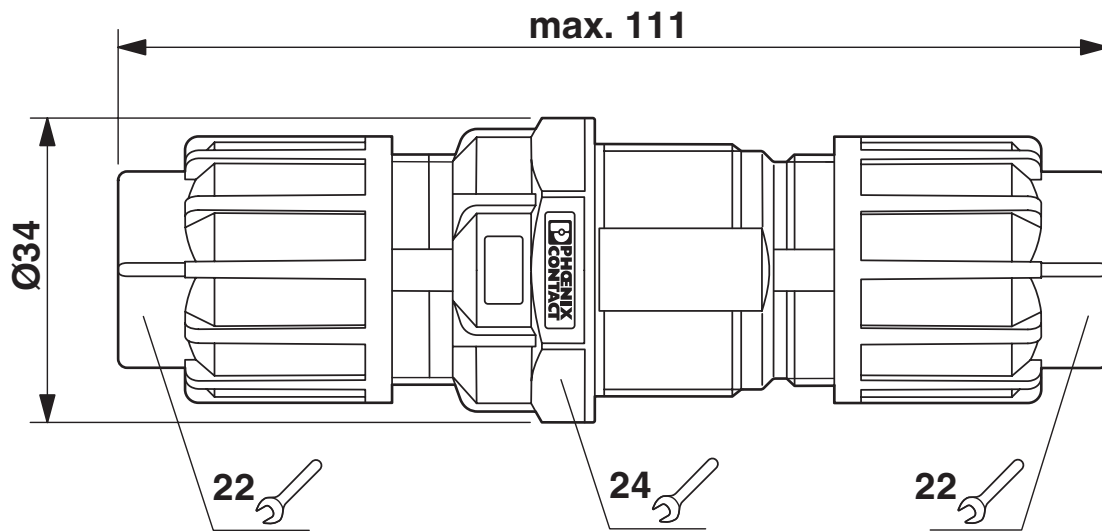


1582527

<https://www.phoenixcontact.com/us/products/1582527>

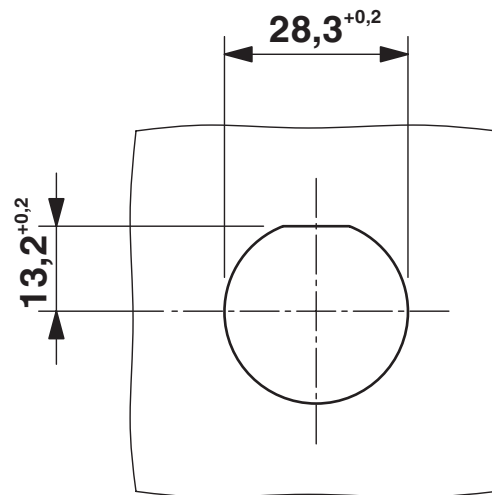
## Drawings

Dimensional drawing



Dimensional drawing

Dimensional drawing



Panel cutout

# QPD CW 4X2,5/2X9-14 GY - Conductor connector



1582527

<https://www.phoenixcontact.com/us/products/1582527>

## Classifications

### ECLASS

ECLASS-13.0	27440605
ECLASS-15.0	27440605

### UNSPSC

UNSPSC 21.0	39121402
-------------	----------

# QPD CW 4X2,5/2X9-14 GY - Conductor connector



1582527

<https://www.phoenixcontact.com/us/products/1582527>

## Environmental product compliance

### EU RoHS

Fulfills EU RoHS substance requirements	Yes, No exemptions
---	--------------------

### China RoHS

Environment friendly use period (EFUP)	EFUP-E
	No hazardous substances above the limits

### EU REACH SVHC

REACH candidate substance (CAS No.)	No substance above 0.1 wt%
-------------------------------------	----------------------------

Phoenix Contact 2026 © - all rights reserved  
<https://www.phoenixcontact.com>

Phoenix Contact USA  
586 Fulling Mill Road  
Middletown, PA 17057, United States  
(+717) 944-1300  
[info@phoenixcon.com](mailto:info@phoenixcon.com)