

HC-K 6/0-ESTS - Contact insert



1580538

<https://www.phoenixcontact.com/us/products/1580538>

Please be informed that the data shown in this PDF document is generated from our online catalog. Please find the complete data in the user documentation. Our general terms of use for downloads are valid.



Contact insert, number of positions: 6+PE, size: B16, power contacts: 6, control contacts: 0, Pin, Screw connection, 1000 V, 80 A, 6 mm² ... 16 mm², application: Power

Your advantages

- Shock and vibration-resistant in accordance with DIN EN 61373

Commercial data

| | |
|--------------------------------------|---------------|
| Item number | 1580538 |
| Packing unit | 10 pc |
| Minimum order quantity | 1 pc |
| Sales key | BF61 |
| Product key | AF7ABA |
| GTIN | 4046356463348 |
| Weight per piece (including packing) | 151.4 g |
| Weight per piece (excluding packing) | 151.4 g |
| Customs tariff number | 85366990 |
| Country of origin | DE |

HC-K 6/0-ESTS - Contact insert



1580538

<https://www.phoenixcontact.com/us/products/1580538>

Technical data

Mounting

| | |
|---------------|-------------------------------------------------------------------------------------------|
| Assembly note | To ensure correct use, installation in housing with IP54 protection or better is required |
| | For housing type B16. |

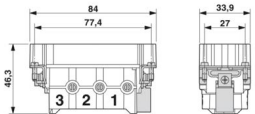
Product properties

| | |
|-------------------------|----------------------------------------------|
| Product type | Contact insert with a fixed no. of positions |
| Series | HC-K |
| Application | Power |
| Type | B16 B32 |
| Number of positions | 6 |
| Connection profile | 6+PE |
| Contact numbering | 1 - 6 |
| No. of power contacts | 6 |
| No. of control contacts | 0 |
| Contact material type | turned |

Insulation characteristics

| | |
|----------------------|-----|
| Overvoltage category | III |
| Degree of pollution | 3 |

Dimensions

| | |
|---------------------------------|--------------------------------------------------------------------------------------|
| Dimensional drawing |  |
| Width | 33.9 mm |
| Height | 46.3 mm |
| Length | 84 mm |
| Drill hole distance, horizontal | 77.4 mm |

Mechanical characteristics

| | |
|------------------|------|
| Contact diameter | 6 mm |
|------------------|------|

Connection data

Connection technology

| | |
|----------------------------------|--------------------------------------------|
| Connection technology | Screw connection (without wire protection) |
| Connection in acc. with standard | IEC / EN |

Conductor connection

HC-K 6/0-ESTS - Contact insert



1580538

<https://www.phoenixcontact.com/us/products/1580538>

| | |
|-----------------------------------------|--------------------------------------------------------------------------|
| Conductor cross-section | 6 mm ² ... 16 mm ² (without ferrule) |
| | 2.5 mm ² ... 16 mm ² (with ferrule) |
| Connection cross section AWG | 10 ... 6 |
| Tightening torque | 0.8 Nm ... 1.2 Nm (PE connection) |
| | 0.5 Nm ... 0.8 Nm (Mounting screws for mounting in the HEAVYCON housing) |
| | 1.8 Nm |
| Stripping length of the individual wire | 15 mm |

Electrical properties

| | |
|-----------------------|--------|
| Rated voltage (III/3) | 1000 V |
| Rated surge voltage | 8 kV |
| | 8 kV |
| Rated current | 80 A |

Mechanical properties

Mechanical data

| | |
|-----------------------------|-------|
| Insertion/withdrawal cycles | ≥ 500 |
|-----------------------------|-------|

Material specifications

| | |
|--------------------------------------------|--------------|
| Flammability rating according to UL 94 | V0 |
| Contact material | Copper alloy |
| Contact surface material | Ag |
| Contact carrier material | PA |
| Material of contact surface, power contact | Ag |
| Standards/regulations | PA |

Environmental and real-life conditions

Ambient conditions

| | |
|---------------------------------|------------------------------------------------------|
| Ambient temperature (operation) | -40 °C ... 125 °C (including heating up of contacts) |
|---------------------------------|------------------------------------------------------|

Standards and regulations

| | |
|----------------------------------------|----------------------------|
| Constructional and testing regulations | DIN EN 61984 |
| | DIN VDE 0110/02.79 |
| | DIN VDE 0110-1/04.97 |
| | IEC 60664-1, DIN IEC 60512 |
| Tests | DIN EN 61984 |
| | DIN VDE 0110/02.79 |
| | DIN VDE 0110-1/04.97 |
| | IEC 60664-1, DIN IEC 60512 |

Testing

| | |
|-----------------------|-------------------------------------------------------------------------------------------------------------------------|
| Standards/regulations | PA: Fire protection in rail vehicles - requirement sets R22, R23, and R24 acc. to DIN EN 45545-2 (Risk level HL1 - HL3) |
|-----------------------|-------------------------------------------------------------------------------------------------------------------------|

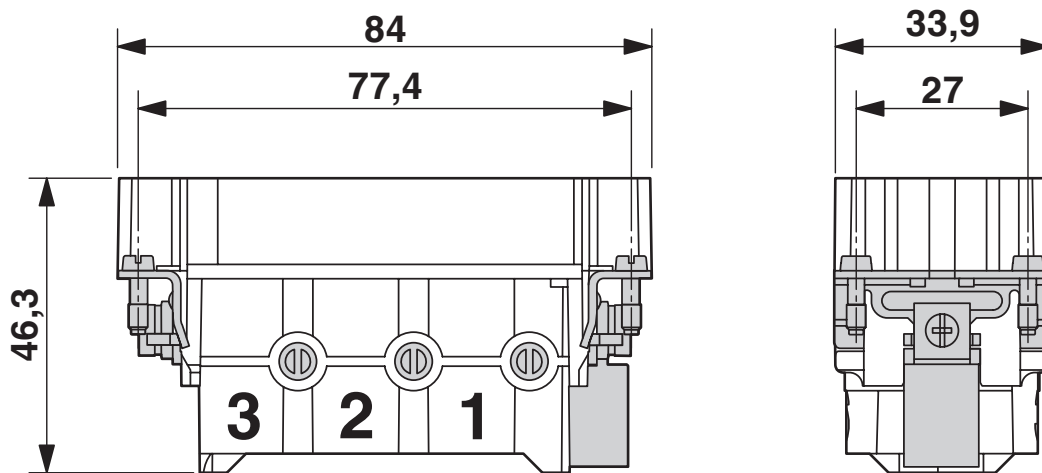
HC-K 6/0-ESTS - Contact insert

1580538

<https://www.phoenixcontact.com/us/products/1580538>

Drawings

Dimensional drawing



Dimensional drawing

Dimensional drawing



Mounting cutout when used without housing

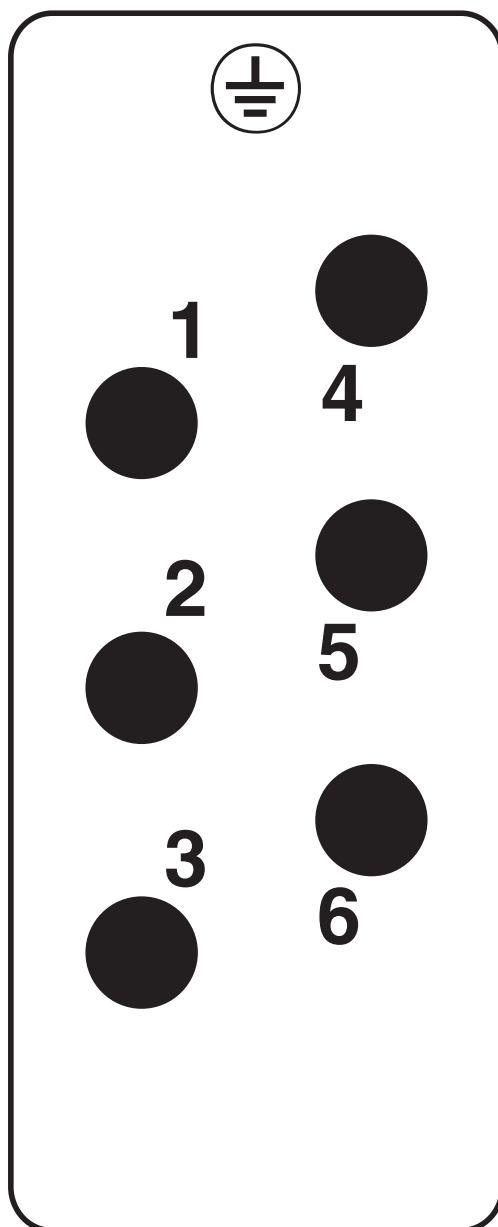
HC-K 6/0-ESTS - Contact insert

1580538

<https://www.phoenixcontact.com/us/products/1580538>



Schematic diagram



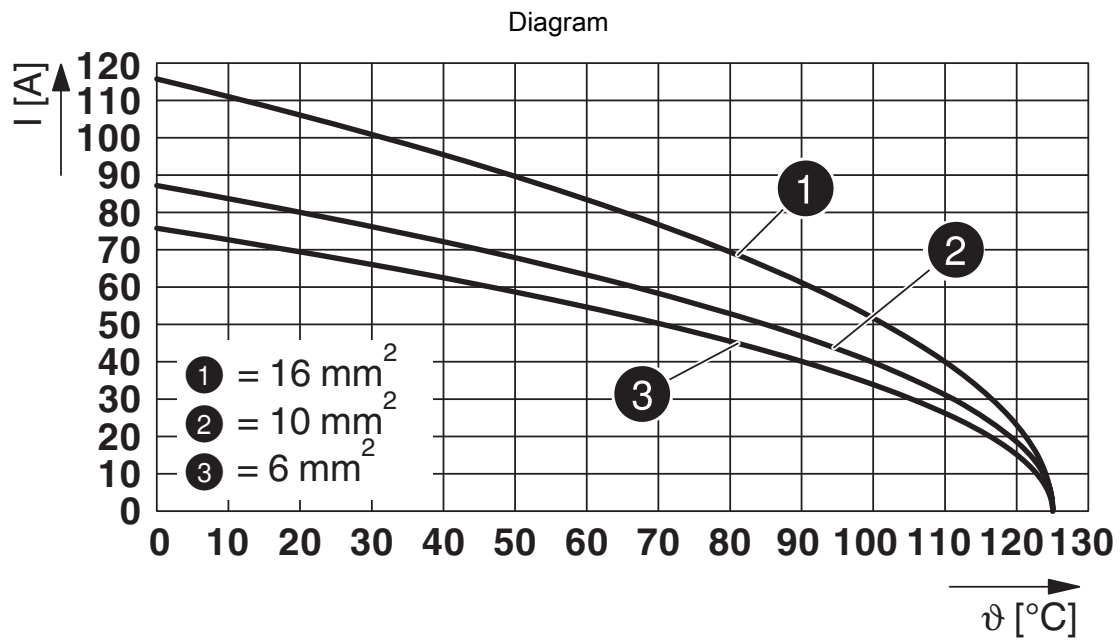
Connector pin assignment, connection side

HC-K 6/0-ESTS - Contact insert



1580538

<https://www.phoenixcontact.com/us/products/1580538>



Derating diagram

HC-K 6/0-ESTS - Contact insert



1580538

<https://www.phoenixcontact.com/us/products/1580538>

Approvals

To download certificates, visit the product detail page: <https://www.phoenixcontact.com/us/products/1580538>

DNV

Approval ID: TAE000037S



CSA

Approval ID: 013631_0_000

| | Nominal voltage U_N | Nominal current I_N | Cross section AWG | Cross section mm^2 |
|-------|-----------------------|-----------------------|-------------------|-----------------------------|
| keine | | | | |
| | 600 V | 60 A | 10 - 6 | - |



UL Recognized

Approval ID: E118976

| | Nominal voltage U_N | Nominal current I_N | Cross section AWG | Cross section mm^2 |
|-------|-----------------------|-----------------------|-------------------|-----------------------------|
| keine | | | | |
| | 600 V | 80 A | - 6 | - |



UL Recognized

Approval ID: E468743

| | Nominal voltage U_N | Nominal current I_N | Cross section AWG | Cross section mm^2 |
|-------|-----------------------|-----------------------|-------------------|-----------------------------|
| keine | | | | |
| | 600 V | 80 A | - | - |

HC-K 6/0-ESTS - Contact insert



1580538

<https://www.phoenixcontact.com/us/products/1580538>

Classifications

ECLASS

| | |
|-------------|----------|
| ECLASS-13.0 | 27440205 |
| ECLASS-15.0 | 27440205 |

ETIM

| | |
|-----------|----------|
| ETIM 10.0 | EC000438 |
|-----------|----------|

UNSPSC

| | |
|-------------|----------|
| UNSPSC 21.0 | 39121500 |
|-------------|----------|

HC-K 6/0-ESTS - Contact insert



1580538

<https://www.phoenixcontact.com/us/products/1580538>

Environmental product compliance

EU RoHS

| | |
|-----------------------------------------|--------------------|
| Fulfills EU RoHS substance requirements | Yes, No exemptions |
|-----------------------------------------|--------------------|

China RoHS

| | |
|----------------------------------------|------------------------------------------|
| Environment friendly use period (EFUP) | EFUP-E |
| | No hazardous substances above the limits |

EU REACH SVHC

| | |
|-------------------------------------|----------------------------|
| REACH candidate substance (CAS No.) | No substance above 0.1 wt% |
|-------------------------------------|----------------------------|

Phoenix Contact 2026 © - all rights reserved
<https://www.phoenixcontact.com>

Phoenix Contact USA
586 Fulling Mill Road
Middletown, PA 17057, United States
(+717) 944-1300
info@phoenixcon.com