

# HC-K 6/0-EBUS - Contact insert



1580537

<https://www.phoenixcontact.com/us/products/1580537>

Please be informed that the data shown in this PDF document is generated from our online catalog. Please find the complete data in the user documentation. Our general terms of use for downloads are valid.



Contact insert, number of positions: 6+PE, size: B16, power contacts: 6, control contacts: 0, Socket, Screw connection, 1000 V, 80 A, 6 mm<sup>2</sup> ... 16 mm<sup>2</sup>, application: Power

## Your advantages

- Shock and vibration-resistant in accordance with DIN EN 61373

## Commercial data

Item number	1580537
Packing unit	10 pc
Minimum order quantity	1 pc
Sales key	BF61
Product key	AF7ABA
GTIN	4046356463331
Weight per piece (including packing)	147.98 g
Weight per piece (excluding packing)	147.98 g
Customs tariff number	85366990
Country of origin	DE

# HC-K 6/0-EBUS - Contact insert



1580537

<https://www.phoenixcontact.com/us/products/1580537>

## Technical data

### Mounting

Assembly note	To ensure correct use, installation in housing with IP54 protection or better is required
	For housing type B16.

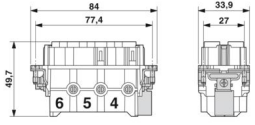
### Product properties

Product type	Contact insert with a fixed no. of positions
Series	HC-K
Application	Power
Type	B16 B32
Number of positions	6
Connection profile	6+PE
Contact numbering	1 - 6
No. of power contacts	6
No. of control contacts	0
Contact material type	turned

### Insulation characteristics

Overvoltage category	III
Degree of pollution	3

### Dimensions

Dimensional drawing	
Width	33.9 mm
Height	49.7 mm
Length	84 mm
Drill hole distance, horizontal	77.4 mm

### Mechanical characteristics

Contact diameter	6 mm
------------------	------

### Connection data

#### Connection technology

Connection technology	Screw connection (without wire protection)
Connection in acc. with standard	IEC / EN

#### Conductor connection

# HC-K 6/0-EBUS - Contact insert



1580537

<https://www.phoenixcontact.com/us/products/1580537>

Conductor cross-section	6 mm <sup>2</sup> ... 16 mm <sup>2</sup> (without ferrule)
	2.5 mm <sup>2</sup> ... 16 mm <sup>2</sup> (with ferrule)
Connection cross section AWG	10 ... 6
Tightening torque	0.8 Nm ... 1.2 Nm (PE connection)
	0.5 Nm ... 0.8 Nm (Mounting screws for mounting in the HEAVYCON housing)
	1.8 Nm
Stripping length of the individual wire	15 mm

## Electrical properties

Rated voltage (III/3)	1000 V
Rated surge voltage	8 kV
	8 kV
Rated current	80 A

## Mechanical properties

### Mechanical data

Insertion/withdrawal cycles	≥ 500
-----------------------------	-------

## Material specifications

Flammability rating according to UL 94	V0
Contact material	Copper alloy
Contact surface material	Ag
Contact carrier material	PA
Material of contact surface, power contact	Ag
Standards/regulations	PA

## Environmental and real-life conditions

### Ambient conditions

Ambient temperature (operation)	-40 °C ... 125 °C (including heating up of contacts)
---------------------------------	--

## Standards and regulations

Constructional and testing regulations	DIN VDE 0627/86
	DIN VDE 0110/02.79
	DIN VDE 0110-1/04.97
	IEC 60664-1, DIN IEC 60512
Tests	DIN VDE 0627/86
	DIN VDE 0110/02.79
	DIN VDE 0110-1/04.97
	IEC 60664-1, DIN IEC 60512

### Testing

Standards/regulations	PA: Fire protection in rail vehicles - requirement sets R22, R23, and R24 acc. to DIN EN 45545-2 (Risk level HL1 - HL3)
-----------------------	---

# HC-K 6/0-EBUS - Contact insert

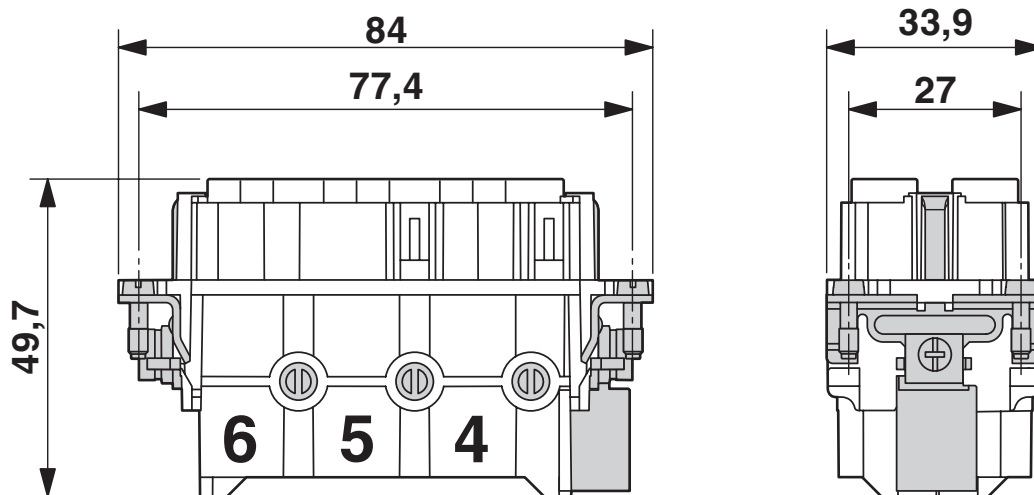


1580537

<https://www.phoenixcontact.com/us/products/1580537>

## Drawings

Dimensional drawing



Dimensional drawing

Dimensional drawing



Mounting cutout when used without housing

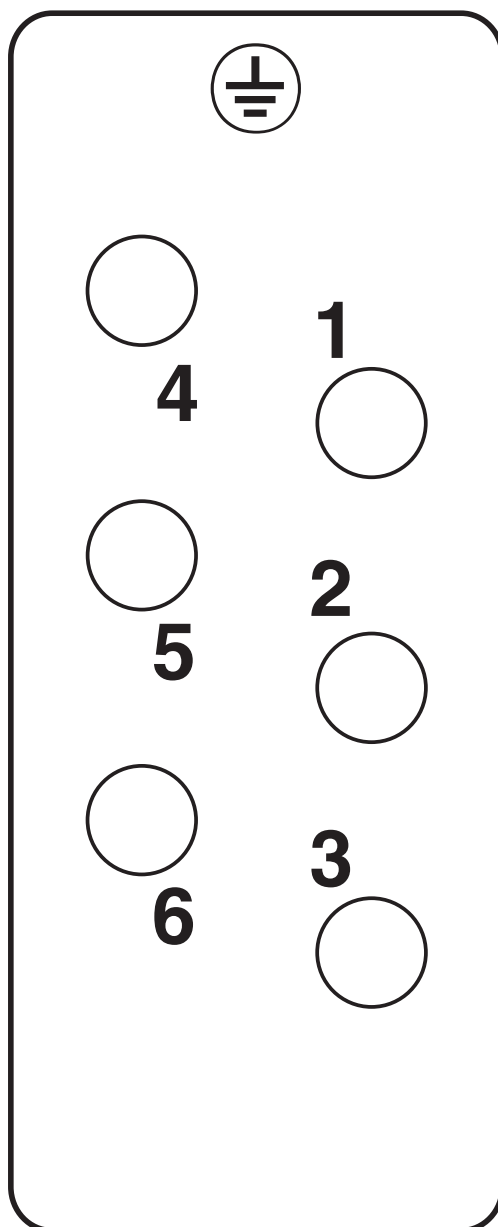
# HC-K 6/0-EBUS - Contact insert

1580537

<https://www.phoenixcontact.com/us/products/1580537>



Schematic diagram



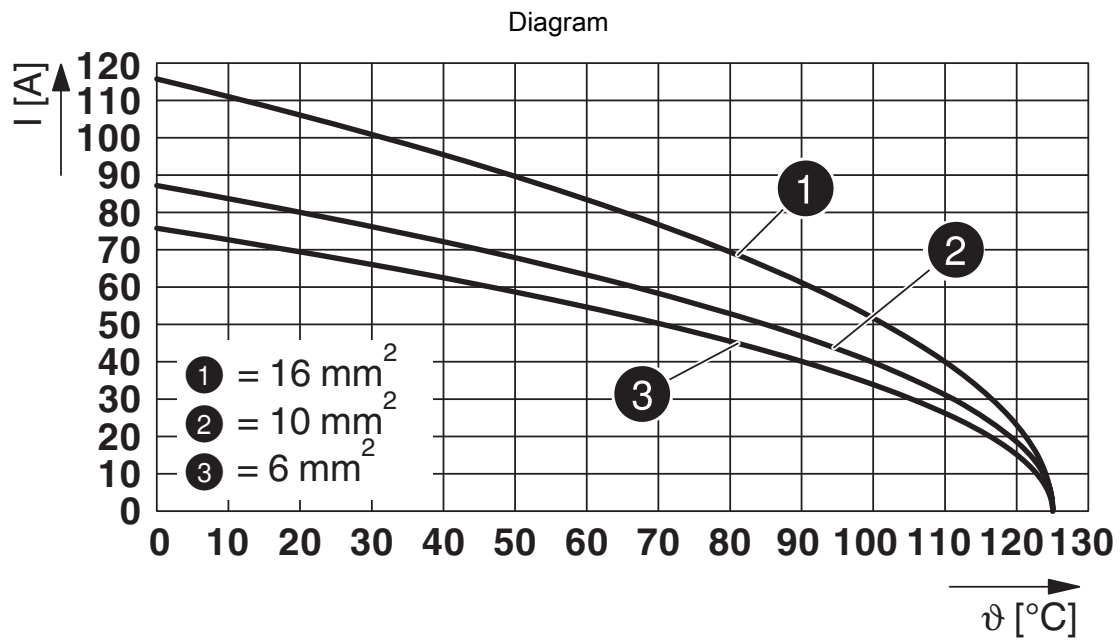
Connector pin assignment, connection side

# HC-K 6/0-EBUS - Contact insert



1580537

<https://www.phoenixcontact.com/us/products/1580537>



Derating diagram

# HC-K 6/0-EBUS - Contact insert



1580537

<https://www.phoenixcontact.com/us/products/1580537>

## Approvals

To download certificates, visit the product detail page: <https://www.phoenixcontact.com/us/products/1580537>

### DNV

Approval ID: TAE000037S



### CSA

Approval ID: 013631\_0\_000

	Nominal voltage $U_N$	Nominal current $I_N$	Cross section AWG	Cross section $\text{mm}^2$
keine				
	600 V	60 A	10 - 6	-



### UL Recognized

Approval ID: E118976

	Nominal voltage $U_N$	Nominal current $I_N$	Cross section AWG	Cross section $\text{mm}^2$
keine				
	600 V	80 A	- 6	-



### UL Recognized

Approval ID: E468743

	Nominal voltage $U_N$	Nominal current $I_N$	Cross section AWG	Cross section $\text{mm}^2$
keine				
	600 V	80 A	-	-

# HC-K 6/0-EBUS - Contact insert



1580537

<https://www.phoenixcontact.com/us/products/1580537>

## Classifications

### ECLASS

ECLASS-13.0	27440205
ECLASS-15.0	27440205

### ETIM

ETIM 10.0	EC000438
-----------	----------

### UNSPSC

UNSPSC 21.0	39121500
-------------	----------

# HC-K 6/0-EBUS - Contact insert



1580537

<https://www.phoenixcontact.com/us/products/1580537>

## Environmental product compliance

### EU RoHS

Fulfills EU RoHS substance requirements	Yes, No exemptions
---	--------------------

### China RoHS

Environment friendly use period (EFUP)	EFUP-E
	No hazardous substances above the limits

### EU REACH SVHC

REACH candidate substance (CAS No.)	No substance above 0.1 wt%
-------------------------------------	----------------------------

Phoenix Contact 2026 © - all rights reserved  
<https://www.phoenixcontact.com>

Phoenix Contact USA  
586 Fulling Mill Road  
Middletown, PA 17057, United States  
(+717) 944-1300  
[info@phoenixcon.com](mailto:info@phoenixcon.com)