

# SAC-4P-M 8Y/2XM 8FS VP - Y distributor



1572443

<https://www.phoenixcontact.com/us/products/1572443>

Please be informed that the data shown in this PDF document is generated from our online catalog. Please find the complete data in the user documentation. Our general terms of use for downloads are valid.



Y distributor, 4-position, unshielded, Plug straight M8, coding: A, on Socket straight M8, coding: A and Socket straight M8, coding: A, Parallel distributor

## Commercial data

|                                      |               |
|--------------------------------------|---------------|
| Item number                          | 1572443       |
| Packing unit                         | 5 pc          |
| Minimum order quantity               | 1 pc          |
| Sales key                            | BF10          |
| Product key                          | AF1GAB        |
| GTIN                                 | 4046356410892 |
| Weight per piece (including packing) | 10.97 g       |
| Weight per piece (excluding packing) | 10.58 g       |
| Customs tariff number                | 85366990      |
| Country of origin                    | PL            |

# SAC-4P-M 8Y/2XM 8FS VP - Y distributor

1572443

<https://www.phoenixcontact.com/us/products/1572443>

## Technical data

### Product properties

|                      |               |
|----------------------|---------------|
| Product type         | Y-distributor |
| Number of positions  | 4             |
| No. of cable outlets | 2             |
| Shielded             | no            |
| Coding               | A             |
| Thread type          | M8            |

### Insulation characteristics

|                      |    |
|----------------------|----|
| Overvoltage category | II |
| Degree of pollution  | 3  |

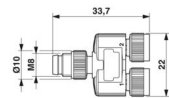
### Electrical properties

|                       |                           |
|-----------------------|---------------------------|
| Insulation resistance | $\geq 10 \text{ G}\Omega$ |
| Nominal voltage $U_N$ | 30 V AC                   |
|                       | 30 V DC                   |
| Nominal current $I_N$ | 4 A                       |

### Signaling

|                        |    |
|------------------------|----|
| Status display         | no |
| Status display present | no |

### Dimensions

|                     |  |
|---------------------|--|
| Dimensional drawing |  |
| Width               | 22 mm  |
| Height              | 10 mm  |
| Length              | 33.7 mm  |
| Center distance     | 12 mm  |

### Material specifications

|  |   |
|--|---|
| Flammability rating according to UL 94 | HB  |
| Seal material                          | NBR   |
| Material of grip body                  | TPU, hardly inflammable, self-extinguishing |
| Contact material                       | CuZn  |
| Contact surface material               | Ni/Au                                       |
| Contact carrier material               | TPU GF                                      |
| Material for screw connection          | Zinc die-cast, nickel-plated                |

# SAC-4P-M 8Y/2XM 8FS VP - Y distributor



1572443

<https://www.phoenixcontact.com/us/products/1572443>

## Connector

### Connection 1

|             |                  |
|-------------|------------------|
| Type        | Plug straight M8 |
| Coding type | A                |

### Connection 2

|             |                    |
|-------------|--------------------|
| Type        | Socket straight M8 |
| Coding type | A                  |

### Connection 3

|             |                    |
|-------------|--------------------|
| Type        | Socket straight M8 |
| Coding type | A                  |

## Mechanical properties

### Mechanical data

|                             |       |
|-----------------------------|-------|
| Insertion/withdrawal cycles | ≥ 100 |
|-----------------------------|-------|

## Environmental and real-life conditions

### Ambient conditions

|   |                                  |
|---|----------------------------------|
| Degree of protection  | IP65                             |
|   | IP67                             |
| Ambient temperature (operation) (male connector/female connector) | -25 °C ... 90 °C (Plug / socket) |

## Standards and regulations

|                          |                 |
|--------------------------|-----------------|
| Standard designation     | M8 connector    |
| Standards/specifications | IEC 61076-2-104 |
| Standard designation     | M8 connector    |
| Standards/specifications | IEC 61076-2-104 |

# SAC-4P-M 8Y/2XM 8FS VP - Y distributor

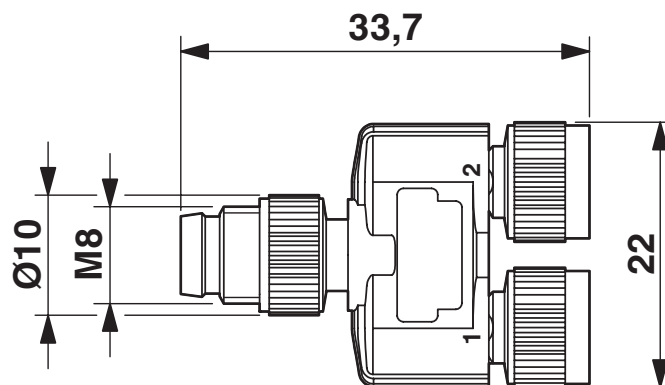
1572443

<https://www.phoenixcontact.com/us/products/1572443>



## Drawings

Dimensional drawing



M8 Y distributor

Schematic diagram



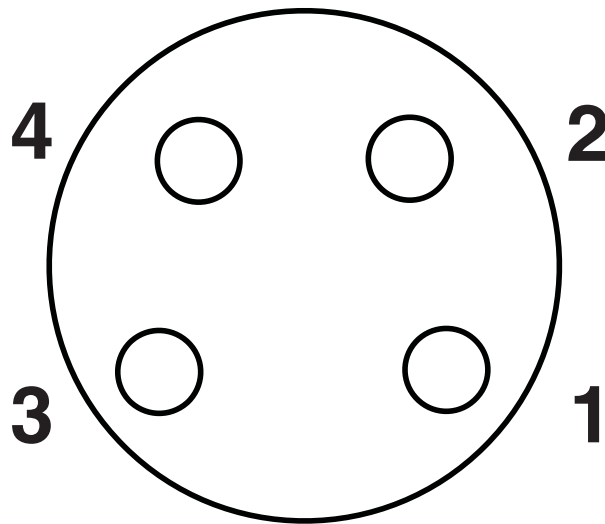
Pin assignment M8 plug, 4-pos., view male side

# SAC-4P-M 8Y/2XM 8FS VP - Y distributor

1572443

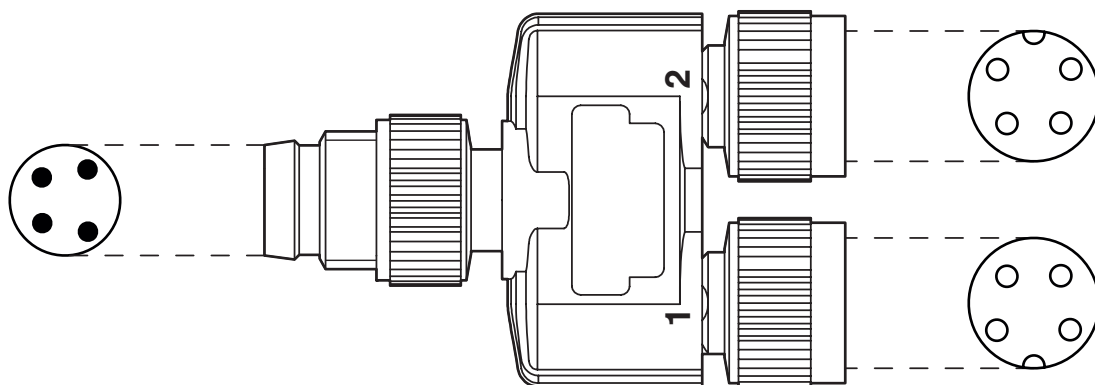
<https://www.phoenixcontact.com/us/products/1572443>

Schematic diagram



Pin assignment M8 socket, 4-pos., view female side

Schematic diagram



Layout of connector pin assignments

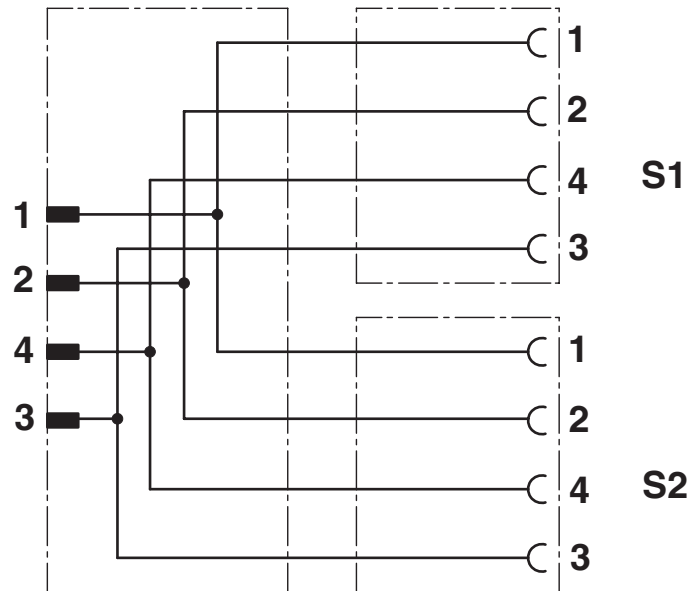
# SAC-4P-M 8Y/2XM 8FS VP - Y distributor

1572443

<https://www.phoenixcontact.com/us/products/1572443>



Circuit diagram



Contact assignment of the M8 Y distributor

# SAC-4P-M 8Y/2XM 8FS VP - Y distributor



1572443

<https://www.phoenixcontact.com/us/products/1572443>

## Classifications

### ECLASS

|             |          |
|-------------|----------|
| ECLASS-13.0 | 27440106 |
| ECLASS-15.0 | 27440106 |

### ETIM

|           |          |
|-----------|----------|
| ETIM 10.0 | EC002925 |
|-----------|----------|

### UNSPSC

|             |          |
|-------------|----------|
| UNSPSC 21.0 | 31251500 |
|-------------|----------|

# SAC-4P-M 8Y/2XM 8FS VP - Y distributor



1572443

<https://www.phoenixcontact.com/us/products/1572443>

## Environmental product compliance

### EU RoHS

|   |                    |
|---|--------------------|
| Fulfills EU RoHS substance requirements | Yes, No exemptions |
|---|--------------------|

### China RoHS

|  |  |
|--|--|
| Environment friendly use period (EFUP) | EFUP-E                                   |
|  | No hazardous substances above the limits |

### EU REACH SVHC

|                                     |                            |
|-------------------------------------|----------------------------|
| REACH candidate substance (CAS No.) | No substance above 0.1 wt% |
|-------------------------------------|----------------------------|

### EF3.1 Climate Change

|         |               |
|---------|---------------|
| CO2e kg | 1.125 kg CO2e |
|---------|---------------|

Phoenix Contact 2026 © - all rights reserved  
<https://www.phoenixcontact.com>

Phoenix Contact USA  
586 Fulling Mill Road  
Middletown, PA 17057, United States  
(+717) 944-1300  
[info@phoenixcon.com](mailto:info@phoenixcon.com)