

SACB-8/ 8-L- 2,0PUR M23FS BK - Distributor box



1572359

<https://www.phoenixcontact.com/us/products/1572359>

Please be informed that the data shown in this PDF document is generated from our online catalog. Please find the complete data in the user documentation. Our general terms of use for downloads are valid.



Distributor box, number of slots: 8, number of positions: 4, coding: A, slot assignment: single, status display: yes, PNP; master cable connection: Fixed connection 180°, PUR/PVC, cable length: 5 m, shielding: no

As shown in the illustration but with a black housing

Commercial data

Item number	1572359
Packing unit	50 pc
Minimum order quantity	50 pc
Note	Made to order (non-returnable)
Sales key	BF42
Product key	AF3CCA
GTIN	4046356466837
Weight per piece (including packing)	629.4 g
Weight per piece (excluding packing)	629.4 g
Customs tariff number	85444290
Country of origin	DE

SACB-8/ 8-L- 2,0PUR M23FS BK - Distributor box



1572359

<https://www.phoenixcontact.com/us/products/1572359>

Technical data

Product properties

Product type	Distributor box
Number of positions	4
Number of slots	8
Coding	A

System properties

Local diagnostics

Monitored function	Supply voltage
Optical representation	Green LED

Electrical properties

Max. operating voltage U_{max}	30 V DC
Local diagnostics	Supply voltage Green LED
	Status display I/O Yellow LED
Nominal voltage U_N	24 V DC
Rated current, total	12 A
Max. current carrying capacity per path	2 A
Current carrying capacity per slot	4 A

Connection data

Conductor connection

Tightening torque slot sensor/actuator cable	0.4 Nm
--	--------

Connection assignment

Slot/position = Wire color or connection	1 / 4 (A) = WH
	2 / 4 (A) = GN
	3 / 4 (A) = YE
	4 / 4 (A) = GY
	5 / 4 (A) = PK
	6 / 4 (A) = RD
	7 / 4 (A) = BK
	8 / 4 (A) = VT
	1-8 / 1 (+ 24 V) = BN
	1-8 / 3 (0 V) = BU
1-8 / 5 (PE) = GNYE	

Signaling

Status display present	yes
------------------------	-----

Material specifications

SACB-8/ 8-L- 2,0PUR M23FS BK - Distributor box



1572359

<https://www.phoenixcontact.com/us/products/1572359>

Material Threaded sleeve	Die-cast zinc
Material Housing	PBT
Material Molding compound	PUR
Flammability rating according to UL 94	V0
Seal material O-ring	NBR
Contact material	Cu alloy
Contact surface material	gold-plated
Contact carrier material	PA

Cable/line

Cable length	5 m
Cable type	Master cable suitable for flexible cable conduit
Connection method	Fixed connection
Outside diameter	9.2 mm
Conductor cross-section signal conductor	8x 0.34 mm ²
Conductor structure signal line	42x 0.10 mm
AWG signal line	22
Conductor structure, voltage supply	96x 0.10 mm
AWG power supply	19
Number of bending cycles	1500000
Traversing rate	2 m/s
Traversing path	2 m
Ambient temperature (operation)	-40 °C ... 90 °C (for fixed installation) -5 °C ... 80 °C (for flexible installation)

Environmental and real-life conditions

Ambient conditions

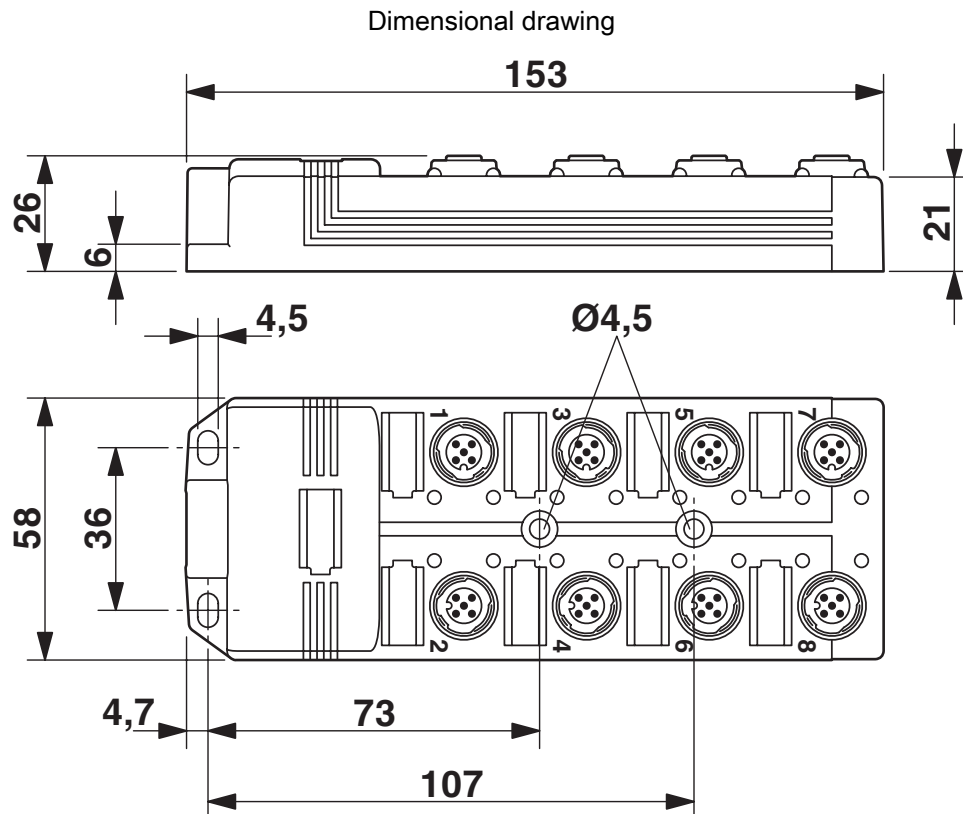
Degree of protection	IP65 IP67 IP69K
Ambient temperature (operation)	-30 °C ... 90 °C

SACB-8/ 8-L- 2,0PUR M23FS BK - Distributor box

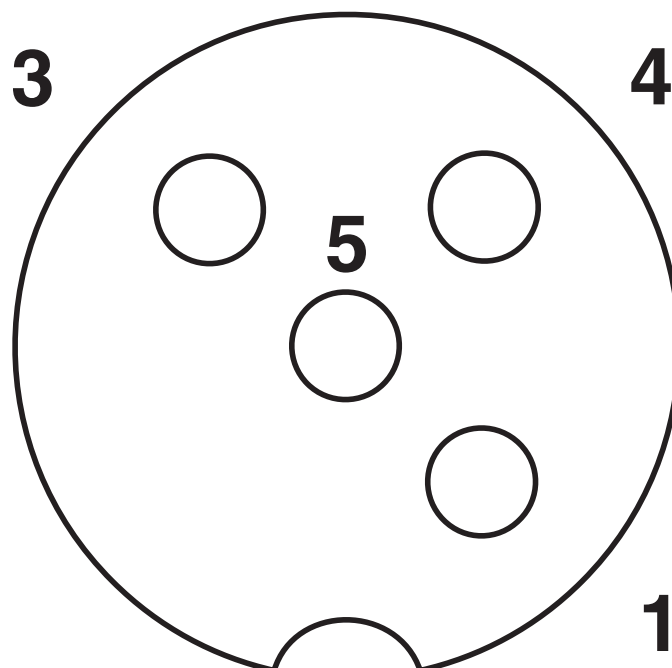
1572359

<https://www.phoenixcontact.com/us/products/1572359>

Drawings



Schematic diagram



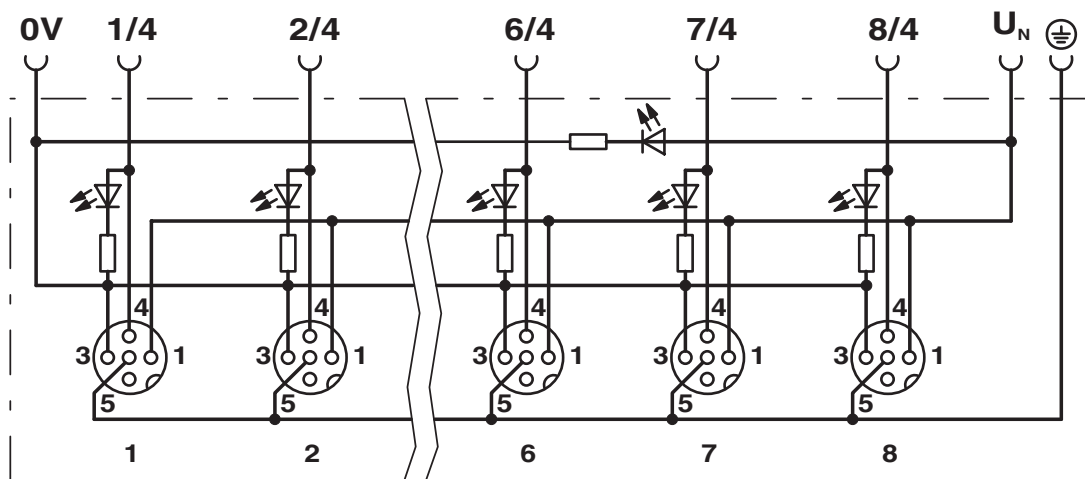
SACB-8/ 8-L- 2,0PUR M23FS BK - Distributor box



1572359

<https://www.phoenixcontact.com/us/products/1572359>

Circuit diagram



SACB-8/ 8-L- 2,0PUR M23FS BK - Distributor box



1572359

<https://www.phoenixcontact.com/us/products/1572359>

Classifications

ECLASS

ECLASS-13.0	27440108
ECLASS-15.0	27440108

1572359

<https://www.phoenixcontact.com/us/products/1572359>

Environmental product compliance

EU RoHS

Fulfills EU RoHS substance requirements	Yes, No exemptions
---	--------------------

China RoHS

Environment friendly use period (EFUP)	EFUP-50
	An article-related China RoHS declaration table can be found in the download area for the respective article under "Manufacturer declaration". For all articles with EFUP-E, no China RoHS declaration table issued and required.

EU REACH SVHC

REACH candidate substance (CAS No.)	No substance above 0.1 wt%
-------------------------------------	----------------------------

Phoenix Contact 2026 © - all rights reserved

<https://www.phoenixcontact.com>

Phoenix Contact USA
586 Fulling Mill Road
Middletown, PA 17057, United States
(+717) 944-1300
info@phoenixcon.com