

# SACB-8/ 8-L- 1,0PUR M23FS BK - Distributor box



1572346

<https://www.phoenixcontact.com/us/products/1572346>

Please be informed that the data shown in this PDF document is generated from our online catalog. Please find the complete data in the user documentation. Our general terms of use for downloads are valid.



Distributor box, number of slots: 8, number of positions: 4, coding: A, slot assignment: single, status display: yes, PNP 180°

As shown in the illustration but with a black housing

## Commercial data

Item number	1572346
Packing unit	50 pc
Minimum order quantity	50 pc
Note	Made to order (non-returnable)
Sales key	BF42
Product key	AF3CCA
GTIN	4046356479486
Weight per piece (including packing)	517 g
Weight per piece (excluding packing)	517 g
Customs tariff number	85444290
Country of origin	DE

# SACB-8/ 8-L- 1,0PUR M23FS BK - Distributor box



1572346

<https://www.phoenixcontact.com/us/products/1572346>

## Technical data

### Product properties

Product type	Distributor box
Number of positions	4
Number of slots	8
Coding	A

### System properties

#### Local diagnostics

Monitored function	Supply voltage
Optical representation	Green LED

### Electrical properties

Max. operating voltage $U_{max}$	30 V DC
Local diagnostics	Supply voltage Green LED
	Status display I/O Yellow LED
Nominal voltage $U_N$	24 V DC
Rated current, total	12 A
Max. current carrying capacity per path	2 A
Current carrying capacity per slot	4 A

### Connection data

#### Conductor connection

Tightening torque slot sensor/actuator cable	0.4 Nm
--	--------

### Signaling

Status display present	yes
------------------------	-----

### Dimensions

Dimensional drawing	
Width	58 mm
Height	26 mm
Length	153 mm

### Material specifications

Material Threaded sleeve	Die-cast zinc
Material Housing	PBT

# SACB-8/ 8-L- 1,0PUR M23FS BK - Distributor box



1572346

<https://www.phoenixcontact.com/us/products/1572346>

Material Molding compound	PUR
Flammability rating according to UL 94	V0
Seal material O-ring	NBR
Contact material	Cu alloy
Contact surface material	gold-plated
Contact carrier material	PA

## Environmental and real-life conditions

### Ambient conditions

Degree of protection	IP65
	IP67
	IP69K
Ambient temperature (operation)	-30 °C ... 90 °C

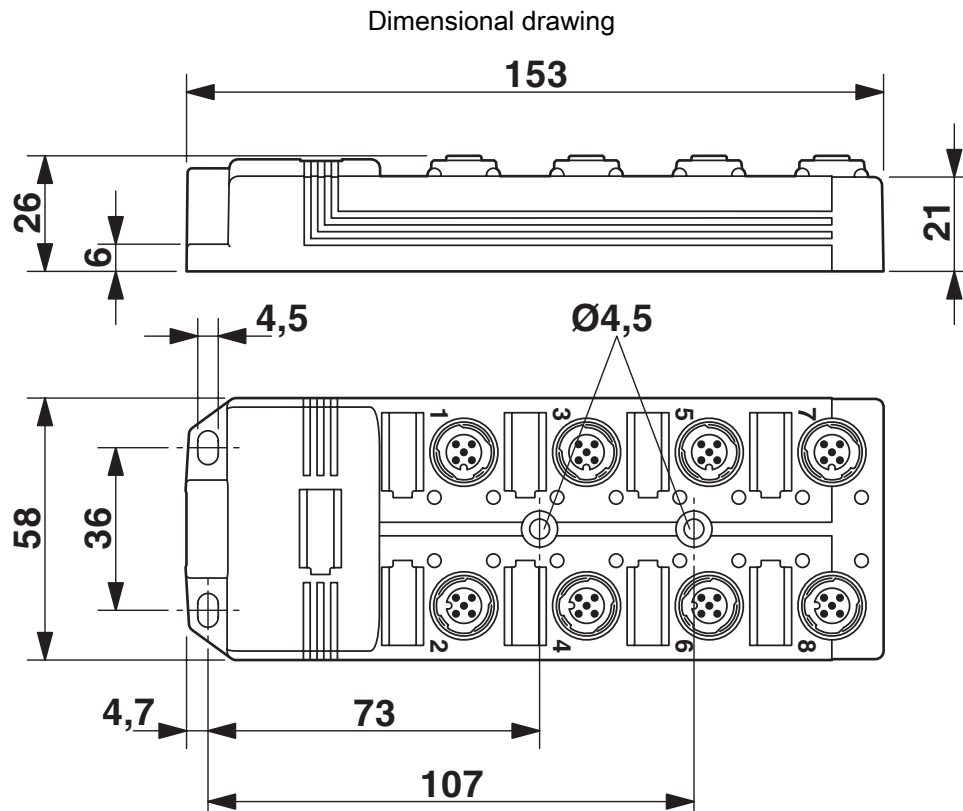
# SACB-8/ 8-L- 1,0PUR M23FS BK - Distributor box



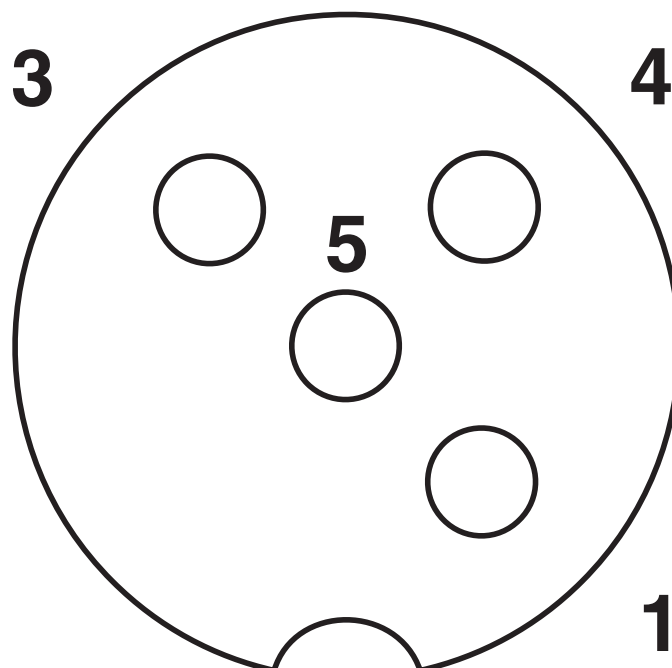
1572346

<https://www.phoenixcontact.com/us/products/1572346>

## Drawings



Schematic diagram



M12 slot, socket, 4-pos.

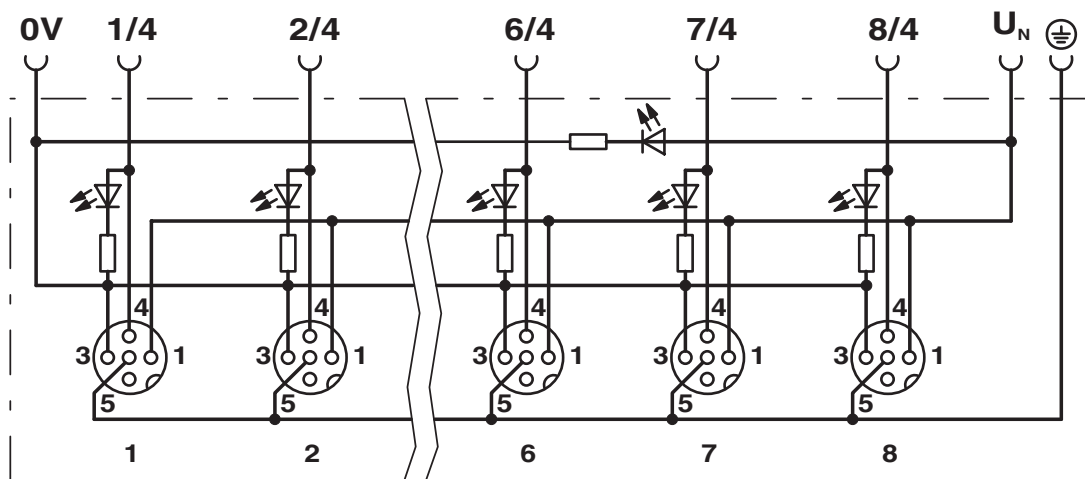
# SACB-8/ 8-L- 1,0PUR M23FS BK - Distributor box



1572346

<https://www.phoenixcontact.com/us/products/1572346>

Circuit diagram



# SACB-8/ 8-L- 1,0PUR M23FS BK - Distributor box



1572346

<https://www.phoenixcontact.com/us/products/1572346>

## Classifications

### ECLASS

ECLASS-13.0	27440108
ECLASS-15.0	27440108

1572346

<https://www.phoenixcontact.com/us/products/1572346>

## Environmental product compliance

### EU RoHS

Fulfills EU RoHS substance requirements	Yes, No exemptions
---	--------------------

### China RoHS

Environment friendly use period (EFUP)	EFUP-50
	An article-related China RoHS declaration table can be found in the download area for the respective article under "Manufacturer declaration". For all articles with EFUP-E, no China RoHS declaration table issued and required.

### EU REACH SVHC

REACH candidate substance (CAS No.)	No substance above 0.1 wt%
-------------------------------------	----------------------------

Phoenix Contact 2026 © - all rights reserved

<https://www.phoenixcontact.com>

Phoenix Contact USA  
586 Fulling Mill Road  
Middletown, PA 17057, United States  
(+717) 944-1300  
[info@phoenixcon.com](mailto:info@phoenixcon.com)