

SAC-5P-M12MR/ 5,0-520/M12FR VA - Sensor/actuator cable



1564765

<https://www.phoenixcontact.com/us/products/1564765>

Please be informed that the data shown in this PDF document is generated from our online catalog. Please find the complete data in the user documentation. Our general terms of use for downloads are valid.



Sensor/actuator cable, 5-position, PVC, gray RAL 7001, Plug angled M12, coding: A, on Socket angled M12, coding: A, cable length: 5 m

Commercial data

Item number	1564765
Packing unit	5 pc
Minimum order quantity	50 pc
Product key	AF1CDA
GTIN	4046356308878
Weight per piece (including packing)	283.68 g
Weight per piece (excluding packing)	283.68 g
Country of origin	PL

SAC-5P-M12MR/ 5,0-520/M12FR VA - Sensor/actuator cable



1564765

<https://www.phoenixcontact.com/us/products/1564765>

Technical data

Product properties

Product type	Sensor/actuator cable
Number of positions	5
No. of cable outlets	1
Shielded	no
Coding	A

Insulation characteristics

Overvoltage category	II
Degree of pollution	3

Material specifications

Flammability rating according to UL 94	HB
Seal material	NBR
Material of grip body	TPU, hardly inflammable, self-extinguishing
Contact material	CuSn
Contact surface material	Ni/Au
Contact carrier material	TPU GF
Material for screw connection	Stainless steel

Electrical properties

Insulation resistance	$\geq 100 \text{ M}\Omega$
Nominal voltage U_N	48 V AC
	60 V DC
Nominal current I_N	4 A

Mechanical properties

Mechanical data

Insertion/withdrawal cycles	≥ 100
-----------------------------	------------

Signaling

Status display	no
Status display present	no

Connector

Connection 1

Type	Plug angled M12
Number of positions	5
Coding type	A

Connection 2

Type	Socket angled M12
------	-------------------

SAC-5P-M12MR/ 5,0-520/M12FR VA - Sensor/actuator cable



1564765

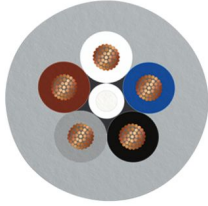
<https://www.phoenixcontact.com/us/products/1564765>

Number of positions	5
Coding type	A

Cable/line

Cable length	5 m
--------------	-----

PVC gray 5th conductor gray [520]

Dimensional drawing	
Cable weight	54 kg/km
Number of positions	5
Shielded	no
Cable type	PVC gray 5th conductor gray [520]
Conductor structure signal line	42x 0.10 mm
AWG signal line	22
Conductor cross-section	0.34 mm ²
Wire diameter incl. insulation	1.45 mm ±0.02 mm
External cable diameter	5.90 mm ±0.15 mm
Outer sheath, material	PVC
External sheath, color	gray RAL 7001
Conductor material	Bare Cu litz wires
Material, filler	PVC
Material wire insulation	PVC
Single wire, color	brown, white, blue, black, gray
Thickness, insulation	≥ 0.23 mm (Core insulation) ≥ 0.76 mm (Outer cable sheath)
Overall twist	5 wires around filler to the core
Length of twist, overall twist	55 mm
Max. conductor resistance	max. 58 Ω/km (at 20 °C)
Insulation resistance	≥ 1 GΩ*km (at 20 °C)
Nominal voltage, cable	≤ 300 V
Test voltage	≥ 3000 V
Flame resistance	As per UL-Style 2464
Ambient temperature (operation)	-25 °C ... 80 °C (cable, fixed installation) -5 °C ... 80 °C (Cable, flexible installation)

Environmental and real-life conditions

Ambient conditions

SAC-5P-M12MR/ 5,0-520/M12FR VA - Sensor/actuator cable



1564765

<https://www.phoenixcontact.com/us/products/1564765>

Degree of protection	IP65
	IP67
	IP68
	IP69K
Ambient temperature (operation)	-25 °C ... 90 °C (Plug / socket)
	-25 °C ... 80 °C (cable, fixed installation)
	-5 °C ... 80 °C (Cable, flexible installation)

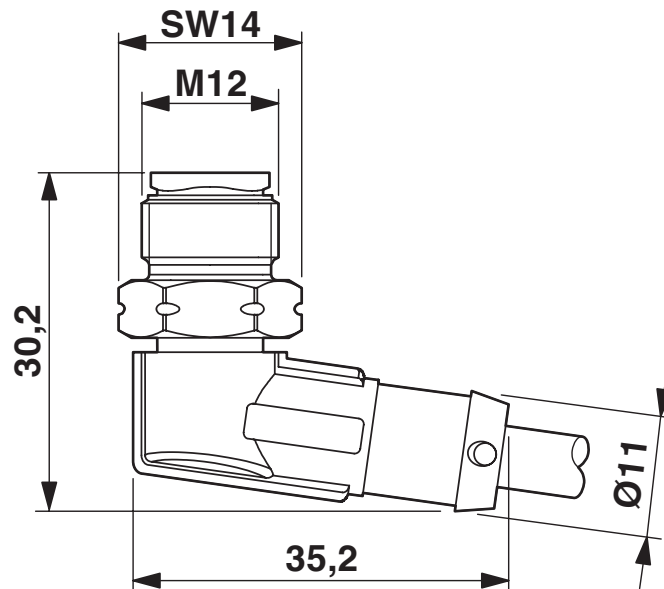
SAC-5P-M12MR/ 5,0-520/M12FR VA - Sensor/actuator cable

1564765

<https://www.phoenixcontact.com/us/products/1564765>

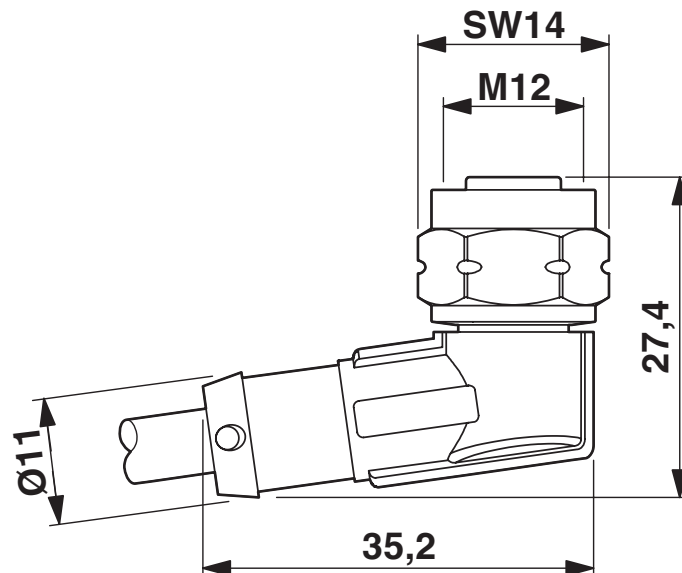
Drawings

Dimensional drawing



M12 x 1 male plug, angled

Dimensional drawing



M12 x 1 socket, angled

SAC-5P-M12MR/ 5,0-520/M12FR VA - Sensor/actuator cable

1564765

<https://www.phoenixcontact.com/us/products/1564765>

Schematic diagram



Pin assignment M12 male connector, 5-pos., A-coded, male side

Schematic diagram



Pin assignment M12 socket, 5-pos., A-coded, socket side view

SAC-5P-M12MR/ 5,0-520/M12FR VA - Sensor/actuator cable



1564765

<https://www.phoenixcontact.com/us/products/1564765>

Circuit diagram



Contact assignment of the M12 plug and the M12 socket

SAC-5P-M12MR/ 5,0-520/M12FR VA - Sensor/actuator cable



1564765

<https://www.phoenixcontact.com/us/products/1564765>

Classifications

ECLASS

ECLASS-13.0	27060311
ECLASS-15.0	27060311

UNSPSC

UNSPSC 21.0	31251501
-------------	----------

SAC-5P-M12MR/ 5,0-520/M12FR VA - Sensor/actuator cable



1564765

<https://www.phoenixcontact.com/us/products/1564765>

Environmental product compliance

EU RoHS

Fulfills EU RoHS substance requirements	Yes, No exemptions
---	--------------------

China RoHS

Environment friendly use period (EFUP)	EFUP-E
	No hazardous substances above the limits

EU REACH SVHC

REACH candidate substance (CAS No.)	No substance above 0.1 wt%
-------------------------------------	----------------------------

Phoenix Contact 2026 © - all rights reserved
<https://www.phoenixcontact.com>

Phoenix Contact USA
586 Fulling Mill Road
Middletown, PA 17057, United States
(+717) 944-1300
info@phoenixcon.com