

SACC-MS-17PCON SCO - Connector



1559602

<https://www.phoenixcontact.com/us/products/1559602>

Please be informed that the data shown in this PDF document is generated from our online catalog. Please find the complete data in the user documentation. Our general terms of use for downloads are valid.



Connector, Universal, 17-position, Plug straight M12 SPEEDCON, coding: A, Piercecon® fast connection, knurl material: Zinc die-cast, nickel-plated, external cable diameter 5.4 mm ... 8.2 mm

Your advantages

- Safe use in the field, thanks to a high degree of protection
- Save time, thanks to installation with SPEEDCON fast locking system
- Piercecon® connection: maximum contact density in a connector that can be assembled
- Save space – with high-pos. connectors

Commercial data

| | |
|--------------------------------------|---------------|
| Item number | 1559602 |
| Packing unit | 1 pc |
| Minimum order quantity | 1 pc |
| Sales key | BF32 |
| Product key | AF2CGA |
| GTIN | 4046356314831 |
| Weight per piece (including packing) | 36 g |
| Weight per piece (excluding packing) | 33.8 g |
| Customs tariff number | 85366990 |
| Country of origin | DE |

SACC-MS-17PCON SCO - Connector



1559602

<https://www.phoenixcontact.com/us/products/1559602>

Technical data

Notes

| | |
|---------------|---|
| Assembly note | NOTE: Observe the permissible bending radii when routing cables, since the degree of protection may be at risk if the bending forces are too high. Reduce mechanical loads upstream of the connector, e.g., by using cable ties. |
|---------------|---|

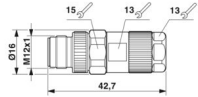
Product properties

| | |
|----------------------|---------------------------------|
| Product type | Circular connector (cable-side) |
| Sensor type | Universal |
| Number of positions | 17 |
| No. of cable outlets | 1 |
| Shielded | no |
| Coding | A |
| Cable outlet | straight |

Insulation characteristics

| | |
|----------------------|----|
| Overvoltage category | II |
| Degree of pollution | 3 |

Dimensions

| | |
|--------------------------|--|
| Dimensional drawing |  |
| Length | 42.7 mm |
| Wrench size, union nut | 13 mm |
| Wrench size, counter nut | 15 mm |

External dimensions

| | |
|------------------|-------------------|
| Outside diameter | 5.4 mm ... 8.2 mm |
|------------------|-------------------|

Housing

| | |
|------------------|-------|
| Diameter housing | 16 mm |
|------------------|-------|

Material specifications

| | |
|--|------------------------------|
| Flammability rating according to UL 94 | V0 |
| Seal material | FKM |
| Material of grip body | Zinc die-cast, nickel-plated |
| Contact material | CuZn |
| Contact surface material | Ni/Au |
| Contact carrier material | PA |

SACC-MS-17PCON SCO - Connector



1559602

<https://www.phoenixcontact.com/us/products/1559602>

| | |
|-------------------------------|------------------------------|
| Material for screw connection | Zinc die-cast, nickel-plated |
| Wire insulation material | PUR / PVC |

Connection data

Conductor connection

| | |
|------------------------------|---|
| Connection method | Piercecon® fast connection |
| Connection cross section | 0.14 mm ² ... 0.14 mm ² (without ferrule) |
| Connection cross section AWG | 26 ... 26 (without ferrule) |
| Tightening torque | 0.4 Nm (M12 knurl) |

Connection assignment

| | |
|---|------------|
| Contact Color (signal designation) Contact (optional) | 1 = BN |
| | 2 = BU |
| | 3 = WH |
| | 4 = GN |
| | 5 = PK |
| | 6 = YE |
| | 7 = BK |
| | 8 = GY |
| | 9 = RD |
| | 10 = VT |
| | 11 = GYPK |
| | 12 = RDBU |
| | 13 = WHGN |
| | 14 = BNGN |
| | 15 = WHYE |
| | 16 = YE BN |
| | 17 = WHGY |

Electrical properties

| | |
|--------------------------------|----------|
| Rated surge voltage | 0.8 kV |
| Contact resistance | ≤ 5 mΩ |
| Insulation resistance | ≥ 100 MΩ |
| Nominal voltage U _N | 30 V AC |
| | 30 V DC |
| Nominal current I _N | 1.5 A |

Mechanical properties

Mechanical data

| | |
|-----------------------------|-------|
| Insertion/withdrawal cycles | ≥ 100 |
|-----------------------------|-------|

Connector

Connection 1

SACC-MS-17PCON SCO - Connector



1559602

<https://www.phoenixcontact.com/us/products/1559602>

| | |
|-------------------|----------|
| Head design | Plug |
| Head cable outlet | straight |
| Head thread type | M12 |
| Head locking type | SPEEDCON |
| Coding | A |

Cable/line

| | |
|----------------------|-----------|
| Signal type/category | Universal |
|----------------------|-----------|

Environmental and real-life conditions

Ambient conditions

| | |
|---|----------------------------------|
| Degree of protection | IP67 |
| Ambient temperature (operation) (male connector/female connector) | -25 °C ... 85 °C (Plug / socket) |

Standards and regulations

M12

| | |
|--------------------------|-----------------|
| Standard designation | M12 connector |
| Standards/specifications | IEC 61076-2-101 |

SACC-MS-17PCON SCO - Connector

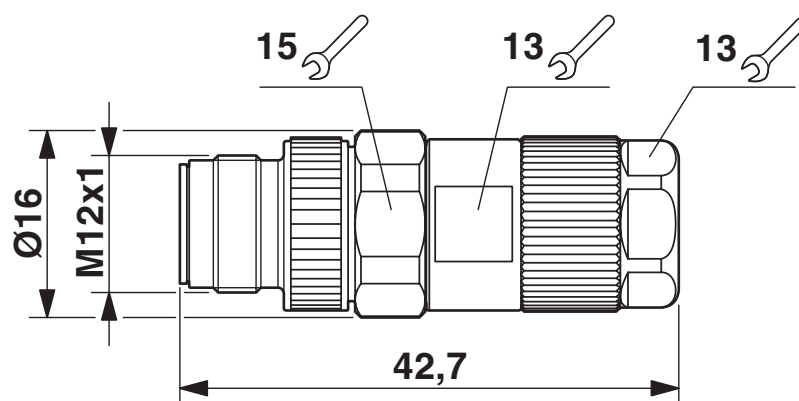
1559602

<https://www.phoenixcontact.com/us/products/1559602>



Drawings

Dimensional drawing

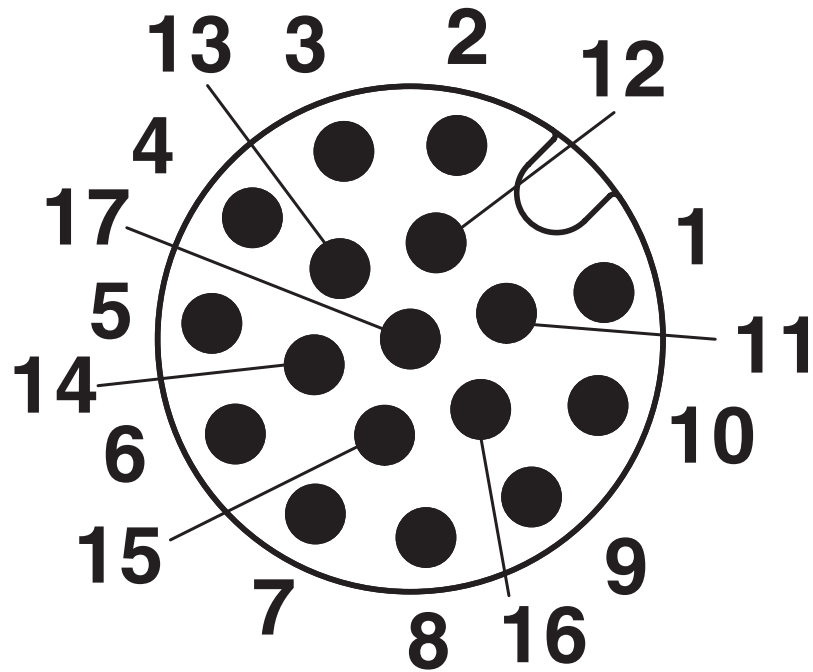


Plug, M12 x 1, straight

1559602

<https://www.phoenixcontact.com/us/products/1559602>

Schematic diagram



Pin assignment M12 male connector, 17-pos., male side view

SACC-MS-17PCON SCO - Connector



1559602

<https://www.phoenixcontact.com/us/products/1559602>

Classifications

ECLASS

| | |
|-------------|----------|
| ECLASS-13.0 | 27440116 |
| ECLASS-15.0 | 27440116 |

ETIM

| | |
|-----------|----------|
| ETIM 10.0 | EC002635 |
|-----------|----------|

UNSPSC

| | |
|-------------|----------|
| UNSPSC 21.0 | 39121400 |
|-------------|----------|

SACC-MS-17PCON SCO - Connector



1559602

<https://www.phoenixcontact.com/us/products/1559602>

Environmental product compliance

EU RoHS

| | |
|---|--------------------|
| Fulfills EU RoHS substance requirements | Yes, No exemptions |
|---|--------------------|

China RoHS

| | |
|--|--|
| Environment friendly use period (EFUP) | EFUP-E |
| | No hazardous substances above the limits |

EU REACH SVHC

| | |
|-------------------------------------|----------------------------|
| REACH candidate substance (CAS No.) | No substance above 0.1 wt% |
|-------------------------------------|----------------------------|

Phoenix Contact 2026 © - all rights reserved
<https://www.phoenixcontact.com>

Phoenix Contact USA
586 Fulling Mill Road
Middletown, PA 17057, United States
(+717) 944-1300
info@phoenixcon.com