

PROT-M12 FB - Screw plug

1555538

<https://www.phoenixcontact.com/us/products/1555538>

Please be informed that the data shown in this PDF document is generated from our online catalog. Please find the complete data in the user documentation. Our general terms of use for downloads are valid.



M12 high-grade steel screw plug, for unoccupied M12 sockets of the sensor/actuator cables, boxes and flush-type connectors for the food industry

Your advantages

- High degree of protection and robustness ensure safe use in the food industry
- Reliable protection of unoccupied slots during transport and use in the field
- Resistant and durable due to the use of corrosion- and acid-resistant V4A stainless steel
- Resistant to commercially available cleaning agents
- Easy to clean, thanks to the special hygienic design
- Easy assembly using a screwdriver

Commercial data

Item number	1555538
Packing unit	5 pc
Minimum order quantity	5 pc
Sales key	BF46
Product key	AF3ZAX
GTIN	4046356170543
Weight per piece (including packing)	5.73 g
Weight per piece (excluding packing)	5.4 g
Customs tariff number	73269098
Country of origin	DE

PROT-M12 FB - Screw plug

1555538

<https://www.phoenixcontact.com/us/products/1555538>



Technical data

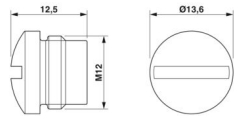
Product properties

Product type	Plug for cable screw gland
Thread type	M12

Connection data

Tightening torque	0.4 Nm
-------------------	--------

Dimensions

Dimensional drawing	
Diameter	13.6 mm

Material specifications

Material for screw connection	Stainless steel
-------------------------------	-----------------

Environmental and real-life conditions

Ambient conditions

Degree of protection	IP65
	IP67
	IP69K

PROT-M12 FB - Screw plug

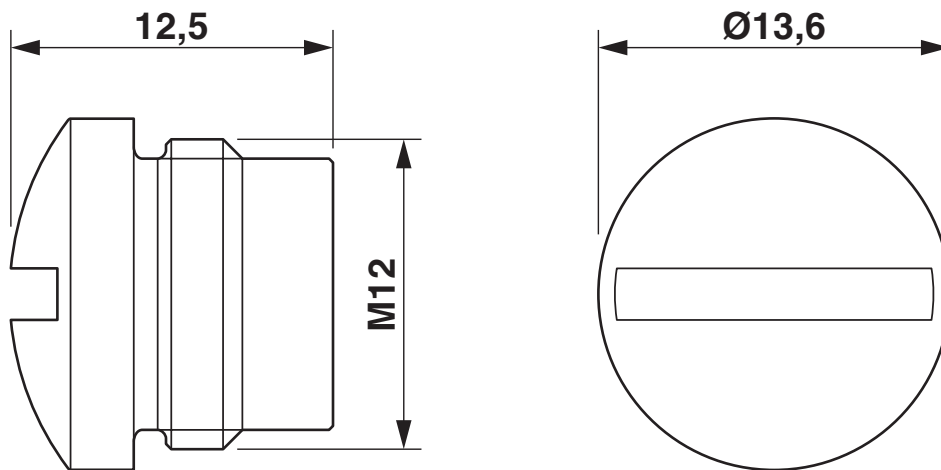
1555538

<https://www.phoenixcontact.com/us/products/1555538>



Drawings

Dimensional drawing



PROT-M12 FB - Screw plug

1555538

<https://www.phoenixcontact.com/us/products/1555538>



Classifications

ECLASS

ECLASS-13.0	23111190
ECLASS-15.0	27440192

ETIM

ETIM 10.0	EC002943
-----------	----------

UNSPSC

UNSPSC 21.0	31261500
-------------	----------

PROT-M12 FB - Screw plug



1555538

<https://www.phoenixcontact.com/us/products/1555538>

Environmental product compliance

EU RoHS

Fulfills EU RoHS substance requirements	Yes, No exemptions
---	--------------------

China RoHS

Environment friendly use period (EFUP)	EFUP-E
	No hazardous substances above the limits

EU REACH SVHC

REACH candidate substance (CAS No.)	No substance above 0.1 wt%
-------------------------------------	----------------------------

Phoenix Contact 2026 © - all rights reserved
<https://www.phoenixcontact.com>

Phoenix Contact USA
586 Fulling Mill Road
Middletown, PA 17057, United States
(+717) 944-1300
info@phoenixcon.com