

# SAC-12P-10,0-PVC/FR SCO - Sensor/actuator cable



1554937

<https://www.phoenixcontact.com/us/products/1554937>

Please be informed that the data shown in this PDF document is generated from our online catalog. Please find the complete data in the user documentation. Our general terms of use for downloads are valid.



Sensor/actuator cable, 12-position, PVC, black RAL 9005, free cable end, on Socket angled M12 SPEEDCON, coding: A, cable length: 10 m

## Your advantages

- Easy and safe: 100 % electrically tested plug-in components
- Save time, thanks to installation with SPEEDCON fast locking system
- Save space – with high-pos. connectors

## Commercial data

Item number	1554937
Packing unit	1 pc
Minimum order quantity	1 pc
Sales key	BF03
Product key	AF1CGA
GTIN	4046356176538
Weight per piece (including packing)	501.3 g
Weight per piece (excluding packing)	488.8 g
Customs tariff number	85444290
Country of origin	DE

## Technical data

### Product properties

Product type	Sensor/actuator cable
Application	Standard
Number of positions	12
No. of cable outlets	1
Shielded	no
Coding	A

### Insulation characteristics

Overvoltage category	II
Degree of pollution	3

### Material specifications

Flammability rating according to UL 94	HB
Seal material	NBR
Material of grip body	TPU, hardly inflammable, self-extinguishing
Contact material	CuZn
Contact surface material	Ni/Au
Contact carrier material	TPU GF
Material for screw connection	Zinc die-cast, nickel-plated

### Electrical properties

Insulation resistance	≥ 100 MΩ
Nominal voltage $U_N$	30 V AC
	30 V DC
Nominal current $I_N$	1.5 A

### Signaling

Status display	no
Status display present	no

### Connection data

#### Conductor connection

Tightening torque	0.4 Nm (M12 connector)
-------------------	------------------------

### Connector

#### Connection 1

Type	free cable end
------	----------------

#### Connection 2

Type	Socket angled M12 SPEEDCON
Number of positions	12

# SAC-12P-10,0-PVC/FR SCO - Sensor/actuator cable



1554937

<https://www.phoenixcontact.com/us/products/1554937>

Locking type	SPEEDCON
Coding type	A

## Cable/line

Cable length	10 m
--------------	------

### PVC black [PVC]

Dimensional drawing	
Number of positions	12
Shielded	no
Cable type	PVC black [PVC]
Conductor structure signal line	18x 0.10 mm
AWG signal line	26
Conductor cross-section	12x 0.14 mm <sup>2</sup> (Signal line)
Wire diameter incl. insulation	1 mm ±0.05 mm (Signal line)
External cable diameter	5.80 mm
Outer sheath, material	PVC
External sheath, color	black RAL 9005
Conductor material	Bare Cu litz wires
Material wire insulation	PVC
Single wire, color	white, brown, green, yellow, gray, pink, blue, red, black, violet, gray/pink, red/blue
Overall twist	12 wires twisted in layers
Max. conductor resistance	≤ 142 Ω/km (at 20 °C)
Insulation resistance	> 10 MΩ*km
Nominal voltage, cable	250 V
Test voltage Core/Core	1500 V AC
Smallest bending radius, fixed installation	29 mm
Smallest bending radius, movable installation	87 mm
Flame resistance	DIN EN 50265-2-1
Ambient temperature (operation)	-25 °C ... 80 °C (cable, fixed installation) -5 °C ... 80 °C (Cable, flexible installation)

## Environmental and real-life conditions

### Ambient conditions

Degree of protection	IP65
	IP67

# SAC-12P-10,0-PVC/FR SCO - Sensor/actuator cable



1554937

<https://www.phoenixcontact.com/us/products/1554937>

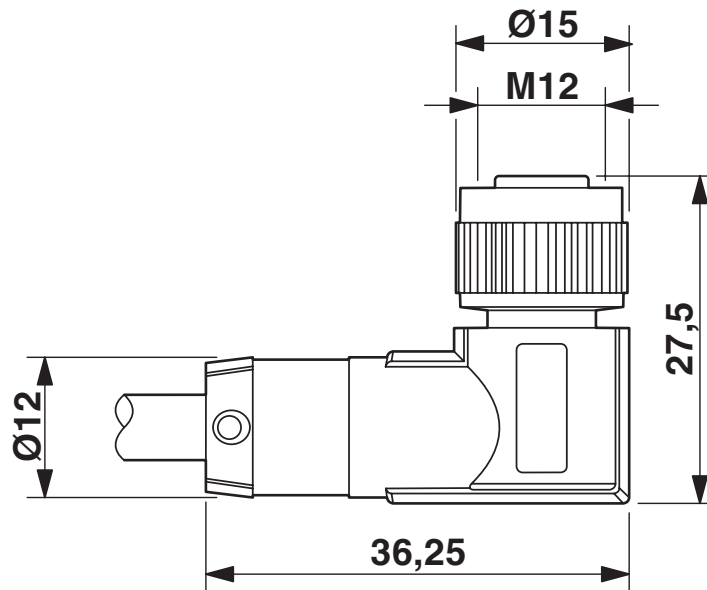
	IP68
Ambient temperature (operation) (male connector/female connector)	-25 °C ... 85 °C (Plug / socket)
Ambient temperature (operation) (Cable, fixed installation)	-25 °C ... 80 °C (cable, fixed installation)
Ambient temperature (operation) (Cable, flexible installation)	-5 °C ... 80 °C (Cable, flexible installation)

## Standards and regulations

Standard designation	M12 connector
Standards/specifications	IEC 61076-2-101

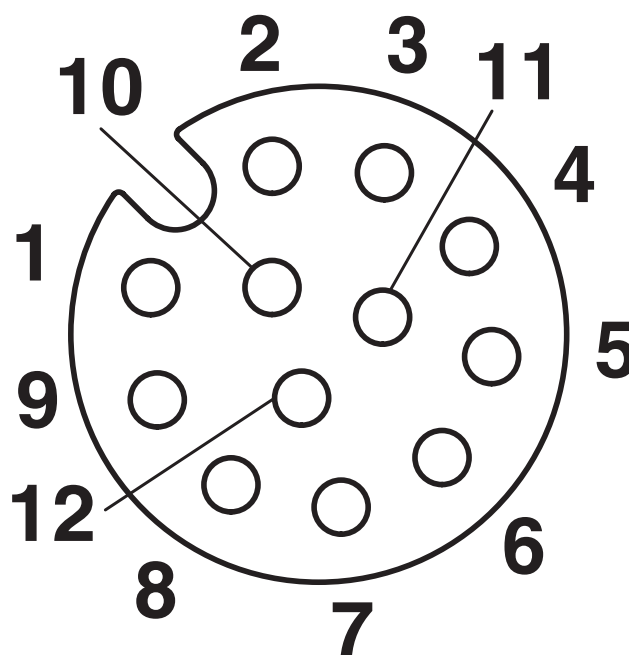
Drawings

Dimensional drawing



M12-SPEEDCON socket, angled

Schematic diagram



Pin assignment M12, 12-pos., female side view

# SAC-12P-10,0-PVC/FR SCO - Sensor/actuator cable



1554937

<https://www.phoenixcontact.com/us/products/1554937>

Circuit diagram



Contact assignment of the M12 socket

# SAC-12P-10,0-PVC/FR SCO - Sensor/actuator cable



1554937

<https://www.phoenixcontact.com/us/products/1554937>

## Approvals

To download certificates, visit the product detail page: <https://www.phoenixcontact.com/us/products/1554937>

 <b>UL Listed</b> Approval ID: E221474				
	Nominal voltage $U_N$	Nominal current $I_N$	Cross section AWG	Cross section $\text{mm}^2$
keine				
	30 V	1 A	-	-

 <b>EAC-RoHS</b> Approval ID: RU D-DE.HB35.B.00387	
--	--

# SAC-12P-10,0-PVC/FR SCO - Sensor/actuator cable



1554937

<https://www.phoenixcontact.com/us/products/1554937>

## Classifications

### ECLASS

ECLASS-13.0	27060311
ECLASS-15.0	27060311

### ETIM

ETIM 10.0	EC001855
-----------	----------

### UNSPSC

UNSPSC 21.0	26121600
-------------	----------

# SAC-12P-10,0-PVC/FR SCO - Sensor/actuator cable



1554937

<https://www.phoenixcontact.com/us/products/1554937>

## Environmental product compliance

### EU RoHS

Fulfills EU RoHS substance requirements	Yes, No exemptions
---	--------------------

### China RoHS

Environment friendly use period (EFUP)	EFUP-E
	No hazardous substances above the limits

### EU REACH SVHC

REACH candidate substance (CAS No.)	No substance above 0.1 wt%
-------------------------------------	----------------------------

### EF3.1 Climate Change

CO2e kg	5.519 kg CO2e
---------	---------------

Phoenix Contact 2026 © - all rights reserved  
<https://www.phoenixcontact.com>

Phoenix Contact USA  
586 Fulling Mill Road  
Middletown, PA 17057, United States  
(+717) 944-1300  
[info@phoenixcon.com](mailto:info@phoenixcon.com)